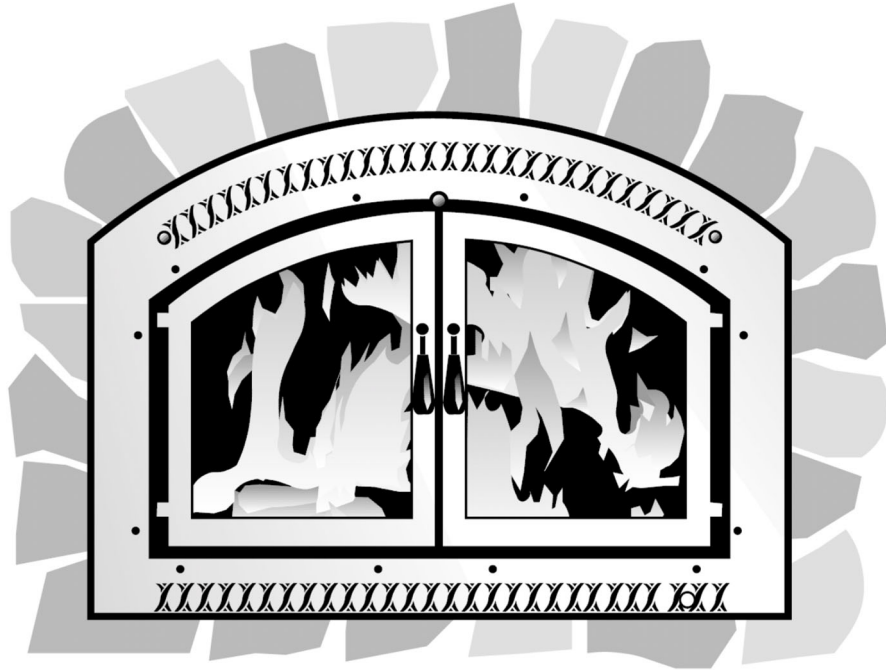


FIREPLACE **XTRORDINAIR**



36-Elite Owner's Manual

SAFETY NOTICE:

If this appliance is not properly installed, a house fire may result. For your safety, follow the installation directions. Contact local building or fire officials about restrictions and installation inspection requirements in your area.



12521 Harbour Reach Drive
Mukilteo, WA 98275

French language manuals at fireplacex.com
Manuels de langue Française à fireplacex.com

© Copyright 2019, T.I.
\$10.00 100-01516
8/8/2022



Listed by
Omni-Test Laboratories, Inc.
Report # 0028WF060S, 0028WF060E
Tested to: U.L. 127-2015
and portions of U.L. 1482 & 907

Introduction

We welcome you as a new owner of a Fireplace Xtordinaire wood fireplace. In purchasing a Fireplace Xtordinaire you have joined the growing ranks of concerned individuals whose selection of an energy system reflects both a concern for the environment and aesthetics. The Fireplace Xtordinaire is one of the finest home heaters the world over. This manual will explain the installation, operation, and maintenance of this fireplace. Please familiarize yourself with the Owner's Manual before operating your heater and save the manual for future reference. Included are helpful hints and suggestions which will make the operation and maintenance of your new fireplace an easier and more enjoyable experience. We offer our continual support and guidance to help you achieve the maximum benefit and enjoyment from your heater.

Important Information

No other Fireplace Xtordinaire wood fireplace has the same serial number as yours. The serial number is behind the left side door just inside the firebox.

This serial number will be needed in case you require service of any type.

Model: _____

Serial Number: _____

Purchase Date: _____

Purchased From: _____

Register your warranty online at:

traviswarranty.com

To receive full warranty coverage, you will need to show evidence of the date you purchased your heater. Do not mail your Bill of Sale to us.

We suggest that you attach your Bill of Sale to this page so that you will have all the information you need in one place should the need for service or information occur.

- Introduction 2
- Important Information 2
- Features: 6
- Heating Specifications..... 6
- Electrical Specifications: 6
- Packing List..... 6
- Emissions 6
- Safety Notice: 7
- Before Your First Fire..... 7
 - Clean Any Gold Surfaces 7
 - Verify the Installation 7
 - Curing the Paint..... 7
 - Carbon Monoxide (CO) Emissions..... 7
 - Over-Firing the Fireplace (Over-Firing may void your warranty)..... 8
 - Operating the Fireplace During a Power Outage 8
 - Drafting Performance 8
- Opening the Doors 9
 - Opening the Doors while the Fireplace is Hot..... 9
- Location of Controls 10
- Before Starting a Fire 10
- Maintaining Catalytic Burn-Off 11
- Adjusting the Burn Rate 12
- Blower Operation 12
 - Optional Summer Fan Switch..... 12
- Understanding Your Heater’s Combustion System 13
- Burning Your Heater 13
- Normal Operating Sounds..... 14
- Hints for Burning 14
- Selecting Wood 15
 - Dry Wood is Key..... 15
 - Testing Wood Moisture 15
 - Why Dry Wood is Key 15
 - Wood Cutting and Storage 15
 - Don’t Burn Treated Wood, Wax Logs, Coal, Garbage, Etc..... 16
- Daily Maintenance (while stove is in use)..... 18
 - Remove Ash (if necessary) 18
 - Clean the Glass (if necessary) 18
- Catalytic Combustor Replacement 20
 - Check Chimney for Creosote Build-Up 22
- Replacement Parts List..... 22
- Years 1 & 2 - COVERAGE: PARTS & LABOR..... 24
 - One-way freight allowance on pre-authorized repair done at factory is covered..... 24
- Years 3 Through 5 - COVERAGE: PARTS & LABOR..... 24
- Years 6 & 7 - COVERAGE: PARTS ONLY..... 24
- CONDITIONS & EXCLUSIONS 24
- IF WARRANTY SERVICE IS NEEDED: 24
- Summer Fan Switch..... 25



- This fireplace must be installed by a qualified installer. Installation instructions are shipped inside the fireplace and must be strictly adhered to.



- Contact your local building officials to obtain a permit and information on installation restrictions or inspection requirements in your area. Notify your insurance company of this fireplace.



- This fireplace is designed and listed for cord wood only. Burning of any other material will void the warranty and listing and may create a fire hazard.



- Do not store gasoline or other flammables near the fireplace. Do not use gasoline or other flammable liquids to start or invigorate a fire.



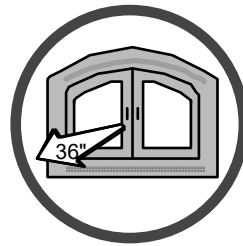
- The door(s) must be closed and latched during operation. Open the door(s) only when re-loading the fireplace or conducting maintenance. This prevents smoke, embers from entering the room.



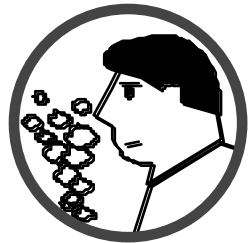
- Do not touch the hot surfaces of the fireplace. Educate all children of the danger of a high-temperature fireplace. Young children should be supervised when they are in the same room as the fireplace.



- Ashes must be disposed of in a metal container with a tight fitting lid. Place the container on a non-combustible surface until the ashes have fully cooled before final disposal.



- Keep all furniture or other combustible items at least 36" away from the front of the fireplace (this includes drapes or doors that may swing within 36" of the front of fireplace).



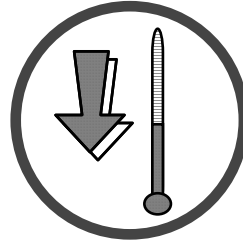
- If you smell smoke, see the section "Smoke Smell in Home" on page 13 of this manual for a remedy.



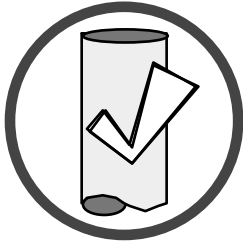
- Do not place clothing or other flammable items on or near the fireplace.
- Never block free airflow through the vents.



Do not repair, alter, or replace any part of the fireplace and chimney unless instructions are given in this manual. All other work must be done by a qualified service person.



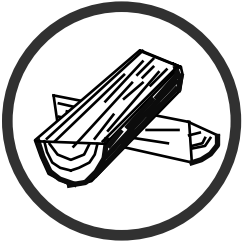
Allow the fireplace to cool before carrying out any maintenance or cleaning.



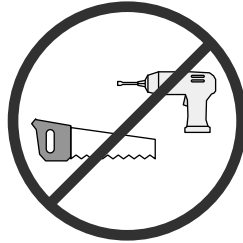
The chimney must be inspected twice a year for creosote build-up or chimney damage. Creosote build-up must be removed and damage fixed prior to using the fireplace.



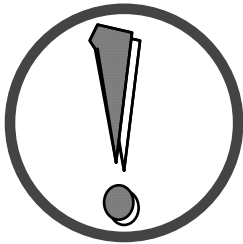
Do not throw this manual away. This manual has important operating and maintenance instructions that you will need at a later time. Always follow the instructions in this manual.



This fireplace was designed to burn solid wood fuel only (cord wood). Never use treated wood, wax logs, coal, garbage, or other materials. These materials will void the safety listing and may damage the combustor.



This wood heater has a manufacturer-set minimum low burn rate that must not be altered. It is against federal regulations to alter this setting or otherwise operate this wood heater in a manner inconsistent with operating instructions in this manual.



Travis Industries, Inc. grants no warranty, implied or stated, for the installation or maintenance of your fireplace, and assumes no responsibility of any consequential damage(s).

Smoke and CO Detectors: Make sure your home has a working smoke detector, especially near any bedrooms. We recommend having a smoke and/or CO detector in the same room as the wood heater for additional safety.

Proposition 65 Warning: Fuels used in gas, woodburning or oil fired appliances, and the products of combustion of such fuels, contain chemicals known to the State of California to cause cancer, birth defects and other reproductive harm. California Health & Safety Code Sec. 25249.6

Travis Wood Burning Fireplaces, Stoves and Inserts are protected by one or more of the following patents; U.S. 9,170,025 4,665,889 as well as other U.S. and Foreign Patents pending.

This wood heater contains a catalytic combustor, which needs periodic inspection and replacement for proper operation. It is against federal regulations to operate this wood heater in a manner inconsistent with operating instructions in this manual, or if the catalytic element is deactivated or removed.

This wood heater needs periodic inspection and repair for proper operation. It is against federal regulations to operate this wood heater in a manner inconsistent with operating instructions in this manual.

Features:

- Long burn time - up to 10 Hours
- Large glass doors for maximum visibility
- Firebrick lining for firebox protection
- 388 CFM blower for convection heat and outside combustion air
- Thermostat for automatic control of the blower

Heating Specifications

Approximate Heating Capacity (in square feet)*	up to 2,500
Maximum Burning Time	Up to 10 Hours
EPA Tested Cord Wood BTUs per Hour**	17,380 to 69,747

* Heating capacity will vary depending on the home's floor plan, degree of insulation, and the outside temperature. It is also affected by the quality and moisture level of the fuel.

** EPA tests to determine BTU output are achieved with a single load of wood at each burn rate. At home, you are likely to add more wood to your fireplace to maintain your desired comfort level. By the simple process of loading your stove with additional wood, you could achieve up to a 20% higher heat output than established during EPA testing.

This model was tested for efficiency using method B415.1-10 and was determined to have a weighted average Higher Heating Value (HHV) Overall Heating Efficiency (OHE) of 72.1%. Overall efficiency of the heater may be lower if the heater is operated without a heat exchange blower or with the installed heat exchange blower turned off.

The location of your wood heater in your home will decide how affectively the heat produced will spread throughout your house. Attention to the home design with consideration of natural convection and air circulation should be taken into account when choosing the placement of your heater within the home.

Electrical Specifications:

The blower on "HIGH" draws 1.1 Amps on 120 Volts A.C. (approximately 130 watts).

Packing List**Shipped with the Fireplace:**

- Installation Manual
- Grate
- Baffle
- Blower Assembly
- Ember Strip
- Log Retainer
- Flex Duct w/ start collar – 3' Length, 6" Dia (For Blower)
- Two 10' Flex Ducts, 6" Diameter (For Cooling Vents)
- Two Vent Hoods (For Cooling Vents)
- Two Vent Hood Storm Collars (For Cooling Vents)
- Catalytic Temperature Reader (w. installation inst.)

Shipped with the Faceplate:

- Faceplate (two switch plate screws are attached)
- Switch Plate (includes blower rheostat)
- Faceplate Screws

Shipped with the Door(s):

- Owner's Manual
- Installation Hardware Pack
- Pair of Gloves
- Efficiency and Registration Cards

Emissions

This heater meets the 2020 U.S. EPA's cord wood emission limits for wood heaters. Tested to EPA Alt-125, ASTM E3053-17, ASTM 2515-11, CSA B415.1-10 this heater has been shown to deliver heat at rates ranging from 17,380 to 69,747 BTU/hr and an emission value of 1.34g/h. .Report No. 0028WF060E



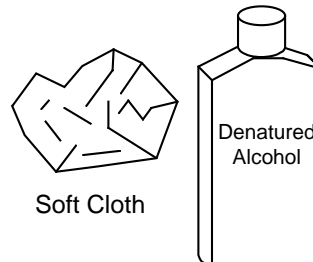
Safety Notice:

- **If this appliance is not properly installed, a house fire may result. For your safety, follow the installation directions. Contact local building or fire officials about restrictions and installation inspection requirements in your area.**
- **Read and follow all of the warnings on pages 2 and 3 of this manual.**

Before Your First Fire

Clean Any Gold Surfaces

If you have an optional gold face, clean the surface prior to starting the fireplace. Any marks left on the gold may become etched-in by the heat of the fireplace. Use denatured alcohol and a soft cloth to clean.



Verify the Installation

Before starting the fireplace, verify that the fireplace is properly installed and all of the requirements in the ***36-Elite-ZC Installation Manual*** have been followed.

Keep all flammables 36" away from the front of the fireplace (drapes, furniture, clothing, etc.).

Do not use a fireplace insert or other products not specified for use in this fireplace.

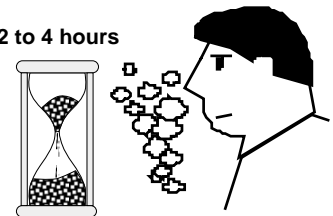
Curing the Paint

Follow the steps below to cure the paint (first fire):

- a) Open doors and windows in the room to ventilate the heater during the curing process.
- b) Vacate the room. The fumes from the initial heating process are non-toxic but may be unpleasant.
- c) Slowly bring the heater to a medium burn (400°F/204°C) for 45 minutes. Then increase the burn temperature to a hot burn (600°F/315°C) for an additional 45 minutes. This will cure the paint.

Door Gasket - The door gasket can adhere to the paint on the front of the heater. To prevent this, carefully open and close the door a few times during the paint curing process.

2 to 4 hours



Carbon Monoxide (CO) Emissions

Smoke from wood heaters contain CO. This gas is an indication of incomplete combustion and is detrimental to the environment and to your health. The more visible the smoke, the higher the CO levels. Burning dry wood is the most significant step you can take to reduce CO emissions. It is also important to understand the combustion process so you can burn your heater efficiently. Read the manual thoroughly so that you can operate your heater in the most efficient and clean manner possible.

Over-Firing the Fireplace (Over-Firing may void your warranty)

DO NOT OVERFIRE THIS HEATER: Attempts to achieve heat output rates that exceed heater design specifications can result in permanent damage to the heater.

This fireplace was designed to operate at a high temperature. But due to differences in vent configuration, fuel, and draft, this appliance can be operated at an excessive temperature. If the area behind the faceplate or other area starts to glow red, you are over-firing the fireplace (this may damage the optional gold surface, internal components, and void the warranty). Do not burn excessively large fires for a long time. Shut the air control down and allow the fireplace to cool if you detect over-firing.

Operating the Fireplace During a Power Outage

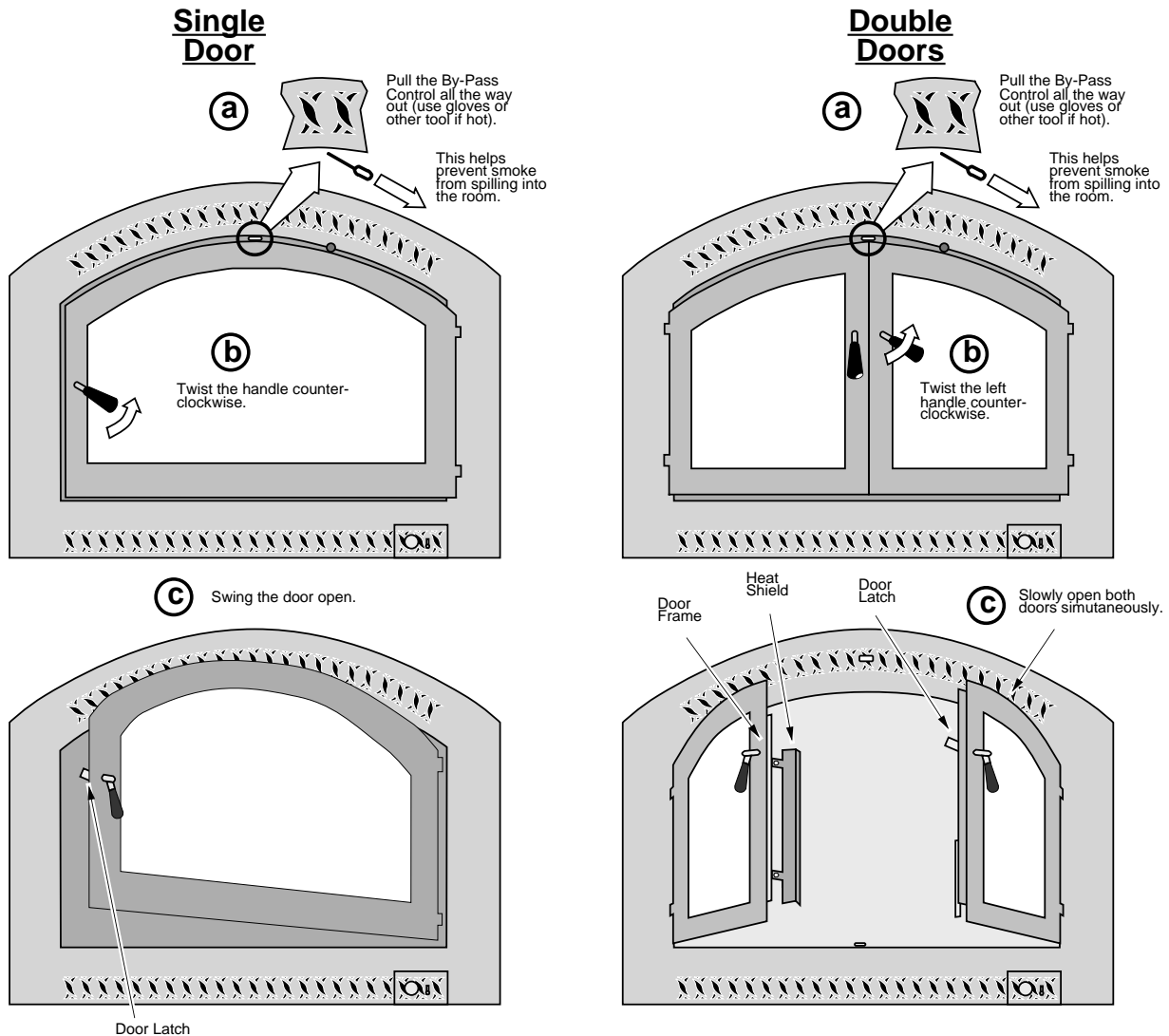
This fireplace includes a blower to dissipate heat from the firebox. During power outages build small to medium-sized fires to prevent the fireplace from over-firing (especially if you have a gold face).

Drafting Performance

Draft is the force that moves air from the appliance up through the chimney. The amount of draft in your chimney depends on the length of the chimney, local geography, nearby obstructions and other factors. Too much draft may cause excessive temperatures in the appliance and may damage the heater. Inadequate draft may cause back puffing into the room and 'plugging' of the chimney. Inadequate draft will cause the appliance to leak smoke into the room through appliance and chimney connector joints. An uncontrollable burn or excessive temperature indicates excessive draft.

Opening the Doors

Follow the directions below to open and close the doors.



Closing the Door

Make sure the handle is rotated up to prevent the door latch from striking the face. This will prevent damage to the face.

Closing the Door

Close both doors simultaneously.

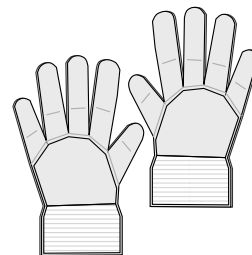
Make sure the door latch fits between the heat shield and door frame of the left door.

Warning: When closing the doors, make sure the door latch does not strike the front of the left side door. This will damage the finish on the doors.

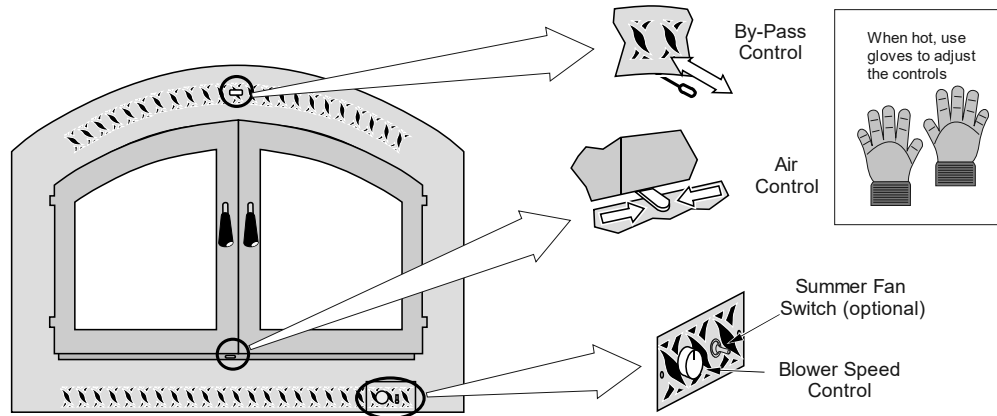
Opening the Doors while the Fireplace is Hot

Warning: Open the by-pass prior to opening the doors. This will help prevent smoke from entering the room. Also, open the doors slowly, to allow airflow inside the firebox to stabilize.

Warning: The door handles becomes hot during operation - use gloves if necessary.

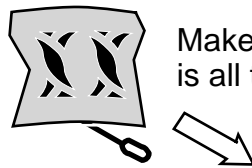


Location of Controls

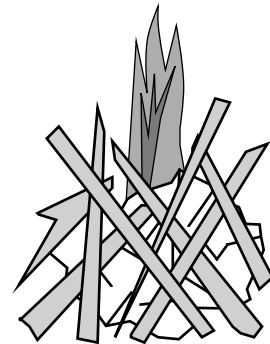


Before Starting a Fire

- Make sure the by-pass is open while starting a fire (leave it open for the first 15 minutes).



- Make sure the air control is on high. If additional air is needed, open the doors 1/4" during the first five minutes of start-up.
- If the smoke does not pass up the chimney, ball up one sheet of newspaper, place it in the center of the firebox and light it. This should start the chimney drafting (this eliminates "cold air blockage").
- **Never** use gasoline, gasoline-type lantern fuel, kerosene, charcoal lighter fluid, or similar liquids to start or "freshen up" a fire in this fireplace. Keep all such liquids well away from the fireplace while it is in use.
- If using a firestarter, use only products specifically designed for fireplaces - follow the manufacturer's instructions carefully.
- Use plenty of kindling to ensure the fireplace reaches a proper temperature. Once the kindling is burning rapidly, place a few larger pieces of wood onto the fire.



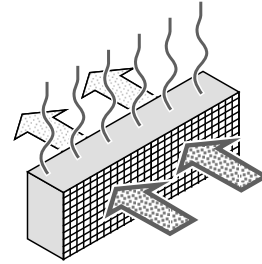
Maintaining Catalytic Burn-Off

Warning:

The bypass control becomes hot during operation - use gloves or a tool to prevent burns.

The catalytic combustor takes dirty smoke and turns it into extra heat and cleaner emissions.

NOTE: If the combustor is engaged (bypass closed) when the fireplace is still cool, it will not work, leading to dirty smoke, no extra heat, and a dirtier combustor.



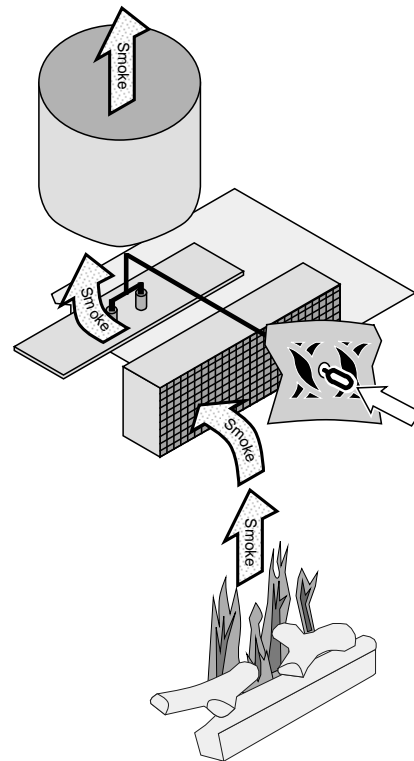
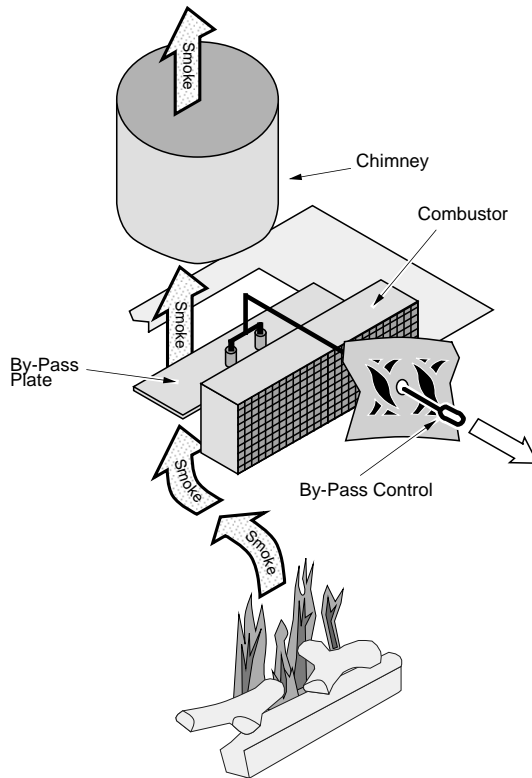
This fireplace uses a catalytic combustor to increase heat transfer to the room and reduce emissions.

Follow the directions below to utilize the combustor to its fullest potential.

- Keep the by-pass open (pulled out) until the fireplace becomes hot (approximately 15 to 30 minutes).
- Close the by-pass (push in) when the fireplace is hot.
- Keep the by-pass closed (pushed in) while the fireplace is operating, except when re-loading.

With the by-pass open (pulled out), the smoke passes through the by-pass and does not go through the combustor.

With the by-pass closed (pushed in), the smoke passes through the combustor.



How to Check if your Combustor is Working

A combustor temperature probe is included with the fireplace to monitor the combustor. After the bypass is engaged, the combustor temperature should rise, showing combustor operation. Combustor temperatures over 500° F (260° C), indicate the combustor is working and igniting unburnt fuel.

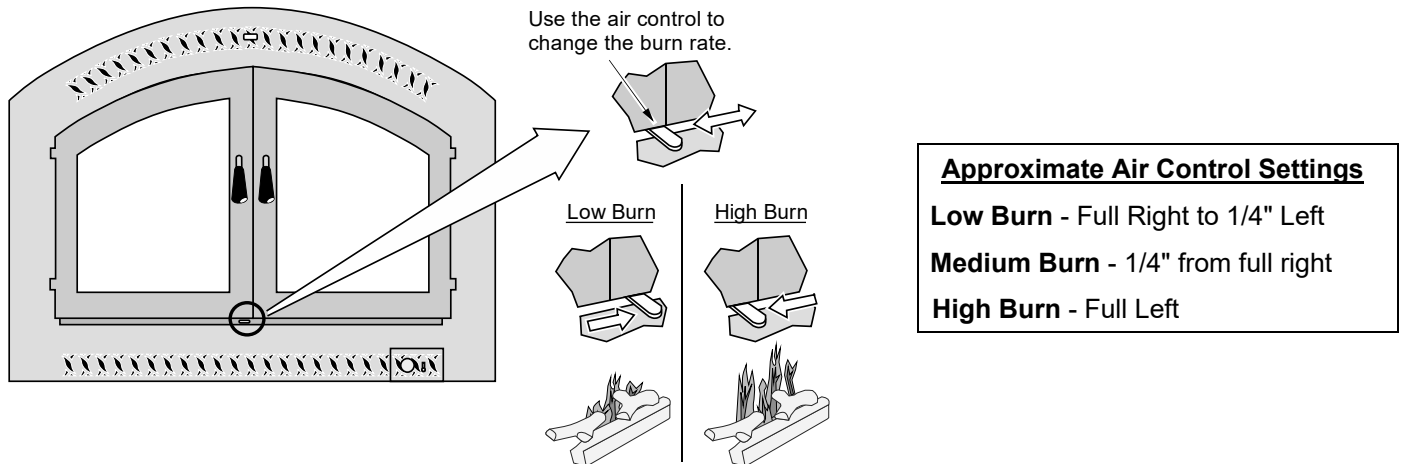
The combustor can also be viewed through the glass from below. You will notice the combustor glowing red when the combustor is working effectively.



Press this ON/HOLD button to view the temperature

Adjusting the Burn Rate

Use the air control slider to control the burn rate of the fireplace. See the illustration below for details.



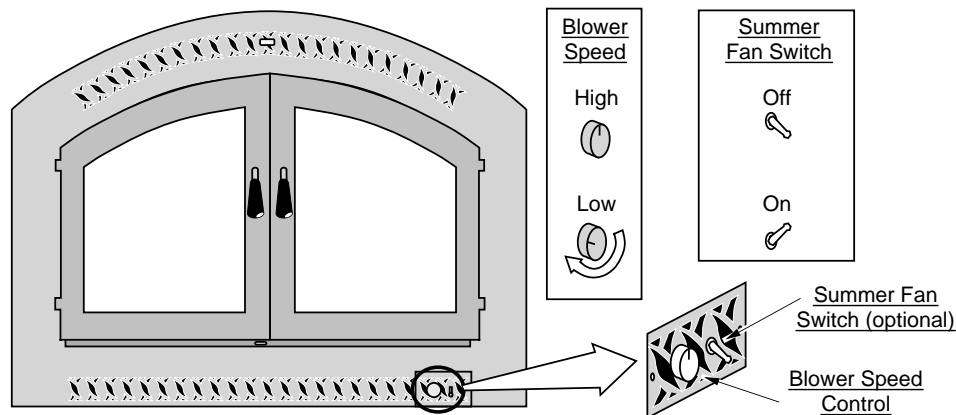
Warning: The air control becomes hot during operation - use gloves or a tool to prevent burns.

Hint: The air control may take several minutes to influence the burn rate. When making adjustments, you may wish to let the fireplace burn for 10 minutes to gauge performance.

Hint: The blower may be used to affect heat output (i.e.: to reduce heat output, turn the blower down).

Blower Operation

The blower will turn on once the fireplace is up to temperature. This is typically 15 to 30 minutes after starting the fire. Follow the directions below to alter the blower speed.



Note: The blower will shut off when the doors are opened.

Optional Summer Fan Switch

The optional summer fan switch allows the blower to be turned on even if the fireplace is cool. This allows the blower to circulate air into the home during summer months.

Understanding Your Heater's Combustion System

This heater uses a dual combustion system detailed below:

Primary Combustion: This is the combustion (fire) that takes place directly on the wood. Primary combustion determines how fast the fire burns. Air for primary combustion is supplied through the air control. When you adjust the air control you control the amount of air that reaches the fire and creates primary combustion. The air control supplies air to the air wash (the air holes above the door opening – used to help clean the glass) and through the pilot orifice (center bottom of the door opening). By using the air control, and supplying air through these two openings, you control primary combustion.

Catalytic Combustion: This is the combustion (fire) that does not contact the wood. Catalytic combustion takes place inside the catalytic combustor and is not viewable (you may, however, see the combustor glow). It burns the visible emissions or smoke that is not consumed during primary combustion. Catalytic combustion can be monitored by using the included temperature meter. Your catalytic combustor is working when the out put temperature is above 500° F. (260°C).

Items to Consider:

- During medium and high burn rates the stove will manage combustion on its own. When the heater is set to a low burn rate more care is needed to ensure the catalytic combustion system works properly. Make sure the stove is hot and a good coal bed is established before adjusting your heater to low burn.
- Understanding the combustion system in this heater will help minimize the visible emissions this heater releases into the environment. The primary pilot orifice at the center bottom of the door opening is designed to help the secondary combustion at low burn settings. The pilot provides a small amount of air that burns up through the fuel load providing the heat and flame needed for the secondary system to ignite. The air tubes under the baffle need to remain ignited for low burns to be effective.
- As you load your heater for a low burn, take care in placing the wood. This will affect how well your catalytic system works as the wood is consumed. Do not block the pilot orifice. Stack wood so the pilot air can burn its way up between the pieces, helping your heater burn effectively throughout the low fire. This will reduce the visible emissions your heater produces and increase the amount of heat you get from the wood. If you are unsure how well your heater is burning look at the chimney cap to monitor visible emissions.

Burning Your Heater

Starting a Fire: Make sure your air control is all the way open and the by-pass is in the open position. To reduce the amount of smoke when starting your fire, the “Top Down” method described below allows for the cleanest starts. Stack four or five layers of medium-sized kindling 16” long by 1 to 2” in diameter in a tic tac toe pattern, five to 7 pieces per layer with about ½” to ¾” spacing between pieces. On top of the kindling stack place a nest of pencil-sized kindling. Light the small kindling on top of the stack and let the fire burn down through the wood. Using this method, the door should be able to be closed within approximately two minutes after lighting the kindling and the bypass at approximately 3 minutes. If the fire starts to die down, reopen the door and leave it cracked open until the fire takes over and becomes established. **Never leave your heater unattended if the door is not latched shut.**

Reloading: When reloading a hot stove, return the air control too high for at least 15 min before adjusting the air control to slow down the burn rate.

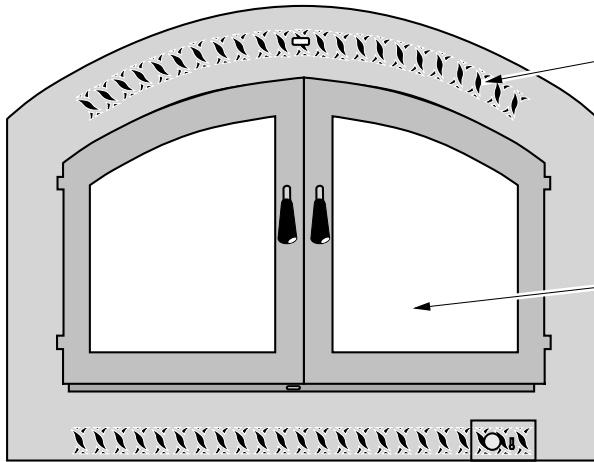
Reload the stove with 16” medium sized pieces of cordwood when the kindling pile has burned about three-quarters of the way through. Use enough wood to establish a good coal bed (approximately 5 pieces). A hot coal bed is critical to clean combustion of the fuel. We cannot overstate the importance of a hot coal bed before slowing down the burn rate by adjusting the air control. Burn the first full load of cordwood completely through at the high burn rate to get our heater up to a good operating temperature and to establish a deep coal bed before reloading and adjusting the burn rate.

Low & Medium Burns: If preparing for a medium or low overnight burn, a longer heat-up period may be necessary. For the lowest emissions we recommend the following method: using 16” cord wood. Load a bottom layer of wood front to back in the unit covering the coal bed. Place a second layer side to side.

After loading, burn the stove on high for at least 15 minutes before setting the air control to low.

Excessive creosote buildup (or sooting) in the heater at the end of a low burn signifies that the heater was not hot enough and the wood load was not burned long enough on high after loading before adjusting the air control.

Normal Operating Sounds



Blower Air

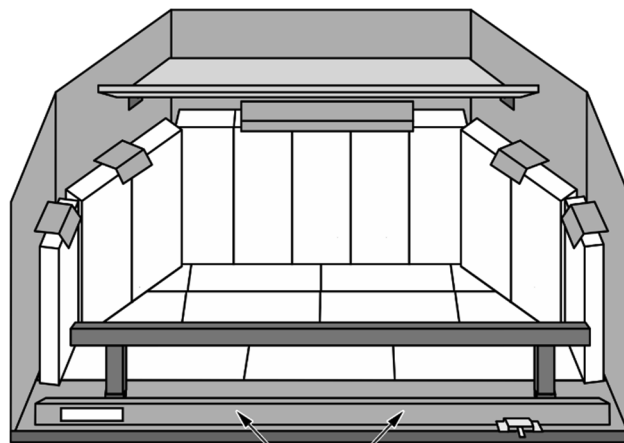
Dependent upon blower placement, you may hear a slight "whirring" sound coming from the blower. Turning the blower down may reduce the sound.

Firebox Body

You may notice some "clicks" and "creaks" coming from inside the fireplace. This is most noticeable when the fireplace is warming up to temperature and cooling down.

Hints for Burning

- Get the appliance hot before adjusting to low burn
- Use smaller pieces of wood during start-up and high burns to increase temperature
- Use larger pieces of wood for overnight or sustained burns
- Stack the wood tightly together to establish a longer burn
- Be considerate of neighbors & the environment: burn dry wood only
- Burn small, intense fires instead of large, slow burning fires when possible
- Learn your appliance's operating characteristics to obtain optimum performance
- Don't allow any fuel to protrude forward of the ash lip (see below).

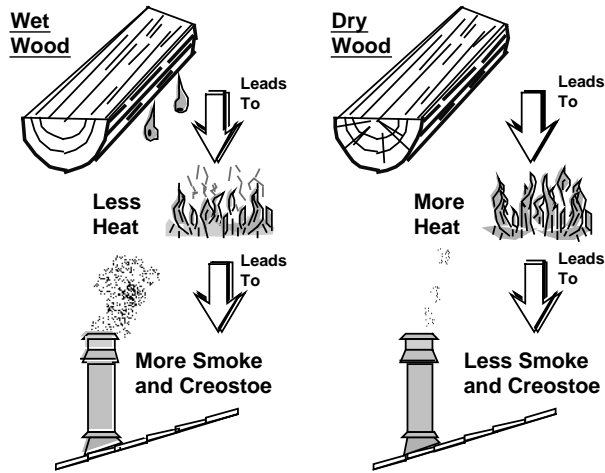


Ash Lip

Selecting Wood

Dry Wood is Key

Dry wood burns hot, emits less smoke and creates less creosote.



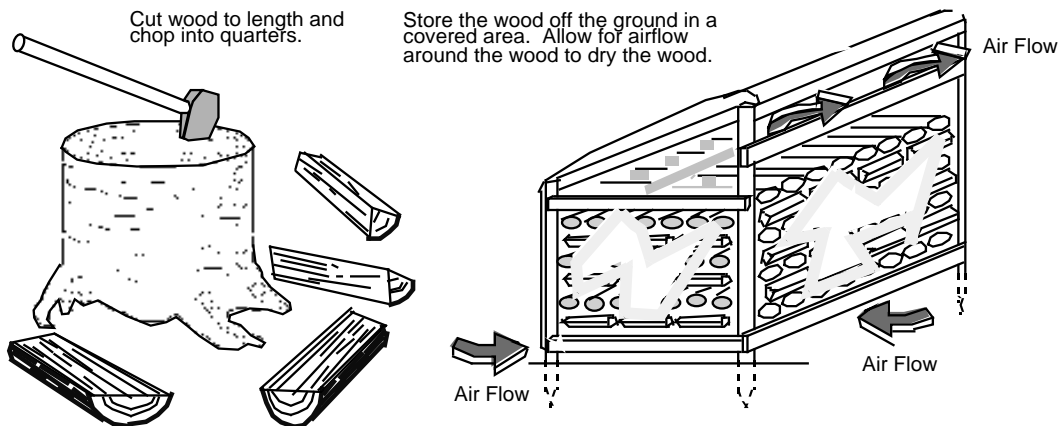
Testing Wood Moisture

Wood cut, split and stored in a dry area will be fully dry within a year. This insures dry wood. If purchasing wood for immediate use, test the wood with a moisture meter. Some experienced wood burners can measure wood moisture by knocking pieces together and listening for a clear "knock" and not a "thud".

Why Dry Wood is Key

Wet wood, when burned, must release water stored within the wood. This cools the fire, creates creosote, and hampers a complete burn. Ask any experienced wood burner and he or she will agree: dry wood is crucial to good performance.

Wood Cutting and Storage



Don't Burn Treated Wood, Wax Logs, Coal, Garbage, Etc.

This heater is designed to burn natural wood only. Higher efficiencies and lower emissions generally result when burning air dried seasoned hardwoods, as compared to softwoods or to green or freshly cut hardwoods. DO NOT BURN:

- (1) Garbage;
- (2) Lawn clippings or yard waste;
- (3) Materials containing rubber, including tires;
- (4) Materials containing plastic;
- (5) Waste petroleum products, paints or paint thinners, or asphalt products;
- (6) Materials containing asbestos;
- (7) Construction or demolition debris;
- (8) Railroad ties or pressure-treated wood;
- (9) Manure or animal remains;
- (10) Salt water driftwood or other previously salt water saturated materials;
- (11) Unseasoned wood; or
- (12) Paper products, cardboard, plywood, or particleboard. The prohibition against burning these materials does not prohibit the use of fire starters made from paper, cardboard, saw dust, wax and similar substances for the purpose of starting a fire in an affected wood heater.

Burning these materials may result in release of toxic fumes or render the heater ineffective and cause smoke.

Troubleshooting

Problem	Possible Cause
Smoke Enters Room During Start-Up	<ul style="list-style-type: none"> • Cold Air Blockage - burn a piece of newspaper to establish a draft. • By-pass is Closed - Open the by-pass by pulling the ring above the door all the way out. • Close the doors - if the flame is not getting enough air, first make sure the air control is open (all the way left). If additional air is needed, a small crack in the door is all that is needed.
Kindling Does Not Start - Fire Smolders	<ul style="list-style-type: none"> • Cold Air Blockage - burn a piece of newspaper to establish a draft. • Not enough starter paper - use additional newspaper if necessary. • By-pass is Closed - Open the by-pass by pulling the ring above the door all the way out. • Not enough air - first make sure the air control is open (all the way left). If additional air is needed, a small crack in the door is all that is needed.
Smoke Enters Room While Re-Loading	<ul style="list-style-type: none"> • By-Pass not Opened - Open the by-pass (the ring above the doors) using gloves or a tool before opening the door. • Insufficient Draft - Chimney height and outside conditions can negatively affect draft. In these cases a small amount of smoke may enter the home. Adding more pipe or a draft-inducing cap may help.
Fireplace Does Not Burn Hot Enough	<ul style="list-style-type: none"> • Wood is Wet - see the section "Selecting Wood" on page 12 for details on wood. • Insufficient Draft - Chimney height and outside conditions can negatively affect draft. In these cases the fire may burn slowly. Adding more pipe or a draft-inducing cap may help. • Air Control is Not Wide Open - Make sure the air control is all the way to the left. Slide the control back and forth rapidly to insure the control is not stuck.
Blower Does Not Run	<ul style="list-style-type: none"> • Fireplace is Not Up to Temperature - This is normal. The blower will come on when the fireplace is hot - usually 15 to 30 minutes. • Electricity is Cut to the Blower - Check the household breaker or fuse to make sure it is operable.
Faceplate is Cold	<ul style="list-style-type: none"> • This is Normal - The air leading into the firebox comes from the exterior. In some cases this air comes into the firebox and exits up the chimney. This will not damage the fireplace nor cool the home much.
Fireplace Does Not Burn Overnight	<ul style="list-style-type: none"> • The doors are not sealing - See the section "Check the Door Seal, Adjust if Necessary" on page 16 for details.

Daily Maintenance (while stove is in use)

Remove Ash (if necessary)

Whenever ashes get 3 to 4 inches deep in your firebox or ash pan, and when the fire has burned down and cooled, remove excess ashes. Leave an ash bed approximately 1 inch deep on the firebox bottom to help maintain a hot charcoal bed. Let the stove cool completely before removing ashes (wait at least two hours after the last coal has extinguished). Ashes should be placed in a metal container with a tight-fitting lid. The closed container of ashes should be placed on a noncombustible floor or on the ground, away from all combustible materials, pending final disposal. The ashes should be retained in the closed container until all cinders have thoroughly cooled.



Improperly disposed ashes lead to fires. Hot ashes placed in cardboard boxes, dumped in back yards, or stored in garages, are recipes for disaster.



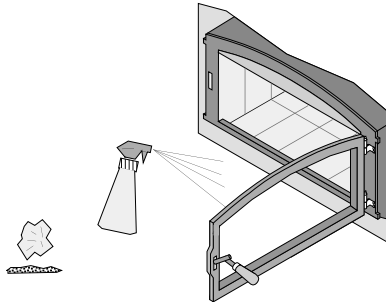
Wood-burning stoves are inherently dirty. During cleaning have a vacuum ready to catch spilled ash (make sure ash is entirely extinguished).



There are vacuum cleaners specifically made to remove ash (even if the ash is warm). Contact your dealer for details.

Clean the Glass (if necessary)

This appliance has an airwash to keep the glass clean. However, burning un-seasoned wood or burning on lower burn rates leads to dirtier glass (especially on the sides). Do not clean glass with abrasive cleaners. Allow the stove to fully cool before cleaning. Apply glass cleaner or soapy water to the inside of the glass. Wipe with newspaper or a paper towel to clean. For stubborn creosote, dip a moist paper towel or newspaper in cold ash before cleaning. The ash acts as a mild abrasive.

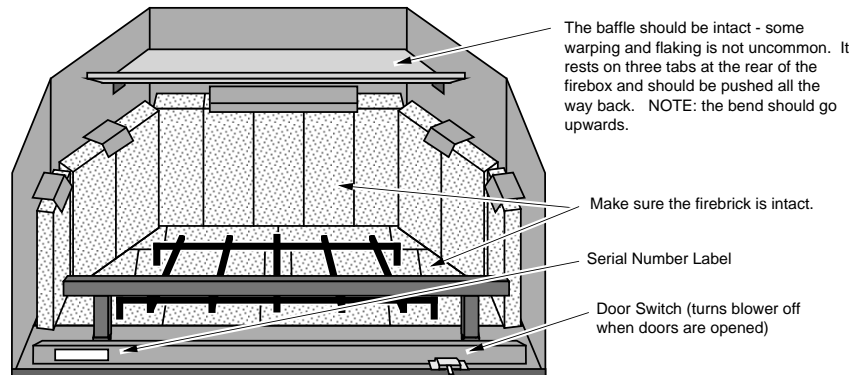


The glass will develop a very slight haze over time. This is normal and will not affect viewing of the fire.

Twice Yearly Maintenance

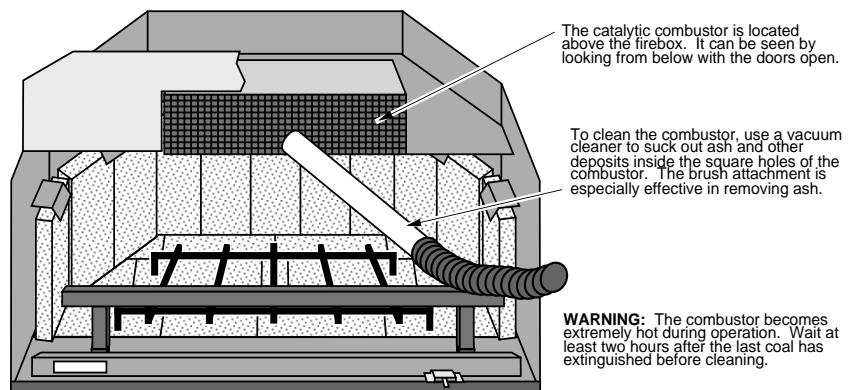
Check Firebrick, Baffle

With the fireplace completely cool, remove ash from the firebox (see the instructions on the previous page) and check the firebrick and baffle.



Clean the Combustor

With the fireplace completely cool (at least two hours after the last coal has extinguished), use a vacuum cleaner to draw all ash from the catalytic combustor (see the illustration below).



Testing your Catalyst Combustor

A combustor that is not functioning may still show active temperatures during the medium and high burn rates with the primary fire providing enough heat to hold output temperatures above 500°f. To check the combustor function burn your fireplace for at least 2-3 hours on the medium to high setting ensuring a full coal bed covers the firebox floor and the unit is at operating temperature. Set your burn rate to medium low and monitor the catalyst output temperature. The combustor should maintain a temperature above 500°f. If your combustor temp falls below 500°f perform this test two or three times to ensure the results. If your results are the same your combustor may need cleaning or replacement. Note: If you reload your fireplace before starting your burn test burn the new fuel load on high for at least 20 min before setting your burn rate to medium low.

Catalytic Combustor Replacement

1. Remove insulation on the sides of the combustor



2. Grab both edges of the combustor and work it out by pulling back and forth on both sides.

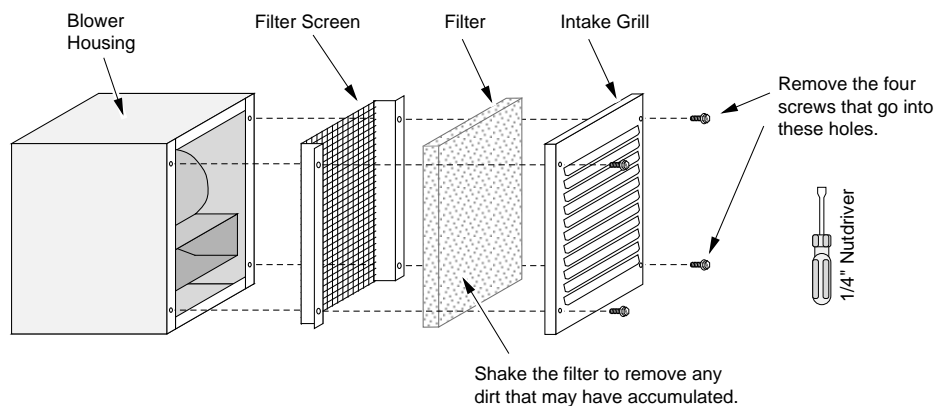


3. Install new combustor making sure that the side insulation and the combustor top and bottom gasket are in place.

NOTE: The combustor is fragile, handle with care.

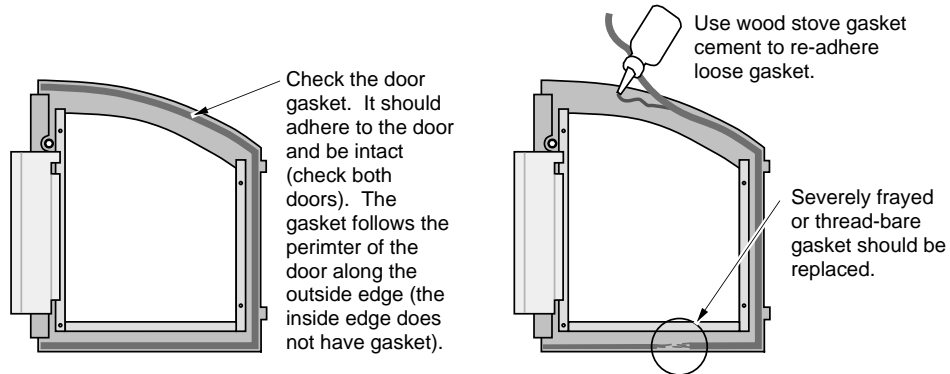
Clean the Blower Filter

The remote blower has a removable cover to allow for cleaning of the filter. This filter can be removed and washed to clean dust and debris. See the directions to the right to remove the filter.



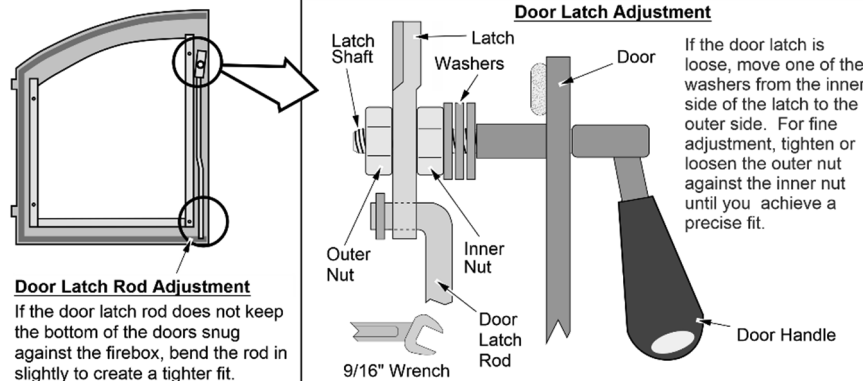
Check Door Seal, Adjust if Necessary

The door latch and door gasket work in conjunction to seal the firebox. If the doors do not seal, air will leak into the firebox and cause the fire to burn too fast. This reduces the ability to burn the fireplace overnight or precisely adjust the burn rate. Follow the directions below to check the door gasket.



Follow the directions below to check the door latch.

When closing the doors, the handle should pull the doors in and create a snug fit. If it doesn't check the following two items.

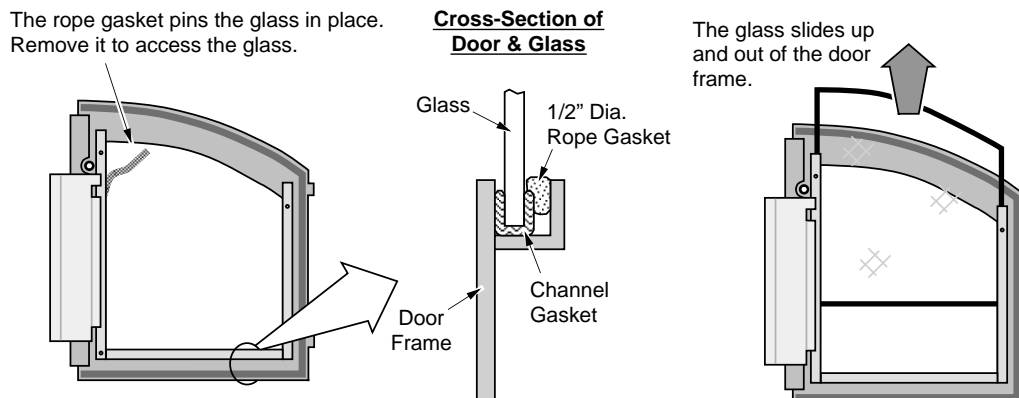


Glass Inspection & Removal

If the glass is cracked or broken, it must be replaced. The glass & gasket should seal against the door. See the illustration below for glass removal. When re-installing the glass, gently press the rope gasket in place (use a putty knife).

NOTE: This unit uses 5mm ceramic glass, use only OEM replacement glass. Do not use substitute materials.

WARNING: The top of the glass comes close to the face of the fireplace. The glass must be all the way down to prevent it from striking the fireplace when the door is closed.



Check Chimney for Creosote Build-Up

Remove the chimney cap and carefully inspect for creosote build-up over the entire length of chimney. If creosote build-up is over 1/4", the chimney must be thoroughly cleaned. Failure to clean the chimney may lead to a fire.

Hint: Chimney cleaning is a very dirty, complicated, and dangerous task. We strongly recommend you have a professional chimney sweep conduct this service.

Warning: Chimney fires are created by excessive creosote build-up. To prevent this dangerous situation, have your chimney inspected twice per year minimum.

Replacement Parts List

WARNING: Failure to use only parts specifically approved with this appliance may result in property damage or personal injury.

Title	Part #
Air Control Slider Bar, FPX 36 Elite	91001600
Baffle Plate, Firebox Back, FPX 36 Elite	98500721
Baffle, Rear, Catalytic, FPX 36 Elite	91001602
Brick, Box of 8 Bricks	99900102
Brick, Cut-Set	99900105
Brick, (Cut) 3.2 x 9	251-00040
Brick, (Angle Cut) 4.5 x .97 x 2.95	251-00041
Brick, (Angle Cut) 4.5 x 2.95 x 4.9	251-00042
Bypass Assembly and Catalytic Holder, FPX 36 Elite	91001601
Bypass Pull Ring, Cast Steel	250-00499
Bypass Rod Assembly, FPX 36 Elite	91001604
Bypass Slider, FPX 36 Elite	91001603
Catalytic Combustor, FPX 36 Elite and 44 Elite	250-00556
Catalytic Combustor Gasket, FPX, 36 Elite	91001612
Catalytic Temperature Meter, FPX Woodburning Fireplaces	250-03586
Door Gasket, FPX Wood Fireplace	98500717
Door Handle, Black Phenolic, FPX, (One Handle)	91001605
Door Hinge Replacement Kit, FPX 44 & 36 Fireplaces	98500714
Door Latch Assembly, Right Side of Double Door, FPX 36A & 36 Elite	98500712
Door, Double, Black, Complete Assembly, FPX 36 Elite	98500456
Door, Single, Black, Complete Assembly, FPX 36 Elite	98500458
Door, Single, Artisan, Complete Assembly, FPX 36 Elite	98500459
Electrical Wiring Harness, FPX Wood	250-01635
Fan, Convection, FPX, Without Mounting Box	98500780
Fan, FPX Convection, Complete Assembly with Mounting Box & Grill	98500785
Fan Switch, FPX, Auto Door Shut-off	98500759
Filter Replacement for FPX Fan	98500788
Glass, Double Door, Clear (One side), FPX 36A & 36 Elite	98500730
Glass Gasket for FPX 36A & 36 Elite Doors	98500731
Glass Gasket, Lopi, Wood & Pellet Stoves	99900405
Glass, Single Door, Clear, FPX 36 Elite	98500745
Grate, Firewood, FPX Wood Burning Fireplaces	98500738
Log Retainer, FPX Woodburning Fireplaces.	98500739
Rheostat Fan Control with Black Plate	250-00560
Rheostat, Fan, FPX & Pellet, No Off Position	250-00301
Snap Disc, FPX Convection Blower (Firebox Side Location) with Plate	91001637
Snap Disc Gasket, FPX, for Firebox Mounted Fan Snap Disc	250-00359
Summer Switch Option, Black, For FPX Convection Fan	250-00019
Summer Switch Option, Artisan, For FPX Convection Fan	250-00021
Template, Installation, Arched for FPX 36 A & 36 Elite	98500690
Windshield for FPX Blower	98500778

DO NOT REMOVE THIS LABEL

CONTACT LOCAL BUILDING OR FIRE OFFICIALS ABOUT INSTALLATION AND RESTRICTIONS IN YOUR AREA.
LISTED FACTORY-BUILT FIREPLACE



Listed by
OMNI-Test Laboratories, Inc.
Report No. 0028WF060S, 0028WF060E

MODEL:
36 Elite

Certified for USA

SERIAL NO:

CONFORMS TO UL STD 127-2015

This wood heater contains a catalytic combustor, where both need periodic inspection and replacement for proper operation. Consult the owner's manual for further information. It is against federal regulations to operate this wood heater in a manner inconsistent with operating instructions in the owner's manual, or if the catalytic element is deactivated or removed. **CAUTION:** the combustor used in this appliance (part no. 250-00556) is fragile and must be handled carefully. Burning of metal foils, plastic, garbage, sulphur and diesel oil will render the catalyst in the combustor inactive. The performance and durability of the catalytic combustor has not been evaluated as part of the certification. Do not use a fireplace insert or other products not specified for use with this product. This fireplace has not been tested with an unvented gas log set. To reduce the risk of fire or injury, do not install an unvented gas log set into fireplace. Fireplace must use combustion air drawn from outside the house. Use cord wood only. **DO NOT OVERFIRE UNIT.**

U.S. ENVIRONMENTAL PROTECTION AGENCY
Certified to comply with 2020 particulate emission standards using cord wood.
1.34 g/h, EPA Alt-125, ASTM E3053-17, ASTM 2515-11, CSA B415.1-10

Replace glass only with 5mm neoceramic or ceramic glass.

Electrical Rating: 115V., 60 Hz, 1.1 Amps
Blower: # 98500780



Manufactured by:
TRAVIS INDUSTRIES, INC.
12521 Harbour Reach Drive
Mukilteo, WA 98275
www.travisproducts.com

DATE OF MANUFACTURE

2021	2022	2023	2024	Jan	Feb	Mar	Apr	May	Jun	Jul	Aug	Sep	Oct	Nov	Dec
<input type="checkbox"/>	<input type="checkbox"/>	<input type="checkbox"/>	<input type="checkbox"/>	<input type="checkbox"/>	<input type="checkbox"/>	<input type="checkbox"/>	<input type="checkbox"/>	<input type="checkbox"/>	<input type="checkbox"/>	<input type="checkbox"/>	<input type="checkbox"/>	<input type="checkbox"/>	<input type="checkbox"/>	<input type="checkbox"/>	<input type="checkbox"/>

Made in U.S.A.

1384



36 Elite

U.S. ENVIRONMENTAL PROTECTION AGENCY
Certified to comply with 2020 particulate emission standards using cord wood.
1.34 g/h, EPA Alt-125, ASTM E3053-17, ASTM 2515-11, CSA B415.1-10

Serial No. **ZC-1201**

This wood heater contains a catalytic combustor, where both need periodic inspection and replacement for proper operation. Consult the owner's manual for further information. It is against federal regulations to operate this wood heater in a manner inconsistent with operating instructions in the owner's manual, or if the catalytic element is deactivated or removed. See installation and operating instructions for this model. Use cord wood only.

Manufactured By: **TRAVIS INDUSTRIES, INC.**
12521 Harbour Reach Drive, Mukilteo, WA 98275

MANUFACTURE DATE:

<input type="checkbox"/> 2021	<input type="checkbox"/> JAN	<input type="checkbox"/> APR	<input type="checkbox"/> JUL	<input type="checkbox"/> OCT
<input type="checkbox"/> 2022	<input type="checkbox"/> FEB	<input type="checkbox"/> MAY	<input type="checkbox"/> AUG	<input type="checkbox"/> NOV
<input type="checkbox"/> 2023	<input type="checkbox"/> MAR	<input type="checkbox"/> JUN	<input type="checkbox"/> SEP	<input type="checkbox"/> DEC

1385

Register your TRAVIS INDUSTRIES, INC. Limited 7-Year Warranty online at traviswarranty.com. TRAVIS INDUSTRIES, INC. warrants this appliance (appliance is defined as the equipment manufactured by Travis Industries, Inc.) to be defect-free in material and workmanship to the original purchaser from the date of purchase as follows:

Years 1 & 2 - COVERAGE: PARTS & LABOR

Air Control Assembly

Slider Plate, Linkage

Blower Assembly

Blower, Wire Harness, Snap Disk

Ceramic Glass

Glass (breakage from thermal shock)

Catalytic Combustor

Catalytic Combustor (see "Conditions and Exclusions" # 10)

Damper Assembly

Damper Plate, Linkage

Exclusions: Paint, Gasketing

Door Assembly

Door, Latch Assembly, Glass Retainers

Face Assembly

Faceplate, Fasteners

Firebox Assembly

Firebox, Combustor Support, Baffle, Air Channels

Firebrick

Breakage from thermal shock

Accessories

Andiron, Summer Fan Switch

Re-Installation Allowance

In cases where heater must be removed from home for repairs, a partial cost of re-installation is covered (pre-authorization required)

One-Way Freight Allowance

One-way freight allowance on pre-authorized repair done at factory is covered.

Years 3 Through 5 - COVERAGE: PARTS & LABOR

Air Control Assembly

Slider Plate, Linkage

Catalytic Combustor

Coverage for thermal crumbling and disintegration only.

Damper Assembly

Damper Plate, Linkage

Door Assembly

Door, Latch Assembly, Glass Retainers

Face Assembly

Faceplate, Fasteners

Firebox Assembly

Firebox, Combustor Support, Baffle, Air Channels

One-Way Freight Allowance

One-way freight allowance on pre-authorized repair done at factory is covered.

Exclusions: Paint, Gasketing, Blower Assembly, Glass, Firebrick, Accessories, Re-Installation Allowance

Years 6 & 7 - COVERAGE: PARTS ONLY

Air Control Assembly

Slider Plate, Linkage

Damper Assembly

Damper Plate, Linkage

Door Assembly

Door, Latch Assembly, Glass Retainers

Face Assembly

Faceplate, Fasteners

Firebox Assembly

Firebox, Combustor Support, Baffle, Air Channels

Exclusions: Paint, Gasketing, Blower Assembly, Glass, Firebrick, Accessories, Catalytic Combustor, Re-Installation Allowance, One-Way Freight Allowance, Labor

CONDITIONS & EXCLUSIONS

- This new appliance must be installed by a qualified installer. It must be installed, operated, and maintained at all times in accordance with the instructions in the Owner's Manual. Any alteration, willful abuse, accident, neglect, or misuse of the product shall nullify this warranty.
- This warranty is nontransferable, and is made to the ORIGINAL purchaser, provided that the purchase was made through an authorized Travis dealer.
- Discoloration and some minor expansion, contraction, or movement of certain parts and resulting noise, is normal and not a defect and, therefore, not covered under warranty. Over-firing (operation where the steel may glow red) of this appliance can cause serious damage and will nullify this warranty.
- The warranty, as outlined within this document, does not apply to the chimney components or other Non-Travis accessories used in conjunction with the installation of this product. If in doubt as to the extent of this warranty, contact your authorized Travis retailer before installation.
- Travis Industries will not be responsible for inadequate performance caused by environmental conditions such as nearby trees, buildings, roof tops, wind, hills or mountains or negative pressure or other influences from mechanical systems such as furnaces, fans, clothes dryers, etc.
- This Warranty is void if:
 - The unit has been operated in atmospheres contaminated by chlorine, fluorine or other damaging chemicals.
 - The unit is subject to submersion in water or prolonged periods of dampness or condensation.
 - Any damage to the unit, combustion chamber, heat exchanger or other components due to water, or weather damage which is the result of, but not limited to, improper chimney/venting installation.
- Exclusions to this 7 Year Warranty include: injury, loss of use, damage, failure to function due to accident, negligence, misuse, improper installation, alteration or adjustment of the manufacturer's settings of components, lack of proper and regular maintenance, damage incurred while the appliance is in transit, alteration, or act of God.
- This 7 Year warranty excludes damage caused by normal wear and tear, such as paint discoloration or chipping, worn or torn gasketing, chipped or cracked firebrick, etc. Also excluded is damage to the unit caused by abuse, improper installation, modification of the unit, or the use of fuel other than that for which the unit is configured (use cord wood only).
- Damage to gold surfaces caused by fingerprints, scratches, melted items, or other external sources left on the gold from the use of cleaners other than denatured alcohol is not covered in this warranty. Damage to the gold surfaces from over-firing (operation where the steel may glow red) is not covered in this warranty.
- Damage to the catalytic combustor due to mishandling, removal, cleaning, or other handling is not covered. Degradation of the combustor due to burning of anything other than natural cord wood is not covered. Burning of trash, garbage, artificial or paper logs, gift wrappings, coal, lighter fluids, chemical starters, treated or painted wood, driftwood or chemical cleaners will void the combustor warranty. These items contain chemicals that may cause the combustor to become deactivated.
- TRAVIS INDUSTRIES, INC. is free of liability for any damages caused by the appliance, as well as inconvenience expenses and materials. Incidental or consequential damages are not covered by this warranty. In some states, the exclusion of incidental or consequential damage may not apply.
- This warranty does not cover any loss or damage incurred by the use or removal of any component or apparatus to or from the Travis appliance without the express written permission of TRAVIS INDUSTRIES, INC. and bearing a TRAVIS INDUSTRIES, INC. label of approval.
- Any statement or representation of Travis products and their performance contained in Travis advertising, packaging literature, or printed material is not part of this 7 year warranty.
- This warranty is automatically voided if the appliance's serial number has been removed or altered in any way. If the appliance is used for commercial purposes, it is excluded from this warranty.
- No dealer, distributor, or similar person has the authority to represent or warrant Travis products beyond the terms contained within this warranty. TRAVIS INDUSTRIES, INC. assumes no liability for such warranties or representations.
- Travis Industries will not cover the cost of the removal or re-installation of hearths, facing, mantels, venting or other components.
- If for any reason any section of this warranty is declared invalid, the balance of the warranty remains in effect and all other clauses shall remain in effect.
- This 7 year warranty is the only warranty supplied by Travis Industries, Inc., the manufacturer of the appliance. All other warranties, whether express or implied, are hereby expressly disclaimed and purchaser's recourse is expressly limited to the warranties set forth herein.

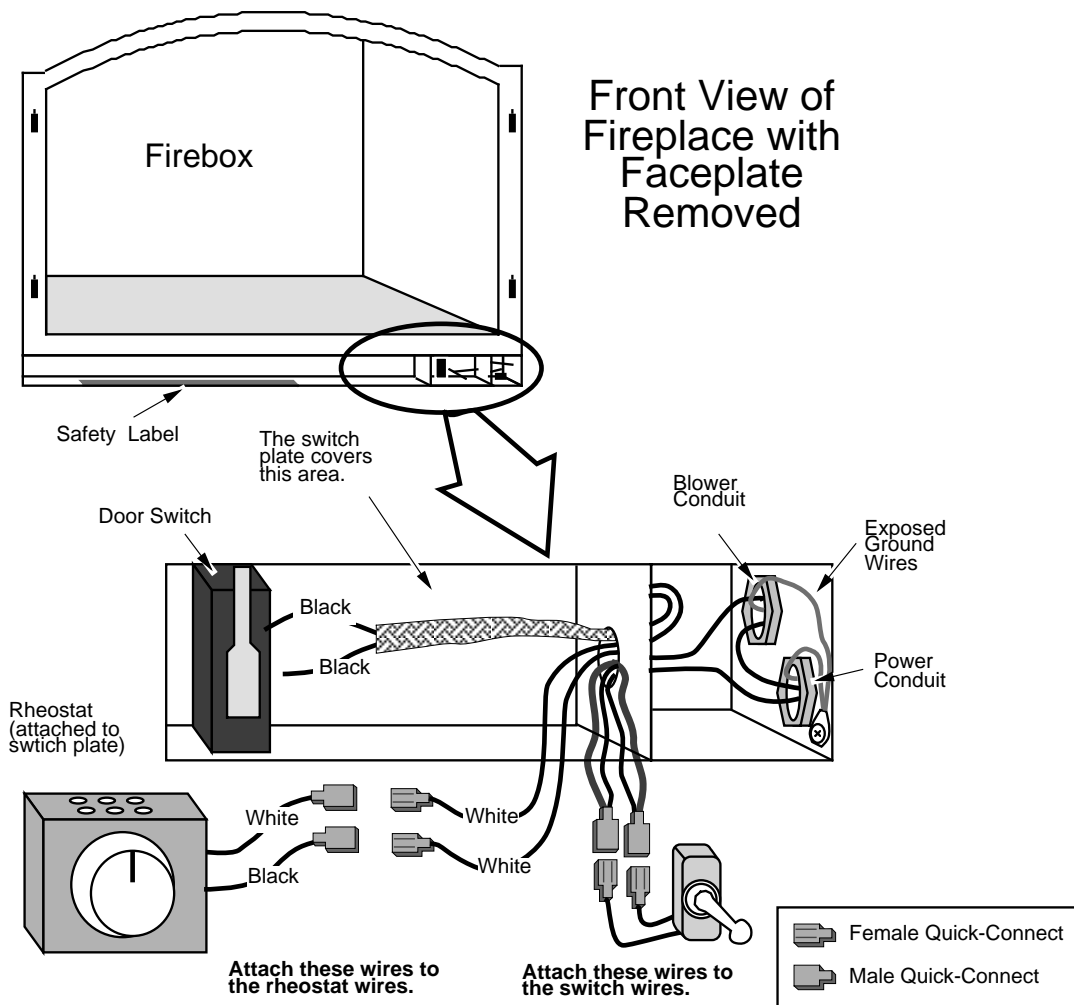
IF WARRANTY SERVICE IS NEEDED:

- If you discover a problem that you believe is covered by this warranty, you MUST REPORT it to your Travis dealer WITHIN 30 DAYS, giving them proof of purchase, the purchase date, and the model name and serial number.
- Travis Industries has the option of either repairing or replacing the defective component.
- If your dealer is unable to repair your appliance's defect, he may process a warranty claim through TRAVIS INDUSTRIES, INC., including the name of the dealership where you purchased the appliance, a copy of your receipt showing the date of the appliance's purchase, and the serial number on your appliance. At that time, you may be asked to ship your appliance, freight charges prepaid, to TRAVIS INDUSTRIES, INC. TRAVIS INDUSTRIES, INC., at its option, will repair or replace, free of charge, your appliance if it is found to be defective in material or workmanship within the time frame stated within this 7 year warranty. TRAVIS INDUSTRIES, INC. will return your appliance, freight charges (years 1 to 5) prepaid by TRAVIS INDUSTRIES, INC., to your regional distributor, or dealership.
- Check with your dealer in advance for any costs to you when arranging a warranty call. Dealers may require you to pay a service or trip charges for any warranty work. This charge can vary from store to store.

Summer Fan Switch

The summer fan switch allows the blower on the Fireplace Xtordinaire to be turned on when the fireplace is cool. This allows the owner to turn the blower on during the summer to push cool, fresh air into the home for cooling purposes.

- 1 Turn off the power to the Fireplace Xtordinaire by shutting off the breaker switch that supplies power to the fireplace.
- 2 Remove the old blower switch assembly by unscrewing the two screws that hold it in place (use a standard screwdriver). Disconnect the two quick-connects that attach to the blower switch assembly.
- 3 Behind the fan control plate are the two quick-connects that were detached in step 2 and another two that will attach to the switch on the summer fan switch assembly. Attach the two male quick connects from rheostat on the summer fan switch to the two female quick-connects detached in step 2 (orientation does not matter). Attach the two female quick-connects that lead from the on/off switch on the summer fan switch to the two male quick-connects behind the faceplate of the fireplace (orientation does not matter). Attach the summer fan switch to the fireplace by sliding the assembly in place and replacing the screws removed in step 2.
- 4 Turn the power back on to the Fireplace Xtordinaire by turning the breaker back on. Test the summer fan switch by turning the switch on and off with the fireplace cool. The blower should turn on and off.



Acid Wash	6	Important Information.....	1
Adjusting the Burn Rate	10	Index	22
Air Control (see 'Burn Rate')	10	Introduction	1
Amps	5	Kindling	8
Ash (Disposal).....	14	Listing Label.....	18
Baffle	15	Location of Controls.....	8
Before Your First Fire.....	6	Log Length	5
Blower (Cleaning).....	15	Maintaining Catalytic Burn-Off	9
Blower Operation	10	Normal Operating Sounds	11
BTU Output	5	Opening the Doors.....	7
Burn Rate	10	Opening the Doors while Fireplace is Hot	7
Burn Time.....	5	Optional Equipment	20
By-Pass Control	8	Optional Summer Fan Switch	10
Catalytic Combustor (Cleaning)	15	Over-Firing the Fireplace	6
Catalytic Combustor (Operation)	9	Overnight Burn.....	11
Catalytic Combustor (Replacement Info).....	17	Packing List.....	5
Check Ash, Remove if Necessary	14	Parts List.....	17
Check Chimney for Creosote Build-Up	16	Problems.....	13
Check Door Seal, Adjust if Necessary	16	Re-Loading the Fireplace	11
Check Firebrick, Baffle	15	Replacement Parts List.....	17
Chimney (inspection)	16	Safety Label.....	18
Clean any Gold Surfaces if Necessary	14	Safety Notice.....	6
Clean Combustor	15	Safety Precautions.....	2 & 3
Clean the Blower Filter.....	15	Selecting Wood.....	12
Combustor (Cleaning)	15	Starting a Fire	8
Combustor (Operation)	9	Summer Fan Switch (Installation).....	21
Combustor (Replacement Information).....	17	Summer Fan Switch (Operation)	10
Curing the Paint	6	Table of Contents.....	4
Daily Maintenance (while fireplace is in use)..	14	Temperature Meter (Installation)	20
Don't Burn Treated Wood, Wax Logs, Etc.	12	Temperature Meter (Operation).....	9
Door Gasket	16	Testing Wood Moisture	12
Door Latch.....	16	Troubleshooting	13
Dry Wood is Key	12	Twice Yearly Maintenance.....	15
Electrical Specifications	5	Verify the Installation	6
EPA Compliance	5	Warnings.....	2 & 3
Features	5	Warranty	19
Firebrick.....	15	Watts.....	5
Fumes (after break-in period).....	13	Why Dry Wood is Key	12
Fumes (first fire)	6	Wiring	21
Gold Surfaces (cleaning).....	14	Wood.....	12
Heating Specifications.....	5	Wood Cutting and Storage	12
Hints for Burning	11		