



Compatibility

- Travis Gas Inserts
- Travis Pellet Inserts

Important Warnings



This kit must be installed in accordance with local electrical codes. Consult your local building official for any requirements that must be met in your area.



Make sure the electrical lead leading to the insert has been disabled prior to installing this kit.

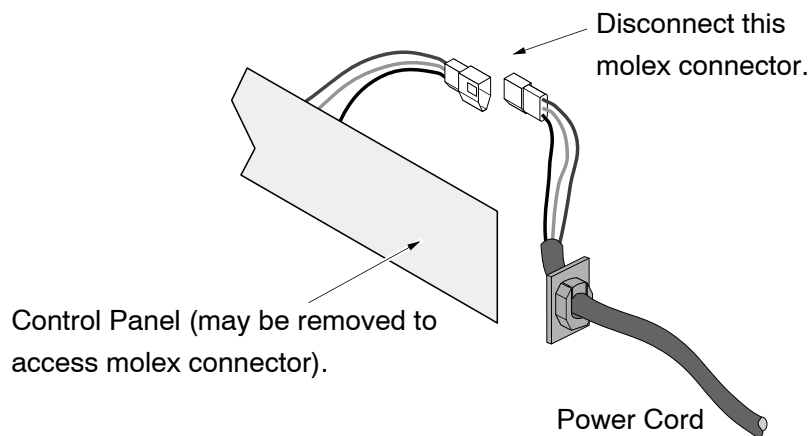
Packing List

- 8' Flexible Conduit with 90° Connector
- Mounting Bracket with Backing Plate
- 10-24 Self-Tapping Screw
- Pellet Insert Wiring Adaptor

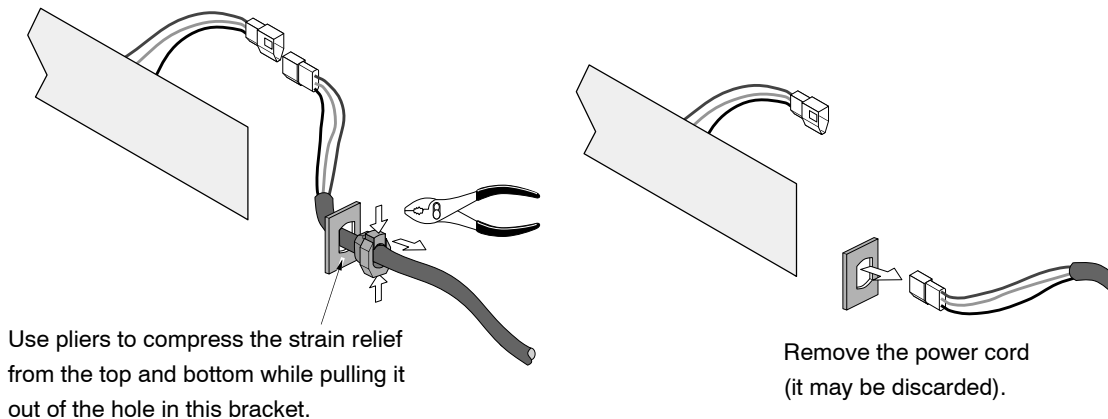
Gas Insert Installation

1. Disconnect the molex connector leading from the power cord to the appliance.

616 Insert – Remove the right side access panel to access the molex connector.



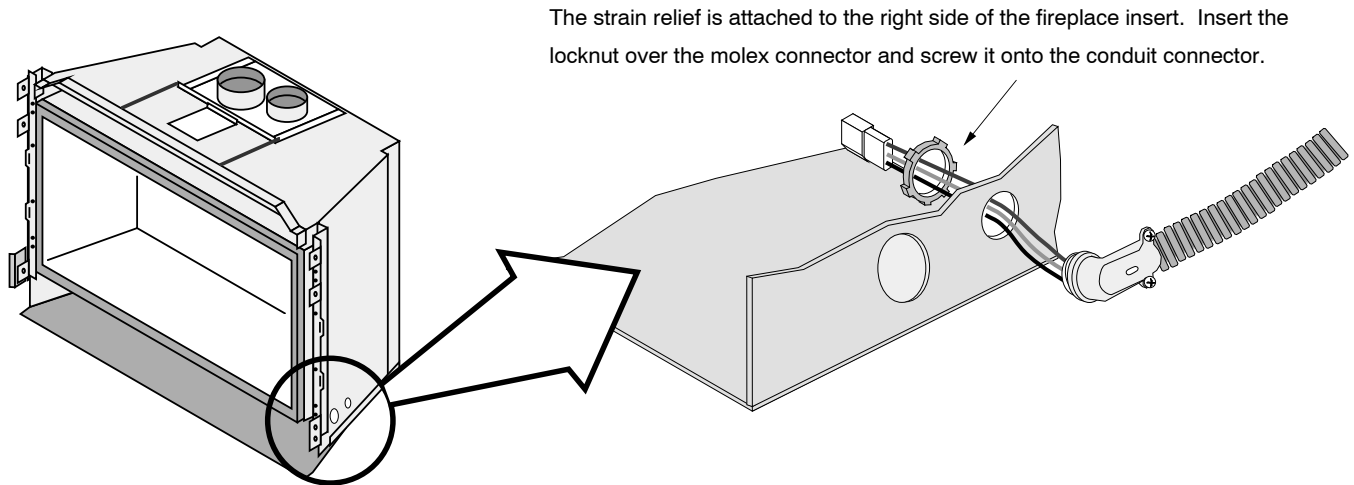
2. Disconnect the strain relief from the appliance and remove the power cord.



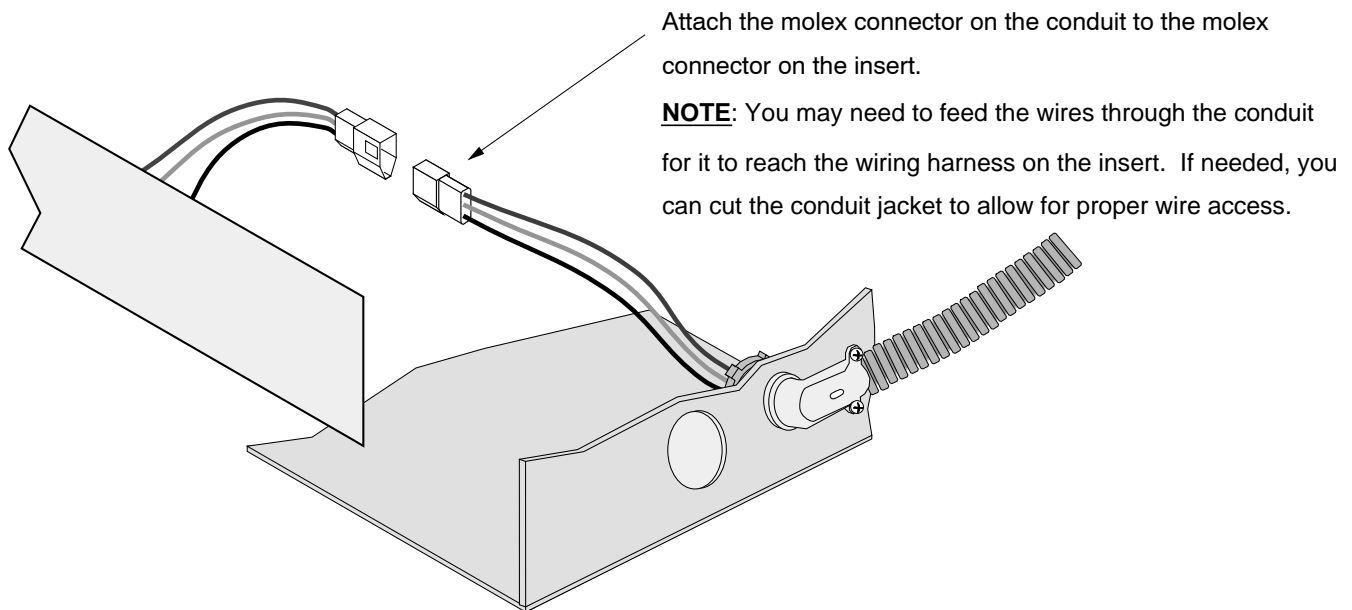


Gas Insert Installation (continued)

3. Route the conduit into the appliance from behind on the right side. Attach the conduit to the side of the insert as shown below.



4. Attach the molex connector from the conduit to the connector on the appliance.



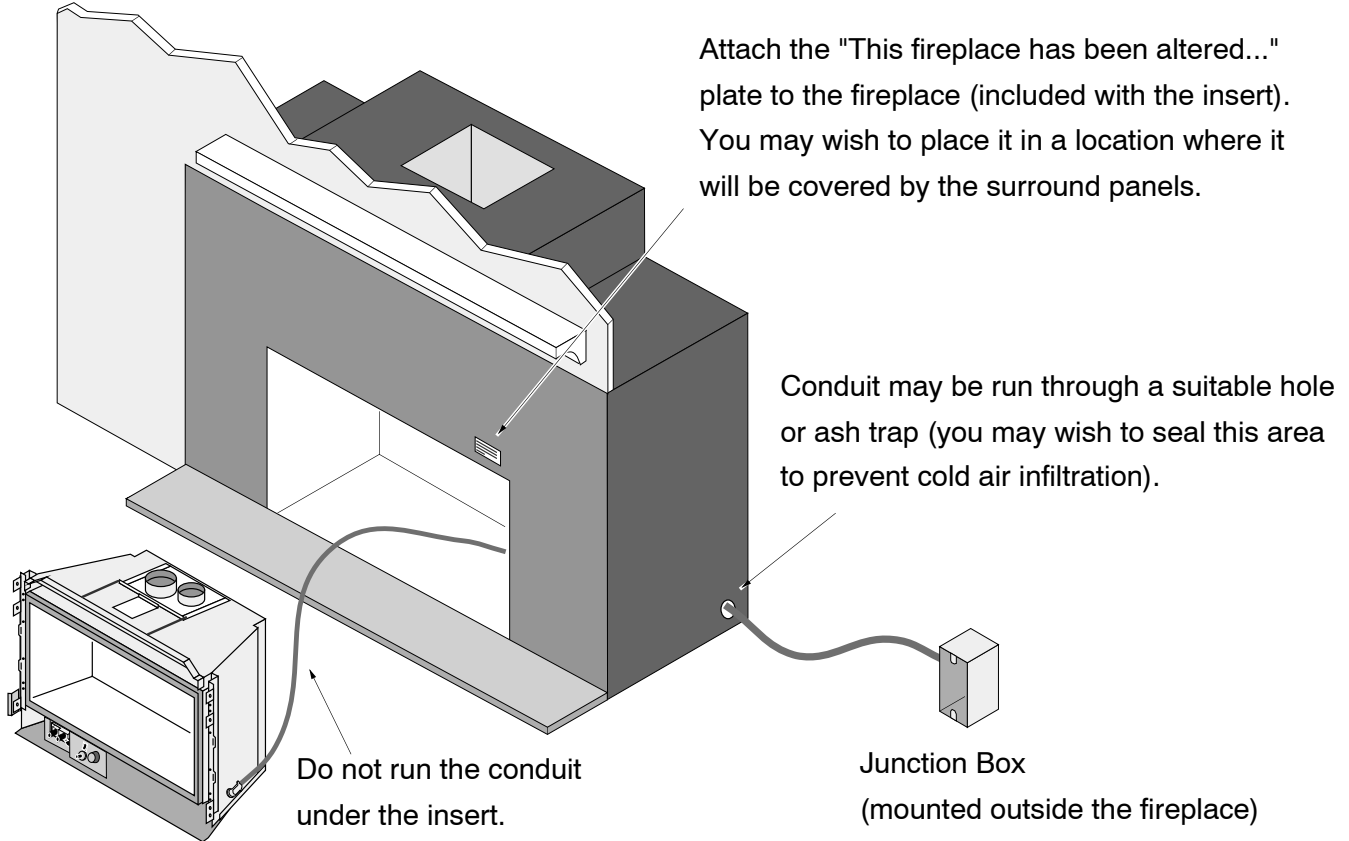


Wiring Kit, Gas & Pellet Inserts

97200315

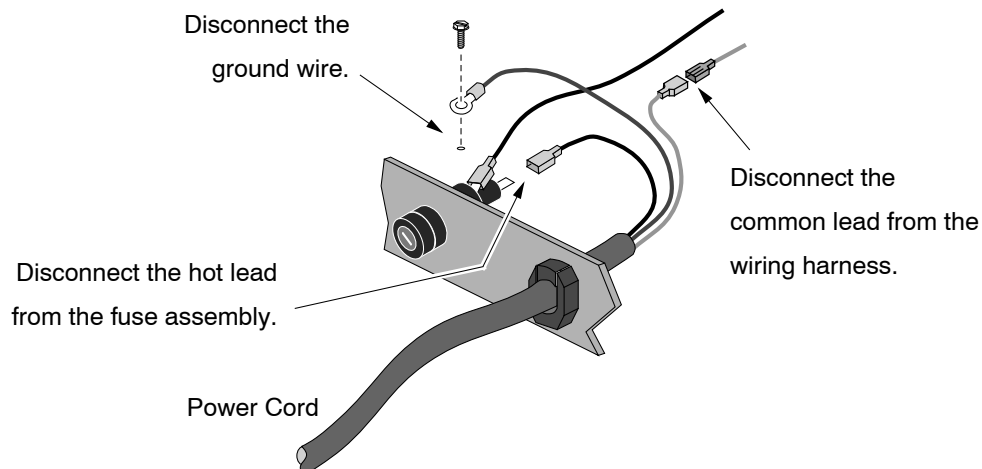
Gas Insert Installation (continued)

5. With the appliance in place, run the conduit through the fireplace to the junction box.
NOTE: leave extra slack in the conduit to allow for servicing of the appliance.



Pellet Insert Installation

1. Disconnect the wires leading to the power cord following the directions below.

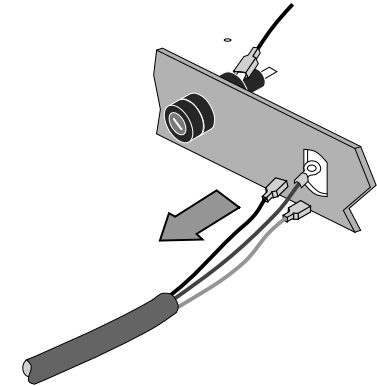
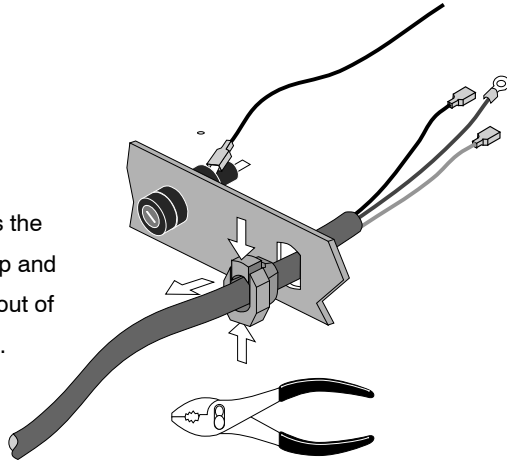




Pellet Insert Installation (continued)

2. Remove the power cord following the directions below.

Use pliers to compress the strain relief from the top and bottom while pulling it out of the hole in this bracket.



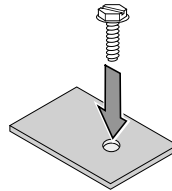
Remove the power cord.

3. Pre-thread the backing plate.

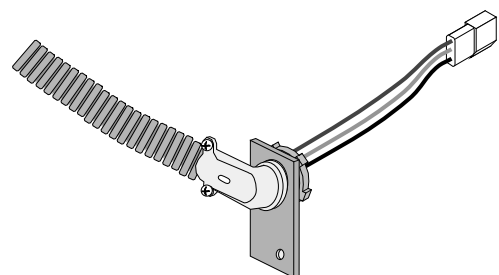
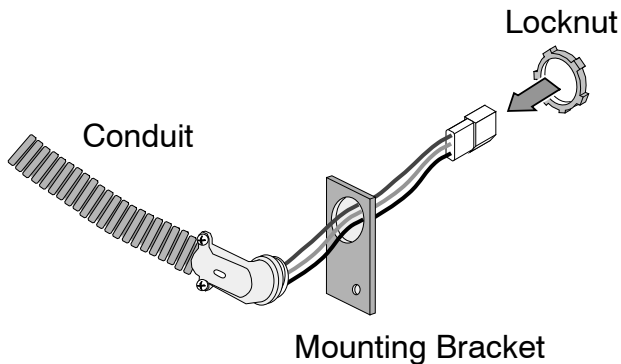
Pre-thread the backing plate - remove the screw after the plate is threaded.



5/16" Nutdriver



4. Attach the conduit to the mounting bracket as shown below.



Tighten the locknut to secure the conduit to the mounting bracket as shown.

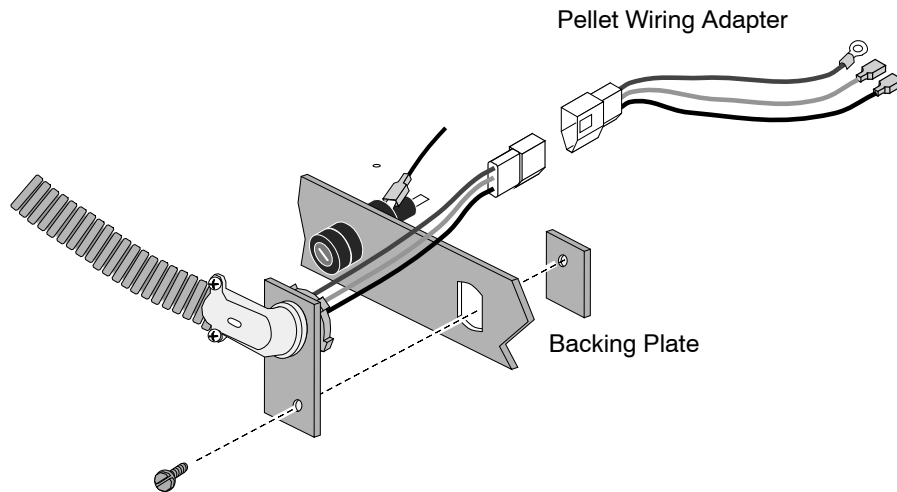


Wiring Kit, Gas & Pellet Inserts

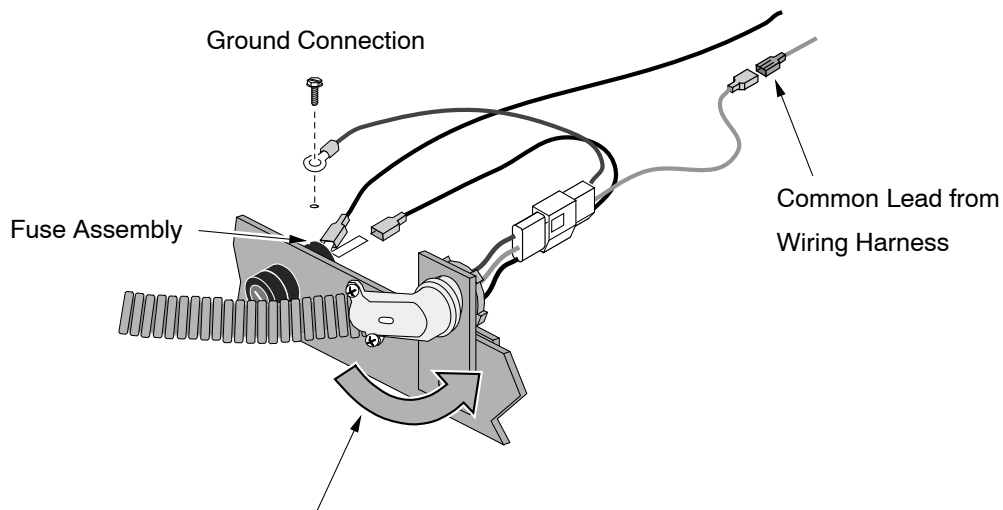
97200315

Pellet Insert Installation (continued)

- Secure the mounting bracket to the appliance with the included screw and backing plate. Attach the molex connector from the conduit to the pellet wiring adapter included with this kit.



- Attach the wires from the pellet wiring adapter to the appliance (green to the grounding point, white to the wiring harness, black to the fuse assembly).



NOTE: The conduit connector can be loosened and routed to the opposite side if desired.



Pellet Insert Installation (continued)

7. With the appliance in place, run the conduit through the fireplace to the junction box. The conduit can be routed to the left or right by NOTE: leave extra slack in the conduit to allow for servicing of the appliance.

