



TRAVIS INDUSTRIES  
HOUSE OF FIRE

# Tempest™ Ground Post

(sku 94800813)

## Compatibility

This post is for use with the following permanent-mount Tempest models

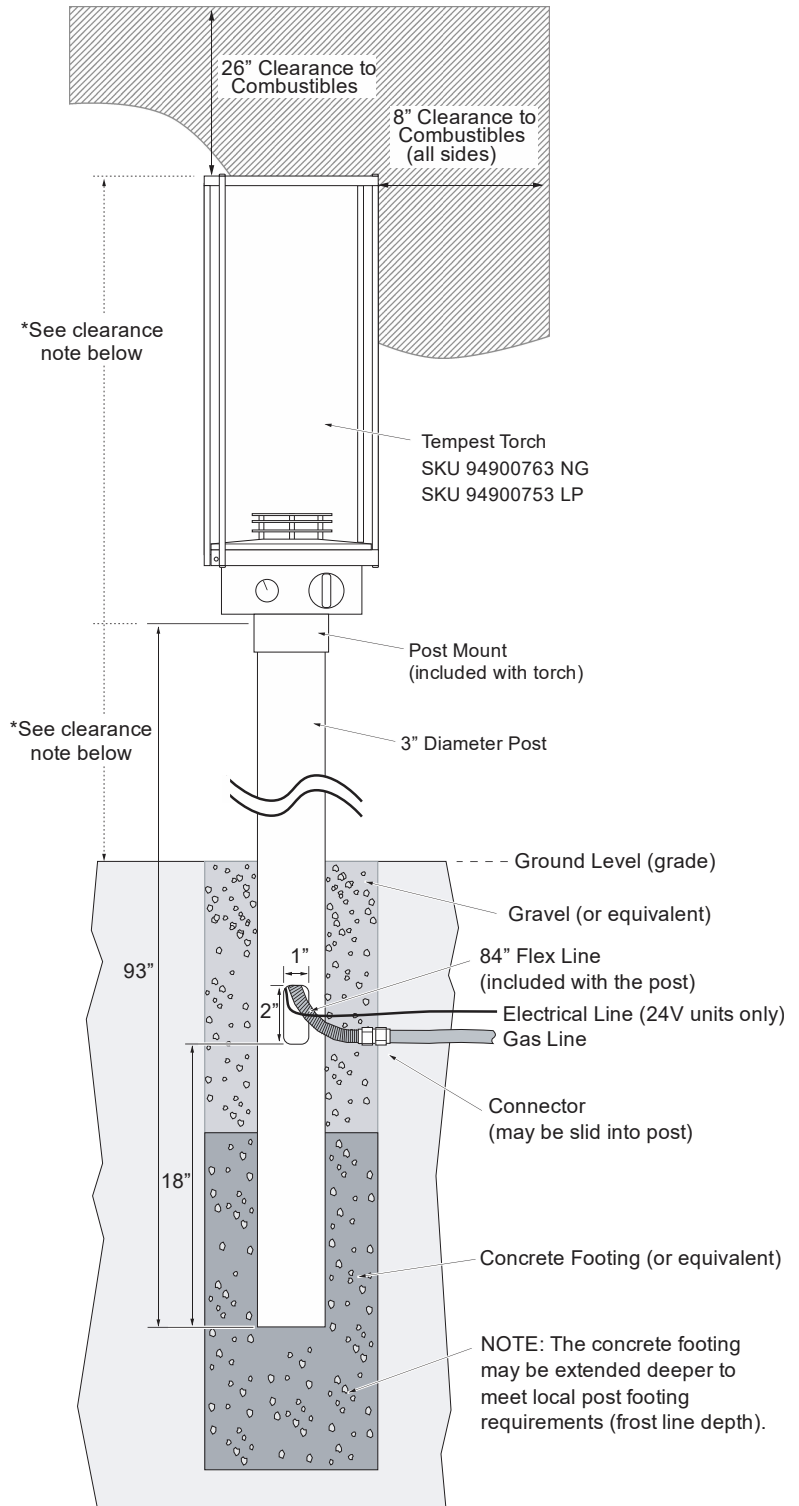
- Tempest Torch 24v (LP - 94900755 & NG - 94900745)
- Tempest Torch Manual Start (LP - 94900753 & NG - 9490043)
- Tempest Lantern 24v (LP - 94900757 & NG - 94900747)
- Tempest Lantern Manual Start (LP - 94900756 & 94900746)

**NOTE:** The illustration and order of installation is for example only. Make sure to follow all gas line and post installation requirements for your location. We recommend the post be installed by a qualified installer. Leak test all connections before use.

## Suggested Order of Installation

- Determine a location for the post.
- Dig the post hole to the required depth. Pour the cement footing and place the post into the footing, making sure to support the post in a vertical position. Make sure the gas line access hole is pointed the correct direction\*, is at the correct depth, and leaves enough room for gas line hook-up.
- Dig the trench to the required depth and install the gas line. Run the flex line included with this kit through the post and attach it to the gas line. You may wish to cap the flex line and leak test it at this time.
- Back fill the trench and area around the post to meet all local requirements.
- With the gas line shut off, install the Tempest (see the Tempest manual). Before attaching the Tempest head, leak test the connections. Turn on the gas and thoroughly test operation of the Tempest.

\* The access hole is positioned so the front, sides, or back of the Tempest, when installed, is directly over the access hole (the mounting holes for the head are at a 45° angle to the access hole).



**\*NOTE:** The distance from ground level to the top of the Torch shall be a minimum of 7' (2.1m) where installed within 2' (0.6M) of public walkways (e.g.: sidewalk, shared walkway between two homes, or pathway in commercial applications). Lesser clearances shall be permitted to be used only where acceptable to the authority having jurisdiction.

63" - Minimum height above grade the top of the post must be above grade to meet this requirement.