



1 Piece Surround Panel - Flush Wood Plus

See SKUs Below

Compatibility

- Flush Wood Plus Insert Rectangle
- Flush Wood Plus Insert Arched

Surround Panel Sizing

	Height	Width
Rect. Small (96100212)	30-1/2"	42"
Rect. Large (96100215)	34"	44"

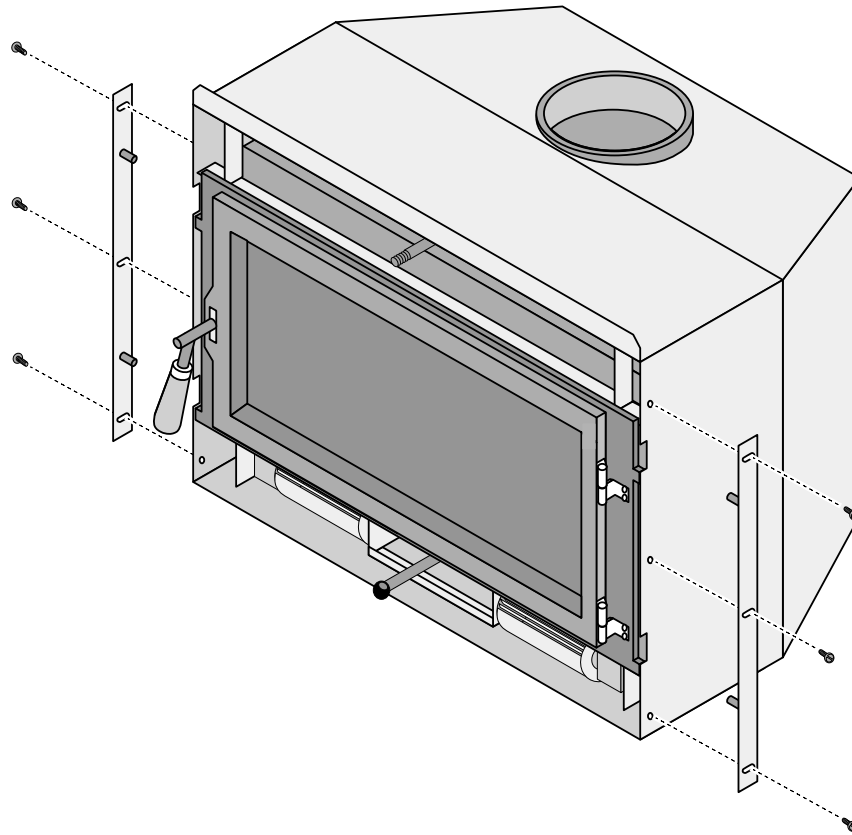
	Height	Width
Arched Small (96100224)	30-1/2"	42"
Arched Large (96100225)	34"	44"

Packing List

- Panel
- (2) Panel Mounting Brackets

Installation

1. Before installing, the insert should be in place with the flue attached. Attach the brackets as shown below, using the screws included in the hardware pack with the insert. Make sure the brackets are flush with the front of the convection chamber.

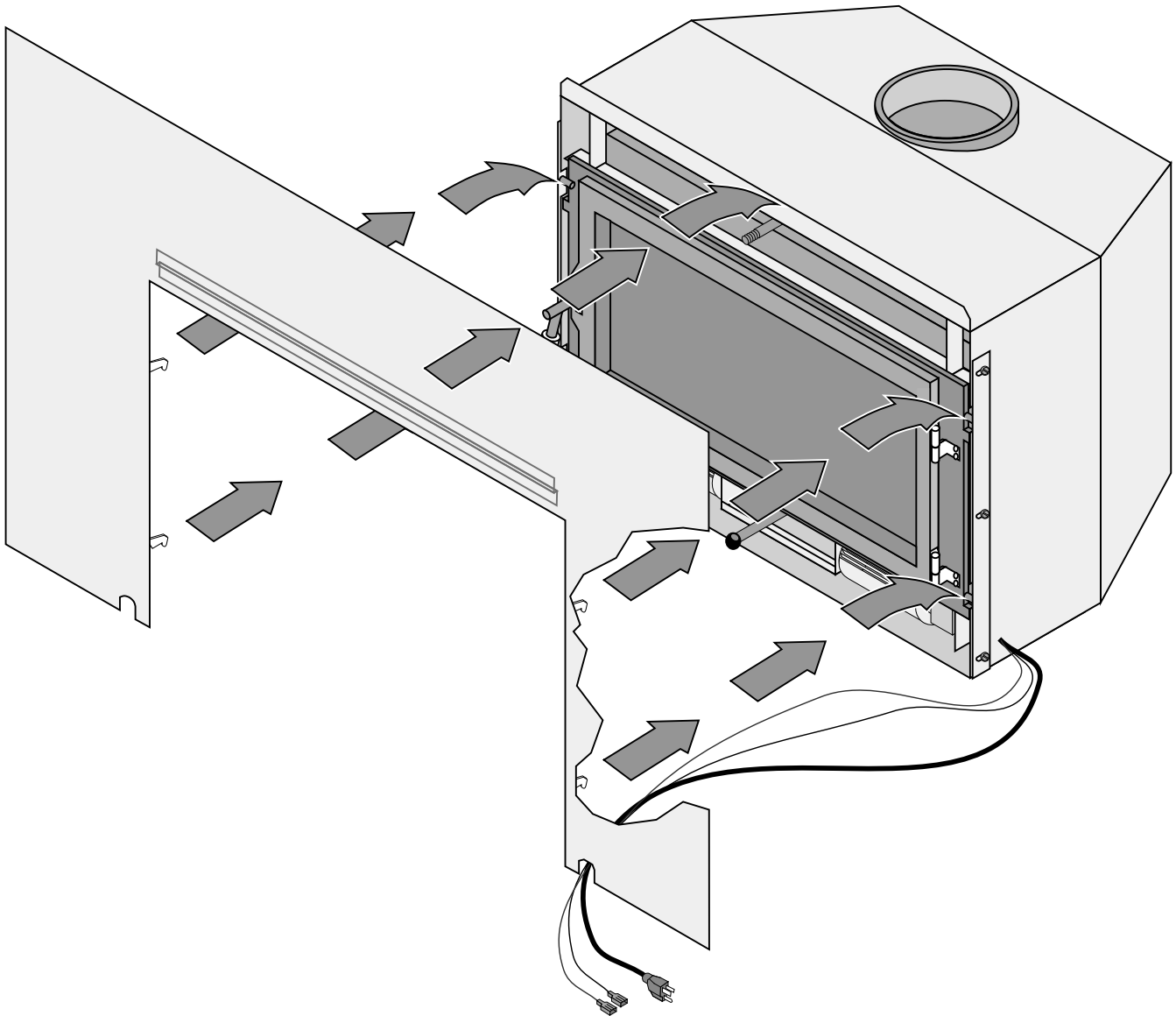




1 Piece Surround Panel - Flush Wood Plus

See SKUs Below

2. Attach the surround panel as shown below.



HINT: When installing the panel, route the wires through the notch on the bottom of the panel (either side).