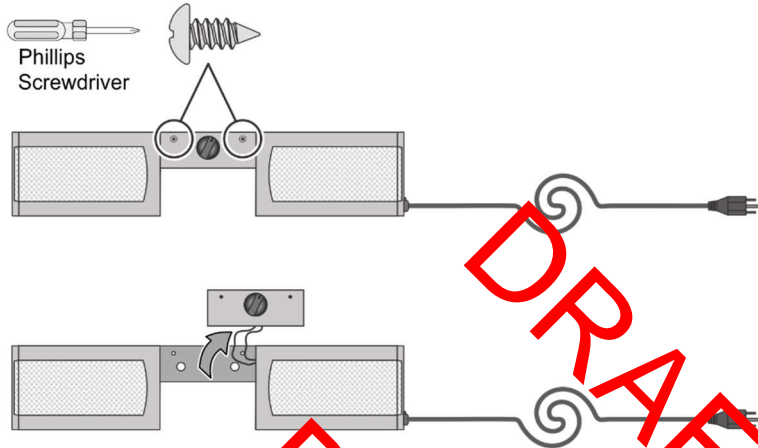


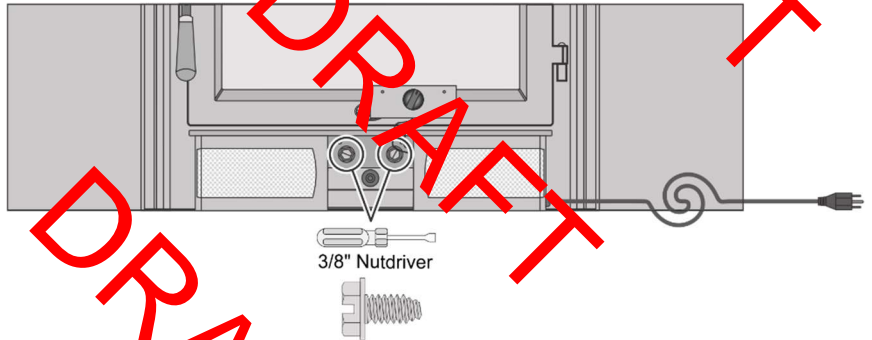


Lopi Insert Fan Installation Instructions

- Remove the (2) Phillips head screws that secure the rheostat mounting plate to the blower assembly (set the screws aside for reinstallation). Lift the rheostat mounting plate out of the way but leave the wires connected. You will now see the (2) holes on the blower assembly used to mount the assembly.

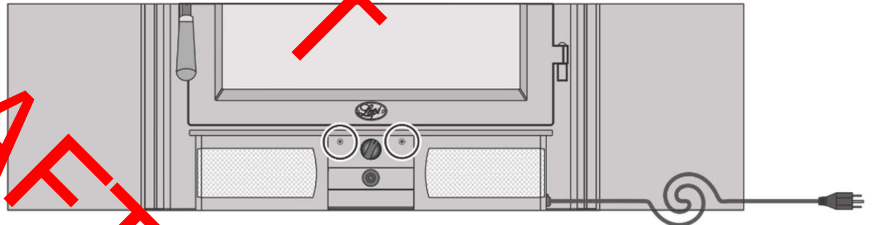


- Place the blower assembly into position under the ashlip of the insert. Align the mounting holes in the blower assembly with the holes in the insert. Secure the blower assembly to the insert using the mounting bolts removed in step 1.



NOTE: Before tightening the screws with a 3/8" nut driver, lift the blower up so it tucks underneath the ashlip and make sure no wires will be pinched.

- Put the rheostat mounting plate back in place and secure it to the blower assembly using the (2) Phillips screws removed in step 2.



- Plug the power cord running from the blower into a grounded 110-volt electrical outlet.

Blower Operation

The blower will not start until the appliance is up to temperature, activating a thermodisk, which then allows power to the motor. Once up to temperature, the blower will operate at the speed determined by the position of the blower knob (see the illustration below). The blower will shut off automatically once the appliance cools.

OFF

Turn the dial all the way counter-clockwise until it clicks off



HIGH

The high position is all the way counter-clockwise, **without** clicking off



LOW

Turn the dial all the way clockwise.

