



TRAVIS INDUSTRIES
HOUSE OF FIRE

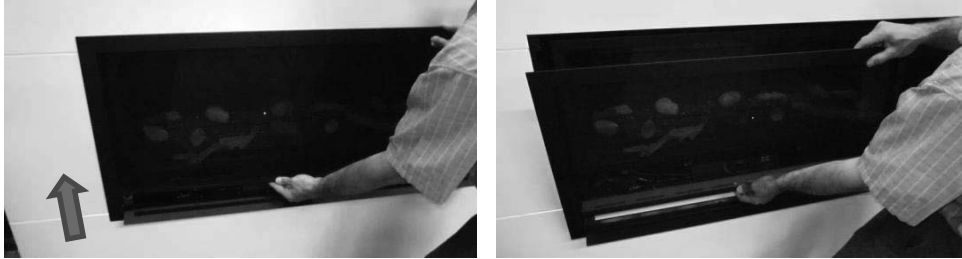
Pro Builder Linear Fireplace (MV & GSB2) Cheat Sheet

The Pro Builder Linear has several new characteristics that require special attention during installation. **Refer to the manual for full details.**

The Screen and Decorative Trim are One Assembly and Come With The Fireplace.

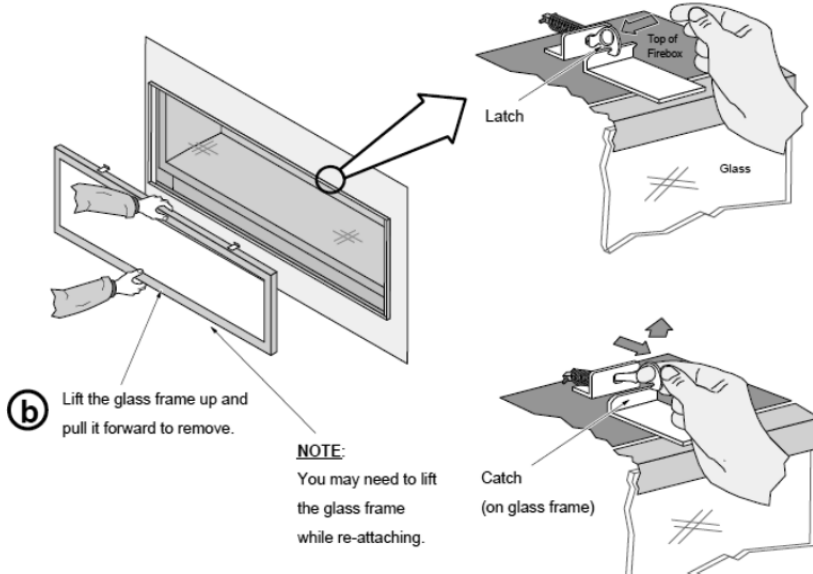
This fireplace uses a newly designed screen barrier. Make sure to remove the barrier prior to removing the glass frame.

1. Open the control door at the bottom of the assembly. Lift the assembly up slightly and tilt the top toward you. Remove the concealment cover and place aside. It has two holes that aid in removal.



2. Remove the glass frame following the directions below.

- a Open the four latches holding the glass frame in place (start with the bottom) - follow the directions shown to the right.



Install The Blowers First (if Applicable). SKU# 99000194

If a blower is being used it is best to install the blower before the fireplace is installed. The blower is best installed by removing the front cover. This must be done before the fireplace facing (tile, etc.) is placed over the front of the fireplace. If the facing has been installed, the blower may be installed by removing the burner then removing the two access plates on the firebox floor.





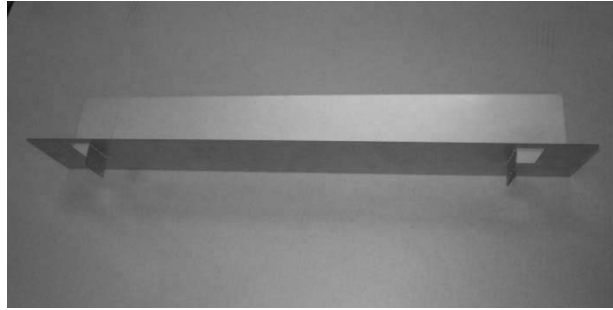
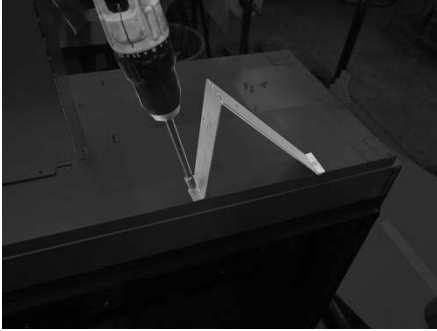
TRAVIS INDUSTRIES
HOUSE OF FIRE

Pro Builder Linear Fireplace (MV & GSB2) Cheat Sheet

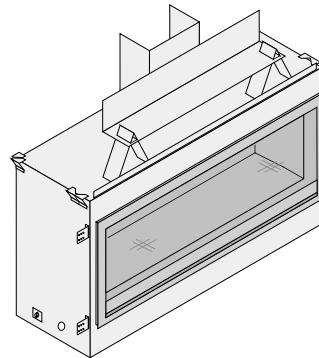
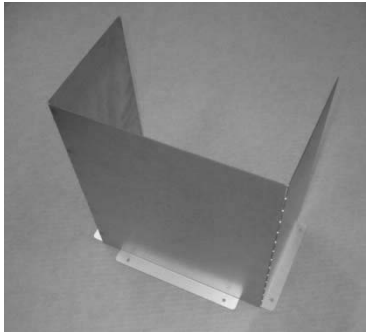
Standoffs and Header / Pipe Shield Must be Assembled

The header standoffs and both heat shields MUST be used for every installation.

Construct the header standoffs on the top of the fireplace (see picture below to the left – see manual for details). Attach the header shield to the standoffs (see picture below to the right).



The pipe shield is attached to the top of the unit (see picture below to the left). When finished the fireplace should be configured like the picture to the right, below.



This Fireplace is Compatible with the Basic Wall Mount SIT Remote (SKU# 99300695)

This fireplace is designed to use the basic wall mount remote and receiver (made by SIT).

NOTE: It is easier to do the conversion with the front access panel removed. For ease of access, we recommend that the conversion be done before the unit is installed in the wall.

If using LP (Propane)

Use the kit included with the appliance to convert the unit to use LP gas.

NOTE: It is easier to do the conversion with the front access panel removed. For ease of access, we recommend that the conversion be done before the unit is installed in the wall.

Crushed Glass Installation

When installing the glass, make sure the area near the pilot and the rear air channel behind the burner are free of crushed glass. Use a screwdriver to clear this area (See manual for details.)

