

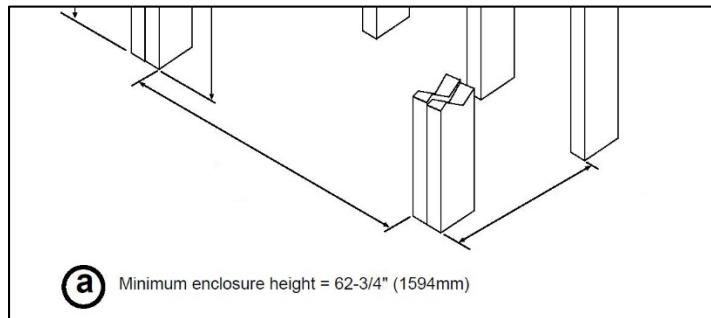
864TV 40K (GSR2) (STD & CF) Cheat Sheet

The new 864TV 40K fireplace has several new characteristics that require special attention during installation. **Refer to the manual for full details.**

- Unlike its predecessors, the 864TV 40K is a **TOP VENT ONLY**. Horizontal terminations with NG gas requires a 1' minimum rise of the unit. LP gas requires 2' minimum.

- **NG Installations require 1' Vertical Vent Section Directly off Top of Fireplace**
- **LP Installations require 2' Vertical Vent Section Directly off Top of Fireplace**

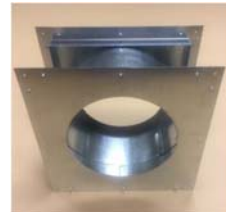
- Logs must be ordered separately. The standard logs are available and we releasing a Birch log set soon.



- Due to the fireplace being Top Vent only, the minimum enclosure height has increased to 62-3/4"

- All horizontal terminations require 8" Venting.

- A wall thimble is included with the fireplace. It provides the required 1" clearance to combustibles and is required when penetrating a combustible wall.



- Ember Bed Lights are now standard in the fireplace.



- This fireplace is compatible with the CoolSmart TV system. This kit allows for a TV pocket to be installed or an installation of a TV above the fireplace without a mantel.

- There is a new, easy to access, top accent light.

