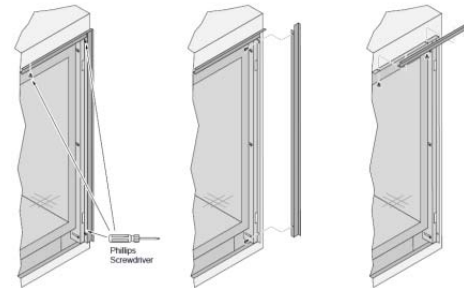


The new ProBuilder 24CF, 36CF & 42CF fireplace has several new characteristics that require special attention during installation. **Refer to the manual for full details.**

- This fireplace comes with a standard log set.
- Ember-Glo™ Lights are an optional accessory for the fireplace. IT IS EASIER TO INSTALL THE LIGHTS PRIOR TO INSTALLING THE FIREPLACE.



- An optional blower kit is available for this fireplace (sku# 99000199) – IT IS EASIER TO INSTALL THE BLOWERS PRIOR TO INSTALLING THE FIREPLACE.
- This fireplace is compatible with the CoolSmart TV system:
Use 98900778 for the 24 & 36 (see manual and online instruction sheet for details)
Use 98900779 for the 42 (see manual and online instruction sheet for details)

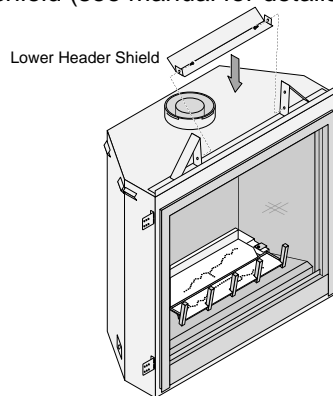


- The fireplace is a TOP VENT ONLY but can terminate horizontally.
- A thick facing guide is pre-installed on the fireplace (see illustration to the right). See the manual for details on this component.
- The SIT Basic Remote is compatible with this fireplace (sku# 99300695).
- A wall thimble is included with the fireplace. It is required when penetrating a combustible wall (see manual for details).



PB 42 Only

LOWER HEADERSHIELD - Make sure to install the lower headershield (see manual for details).



REMOVE RIVET SHIELD IF USING FIREBACKS – This component is used to conceal fasteners when no firebacks are used.

