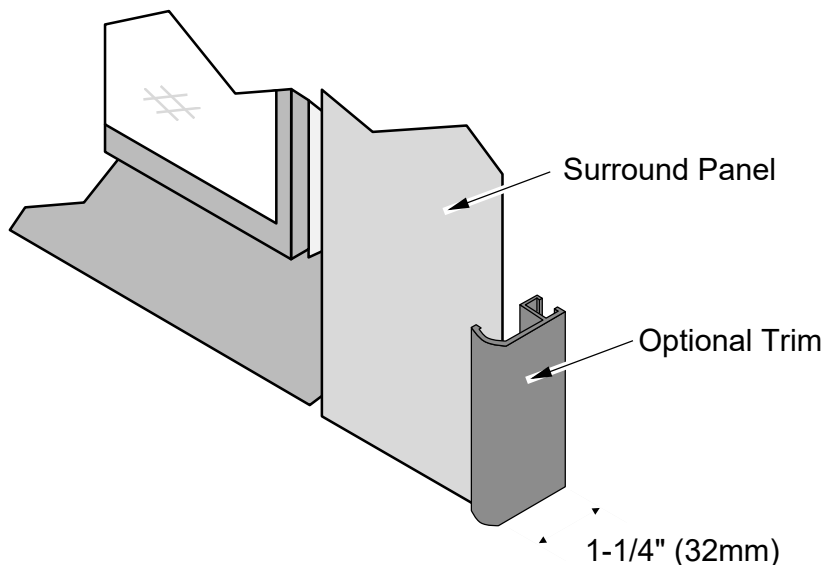


## Part Numbers & Compatibility

| <u>Part Number (sku)</u> | <u>Height x Width</u> | <u>Compatible Units</u>   |
|--------------------------|-----------------------|---|
| 96500891                 | 25" x 38"             | <ul style="list-style-type: none"> <li>• DVS Insert (96100318)</li> <li>• 430 Insert (96100337)</li> <li>• Radiant Medium Insert (96100552)</li> </ul>  |
| 96500892                 | 28-1/2" x 40"         | <ul style="list-style-type: none"> <li>• DVS Insert (96100324)</li> <li>• 430 Insert (96100338)</li> <li>• Radiant Medium Insert (96100553)</li> <li>• Answer Wood Insert (96100440)</li> </ul>   |
| 96500893                 | 30-1/2" x 42"         | <ul style="list-style-type: none"> <li>• DVL Insert (96100323)</li> <li>• 616 Insert (96100349)</li> <li>• Radiant Large Insert (96100562)</li> <li>• Answer Wood Insert (96100441)</li> <li>• Flush Wood Medium (96100212)</li> <li>• Evergreen Insert (96100394)</li> <li>• DaVinci 31 GreenSmart Electric Insert (96100564)</li> </ul> |
| 96500894                 | 34" x 44"             | <ul style="list-style-type: none"> <li>• DVL Insert (96100319)</li> <li>• 616 Insert (96100350)</li> <li>• Radiant Large Insert (96100563)</li> <li>• Flush Wood Medium (96100215)</li> <li>• Evergreen Insert (96100395)</li> <li>• DaVinci 31 GreenSmart Electric Insert (96100565)</li> </ul>  |

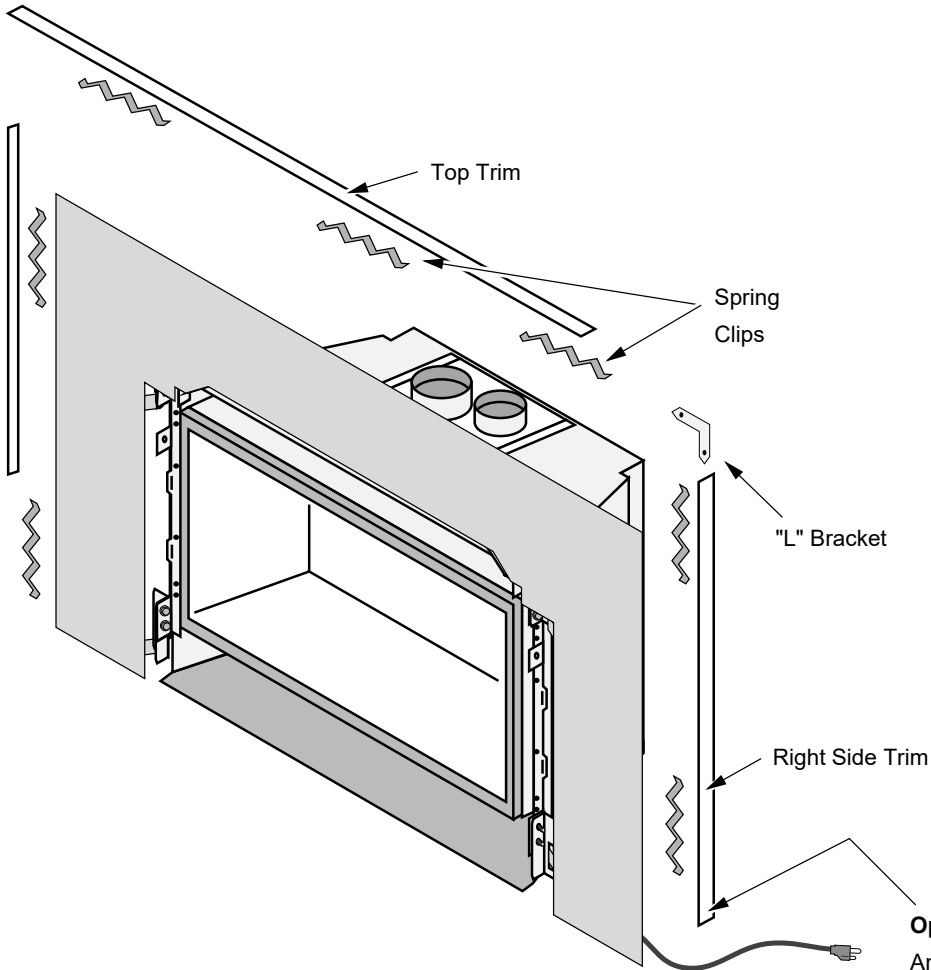
## Installation Sizing

When using this trim, the insert will be located 1-1/4" forward of its standard location relative to the fireplace (see illustration below). This will position the appliance an extra 1-1/4" onto the hearth and 1-1/4" less into the fireplace. This will affect fireplace sizing and hearth requirements (see insert manual for details).



## Installation

Install the panel trim as shown below.



**Trim Installation:**  
 Insert one leg of each "L" bracket into the top and side trim piece. Align the trim to form a precise corner, then tighten the two set screws with a small standard screwdriver. Slide the trim over the panels. Place the spring clips behind the panels at the locations shown. This keeps the trim tight against the panel.

### Optional Knock-Out

An optional knock-out is provided on both sides if the power cord is routed behind the surround panel.