



**TRAVIS  
INDUSTRIES<sup>®</sup>  
HOUSE OF FIRE**

# Gas Fireplace Framing Guide 2021

| Models         |                 |                      |                  |
|----------------|-----------------|----------------------|------------------|
| 21 TRV         | 3615 HO         | ProBuilder 42 Linear | ProBuilder 24 CF |
| 564 TRV 25K    | 4415 HO         | ProBuilder 54 Linear | ProBuilder 36 CF |
| 564 TRV 25K CF | 4415 HO ST      | ProBuilder 72 Linear | ProBuilder 42 CF |
| 564 HO         | 6015 HO         |                      |                  |
| 864 TRV 31K    | 4237 Clean Face |                      |                  |
| 864 TRV 31K CF |                 |                      |                  |
| 864 ST         |                 |                      |                  |

**NOTE: FOR GENERAL REFERENCE ONLY.  
Always consult the product installation manual  
for detailed installation information.**

**Manuals can be found at  
[www.fireplacex.com](http://www.fireplacex.com)**

or

by scanning the  
QR code on each page

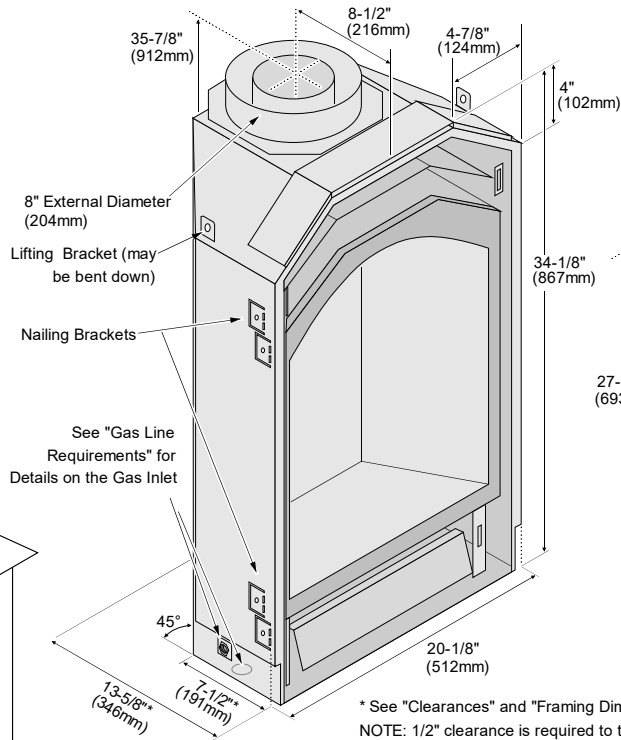


# 21TRV Framing Guide

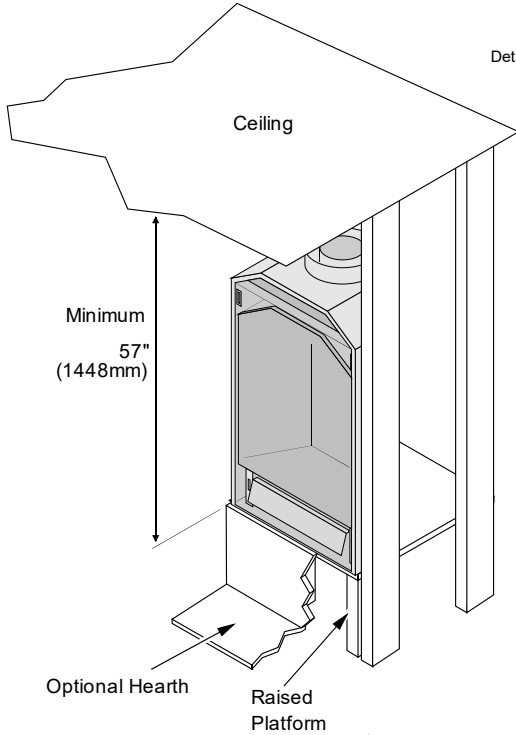
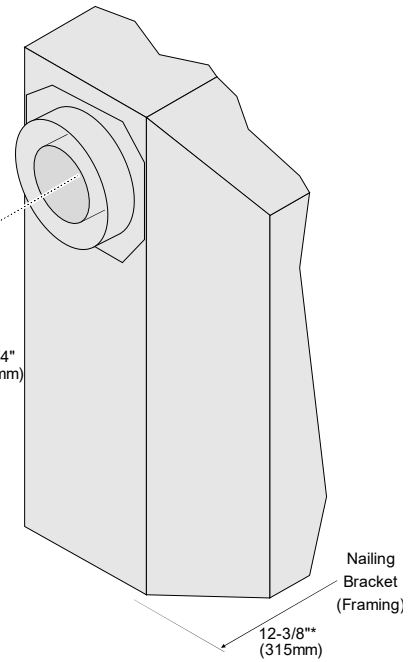


12521 Harbour Reach Drive  
Mukilteo, WA 98275-5458

### Top Vent Configuration



### Rear Vent Configuration

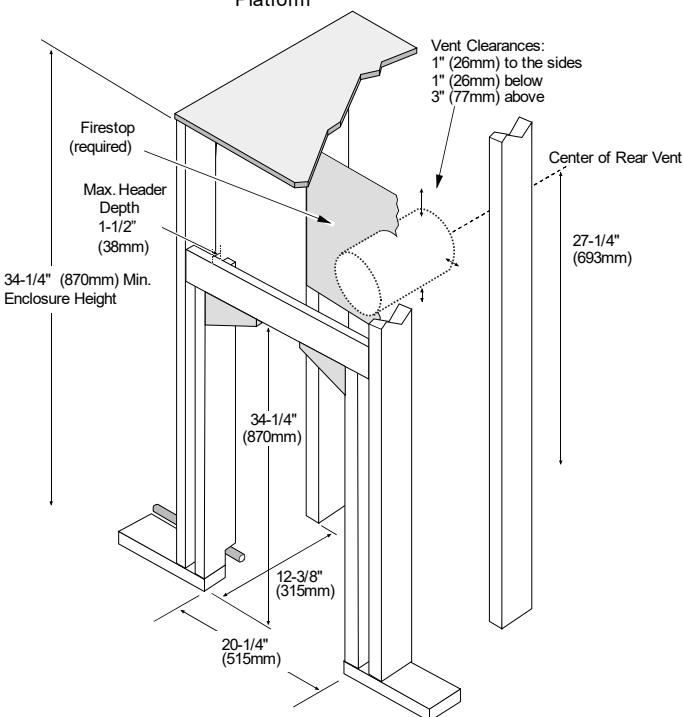


\* See "Clearances" and "Framing Dimensions" for details.  
NOTE: 1/2" clearance is required to the angled sides and rear of the fireplace.

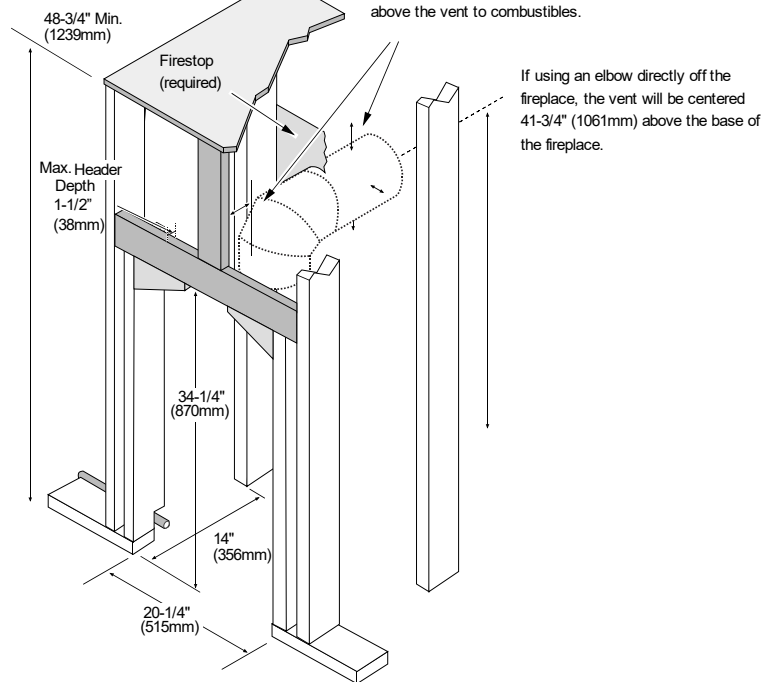
Scan for  
Installation Manual



This document is for reference purposes only. **Consult the installation manual BEFORE making installation decisions.**



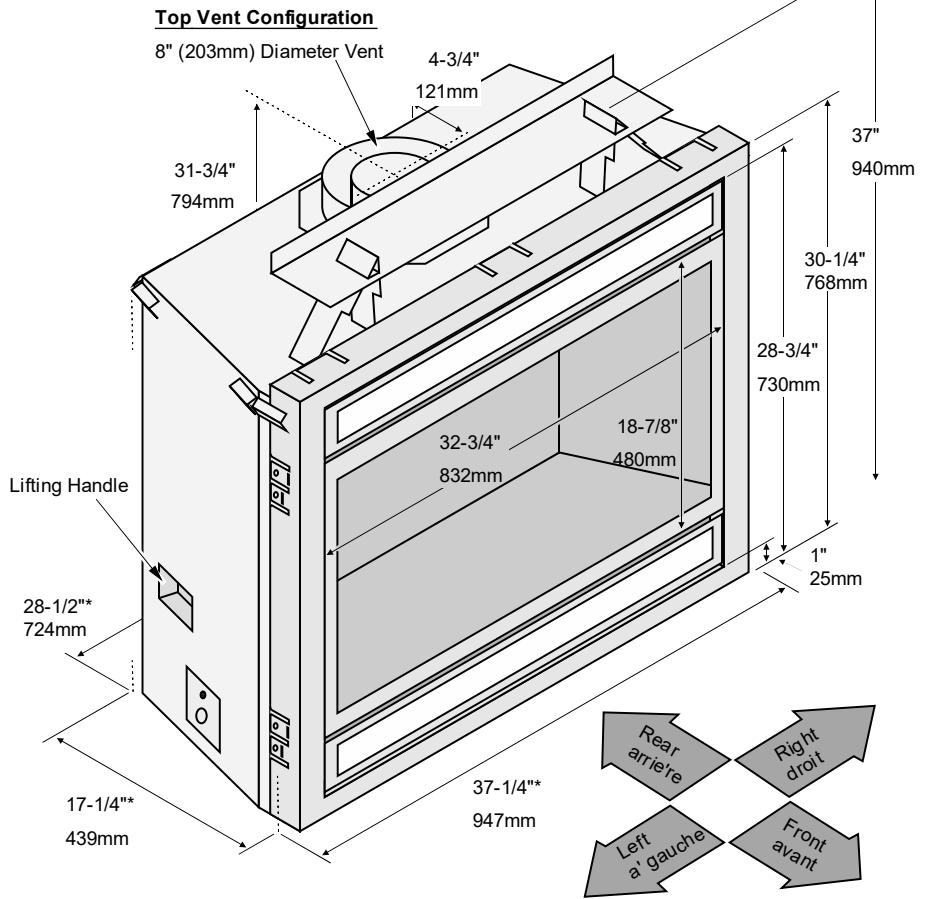
Vent Clearances:  
1" (26mm) to the sides, 1" (26mm) below, and 3" (77mm) above the vent to combustibles.



# 564 TRV 25K Framing Guide



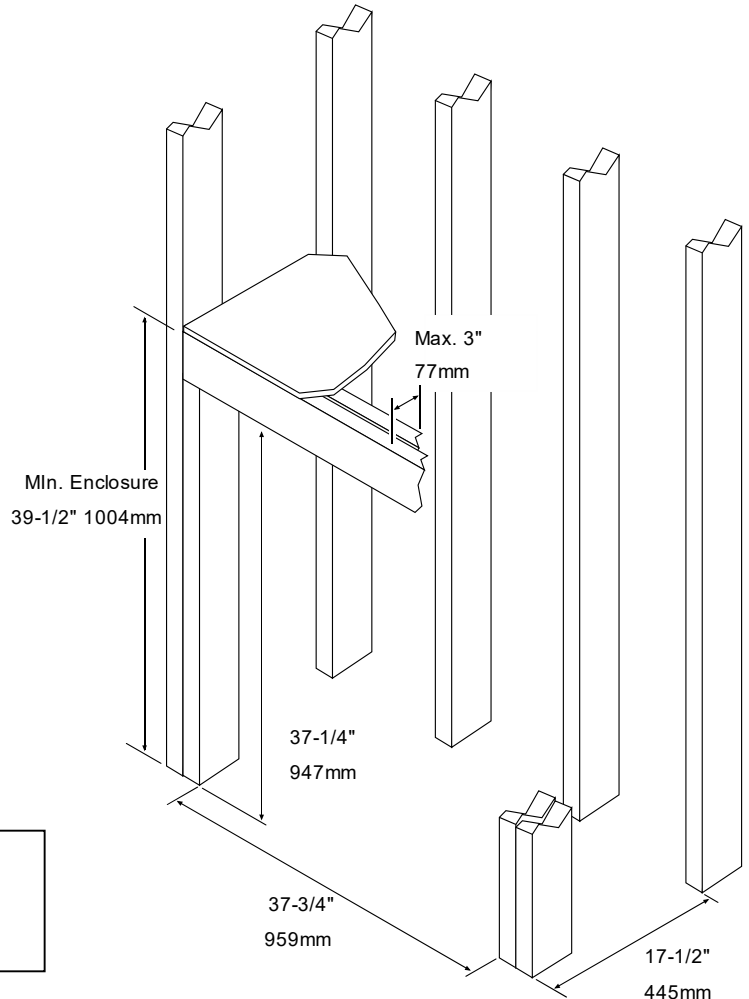
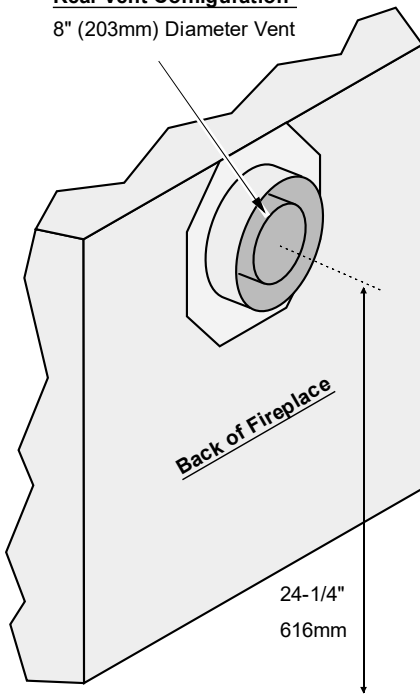
12521 Harbour Reach Drive  
Mukilteo, WA 98275-5458



\* Includes 1/2" (13mm) clearance - see "Clearances" and "Framing Dimensions" for details.

**Rear Vent Configuration**

8" (203mm) Diameter Vent



Scan for Installation Manual



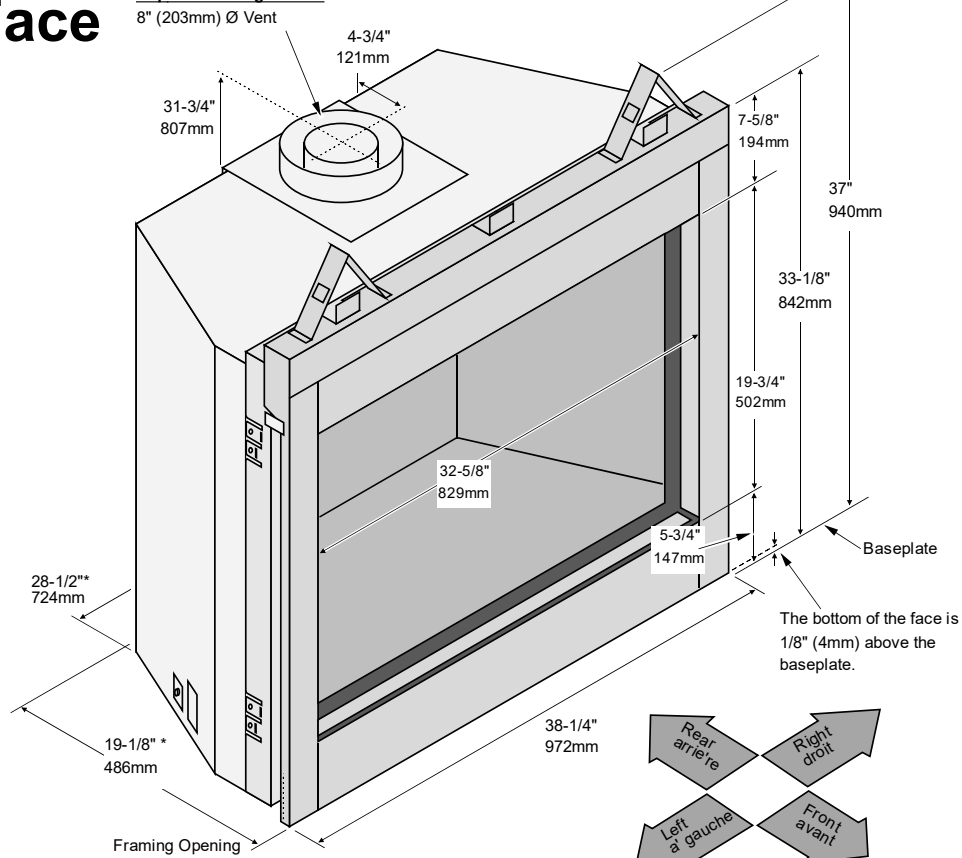
This document is for reference purposes only. **Consult the installation manual BEFORE making installation decisions.**

# 564 TRV 25K CleanFace Framing Guide



12521 Harbour Reach Drive  
Mukilteo, WA 98275-5458

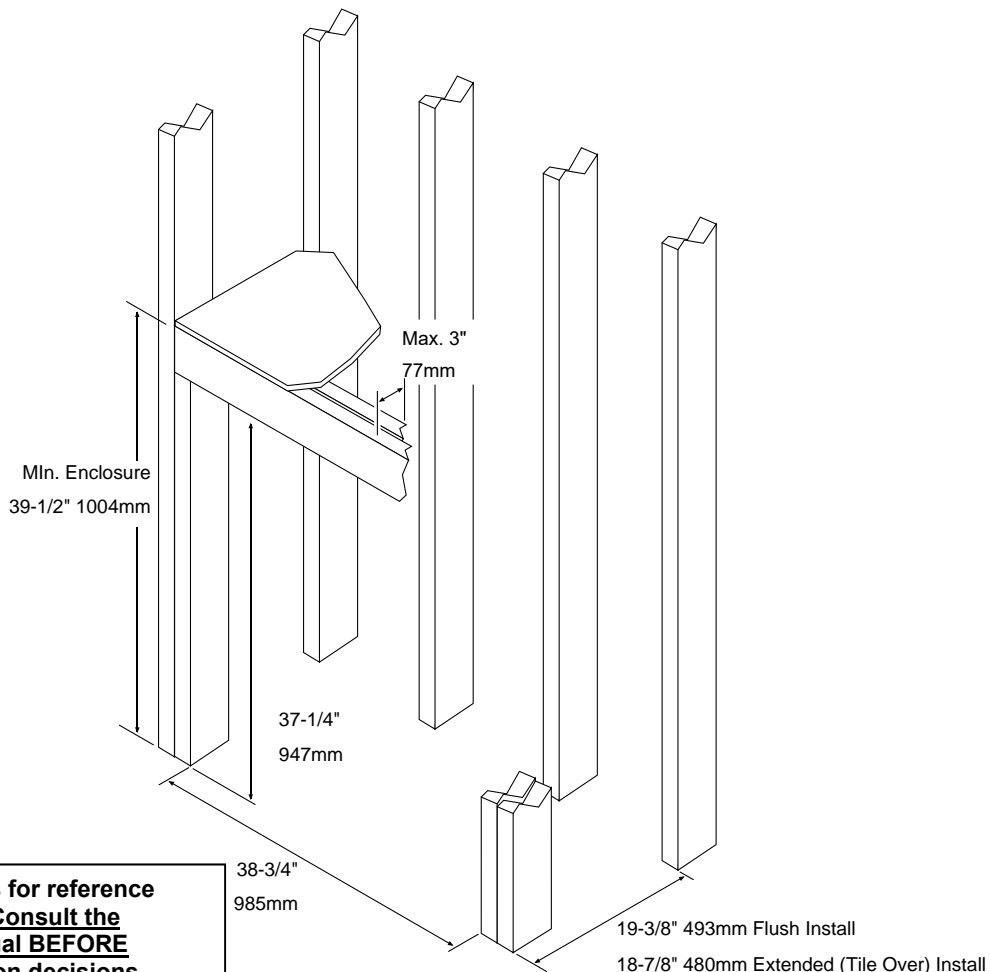
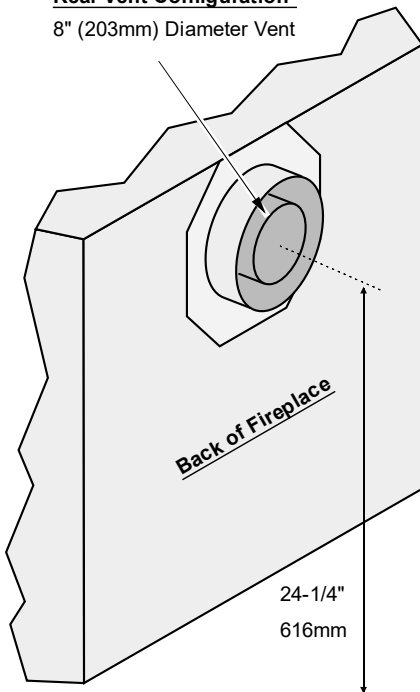
### Top Vent Configuration



\* See "Clearances" and "Framing Dimensions" for details.

### Rear Vent Configuration

8" (203mm) Diameter Vent



Scan for  
Installation Manual

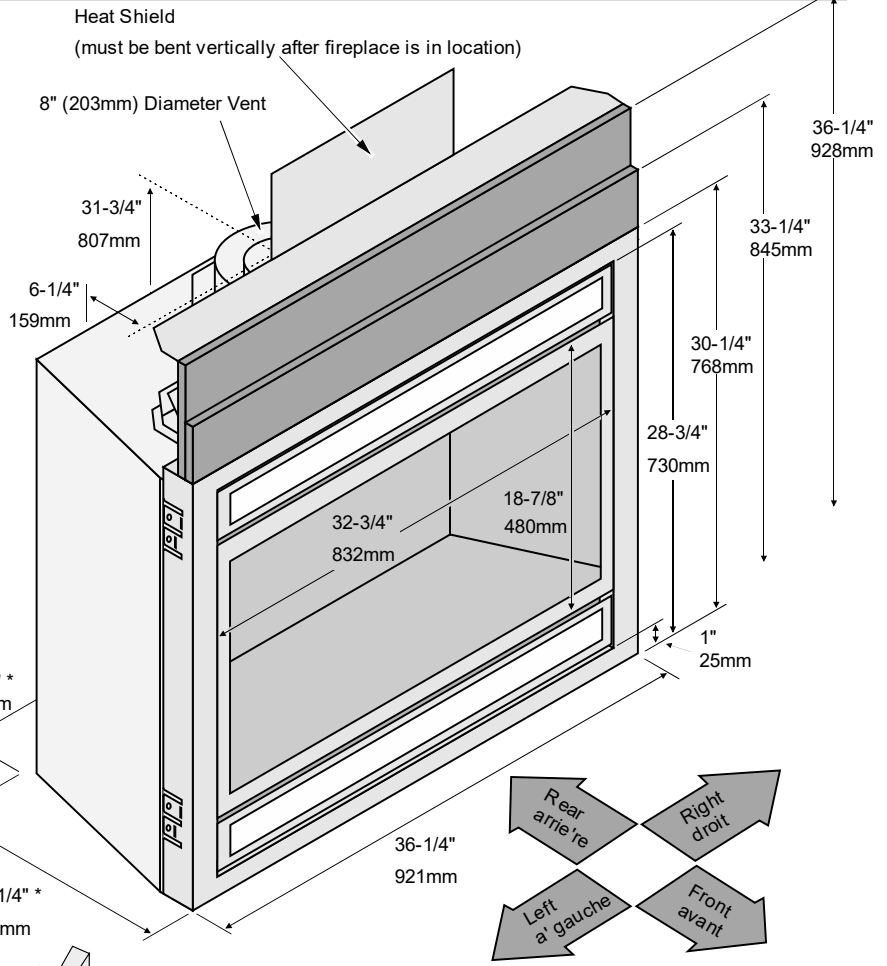


This document is for reference purposes only. **Consult the installation manual BEFORE making installation decisions.**

# 564 HO NB Framing Guide

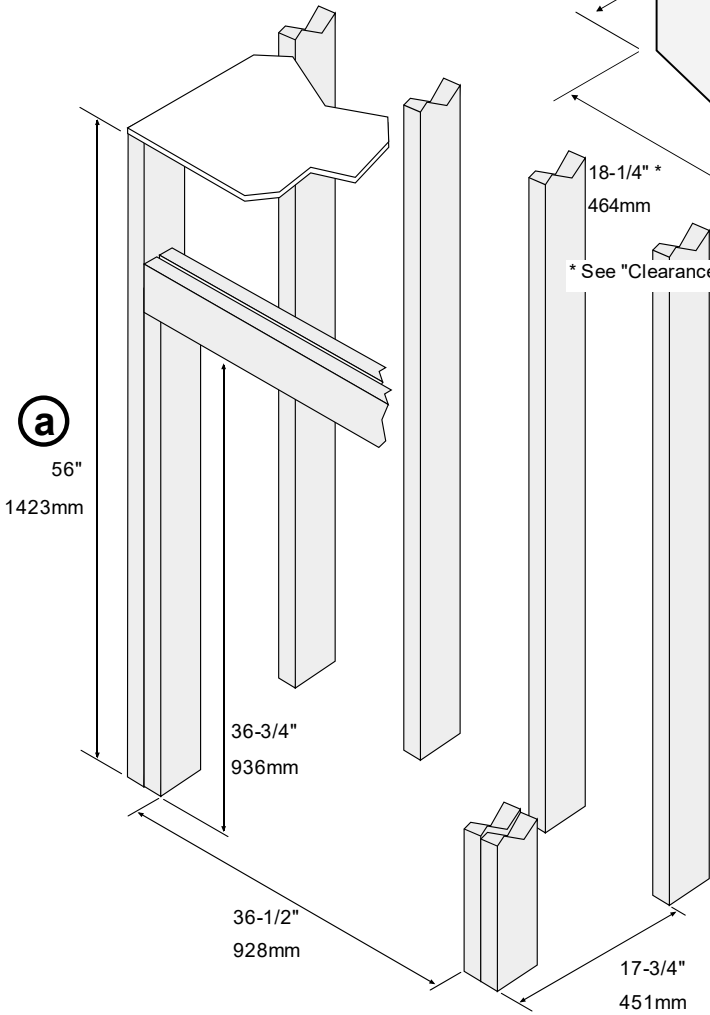


12521 Harbour Reach Drive  
Mukilteo, WA 98275-5458



\* See "Clearances" and "Framing Dimensions" for details.

**Weight:** 165 Lbs. (74 kg)



(a) Minimum Enclosure Height

This document is for reference purposes only. Consult the installation manual **BEFORE** making installation decisions.

Scan for  
Installation Manual



# 864 TRV 31K Framing Guide



12521 Harbour Reach Drive  
Mukilteo, WA 98275-5458

### Top Vent Configuration

8" (203mm) Ø Vent

7-1/4"  
184mm

Optional "CoolSmart TV" or  
"Power Heat Duct" Connection

38-1/4"  
972mm

38-1/4"  
972mm

36-3/4"  
933mm

35-1/4"  
895mm

1"  
25mm

37"  
940mm

28-5/8"  
728mm\*

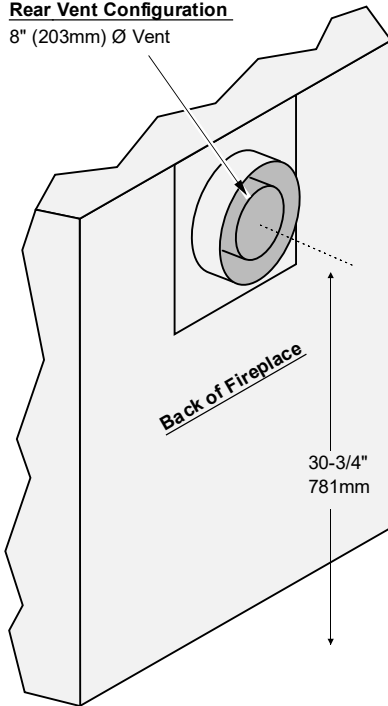
20-3/4"  
528mm\*

41"  
1041mm

\* See "Clearances" and "Framing Dimensions" for details.

### Rear Vent Configuration

8" (203mm) Ø Vent

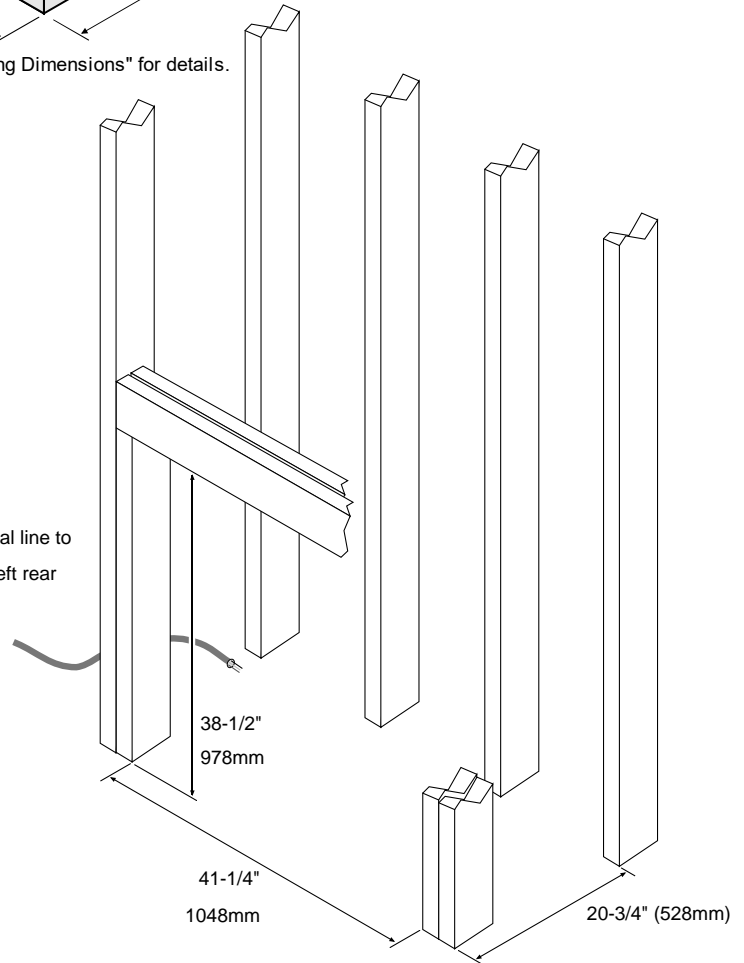


This document is for reference purposes only. **Consult the installation manual BEFORE making installation decisions.**

Scan for  
Installation Manual



Route the electrical line to a position to the left rear of the fireplace.

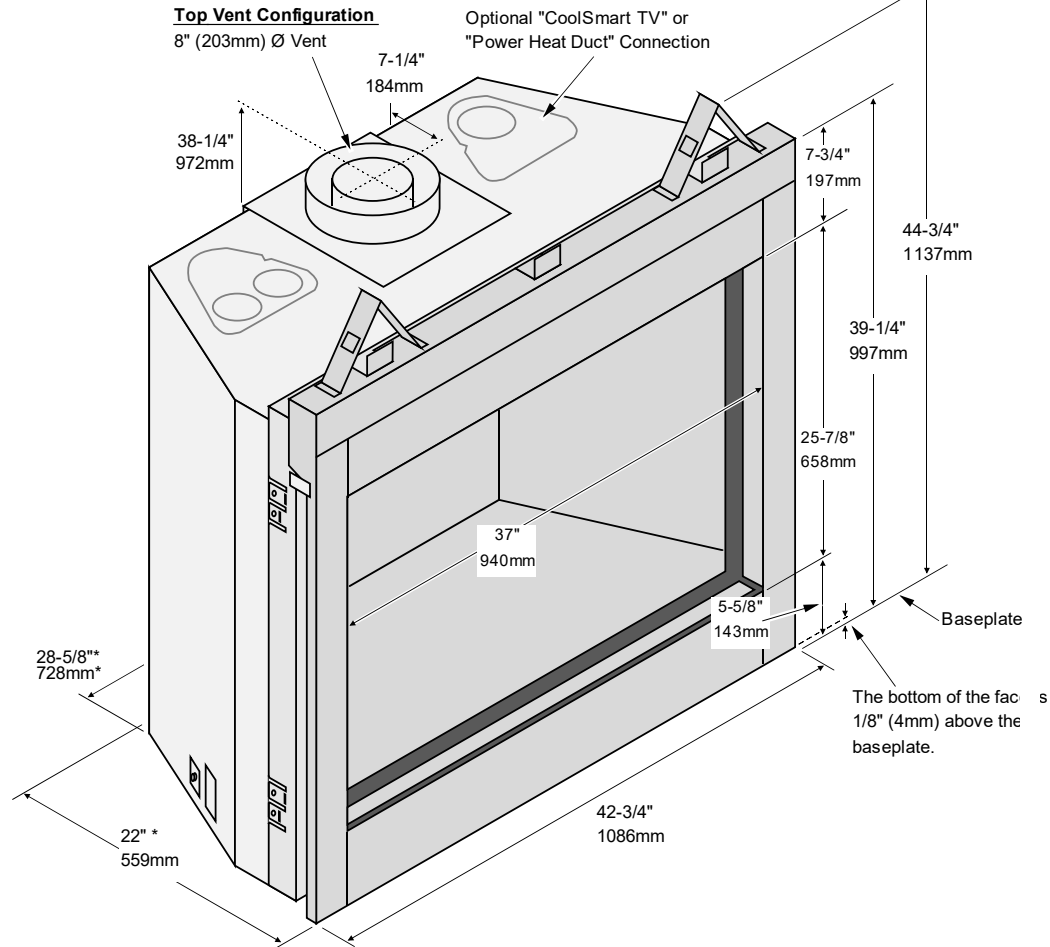


Minimum enclosure height = 38-1/2" (978mm)

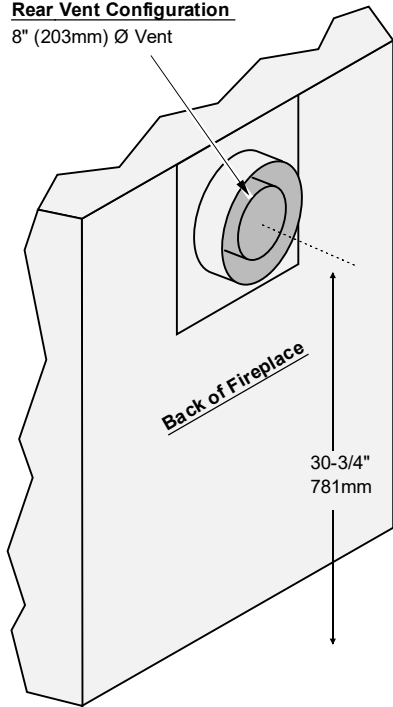
# 864 TRV 31K CleanFace Framing Guide



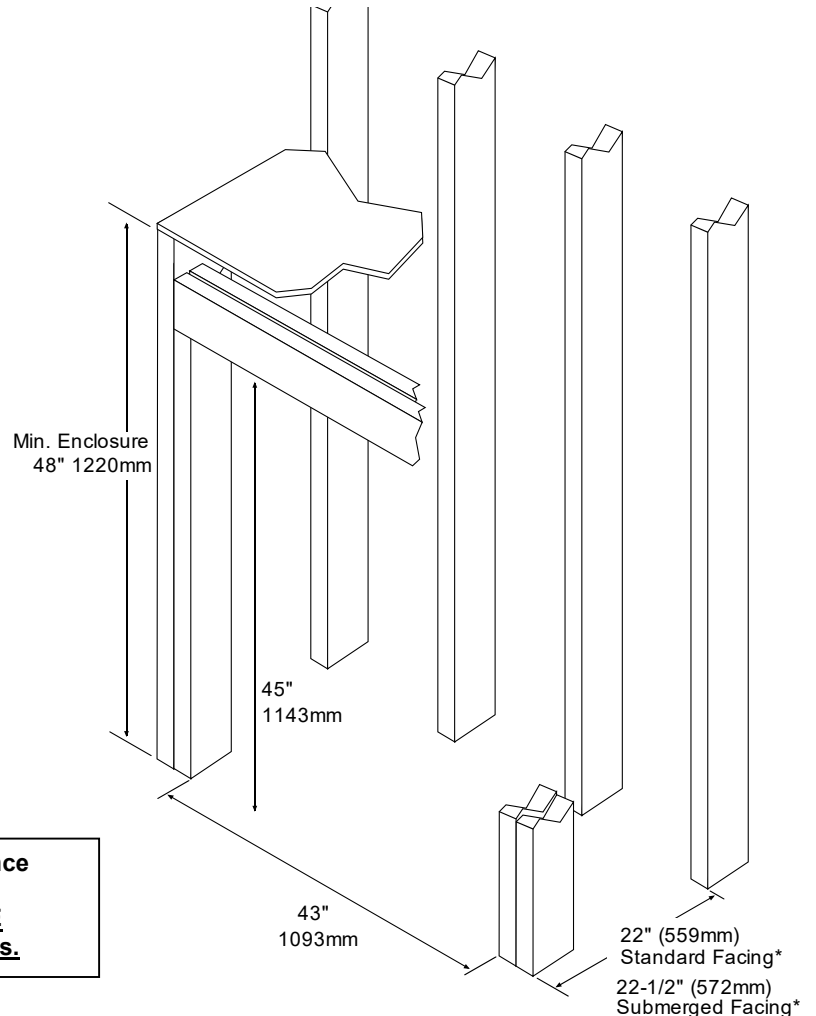
12521 Harbour Reach Drive  
Mukilteo, WA 98275-5458



### Rear Vent Configuration 8" (203mm) Ø Vent



\* See "Clearances" and "Framing Dimensions" for details.



Scan for  
Installation Manual

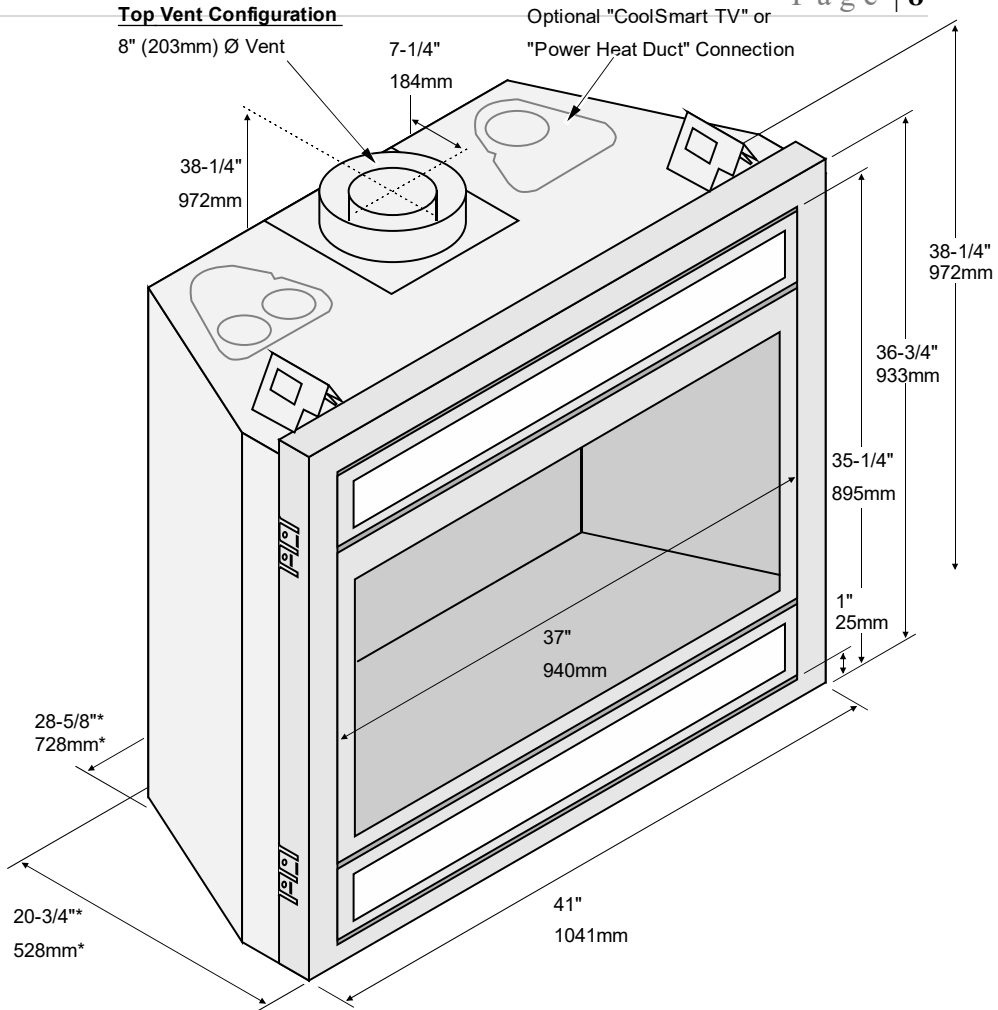
This document is for reference purposes only. **Consult the installation manual BEFORE making installation decisions.**

# 864 TV 40K Framing Guide

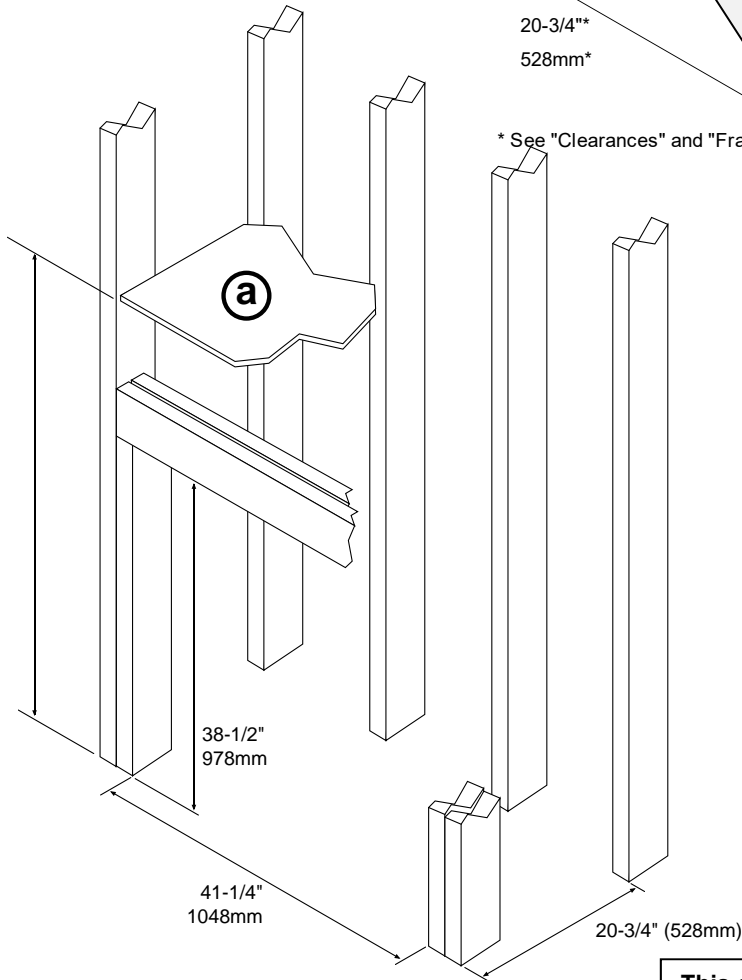


12521 Harbour Reach Drive  
Mukilteo, WA 98275-5458

**Top Vent Configuration**



\* See "Clearances" and "Framing Dimensions" for details.



**(a)** Min. enclosure height NG = 62-3/4" (1594mm)  
Min. enclosure height LP = 74-3/4" (1899mm)

This document is for reference purposes only. Consult the installation manual BEFORE making installation decisions.

Scan for Installation Manual

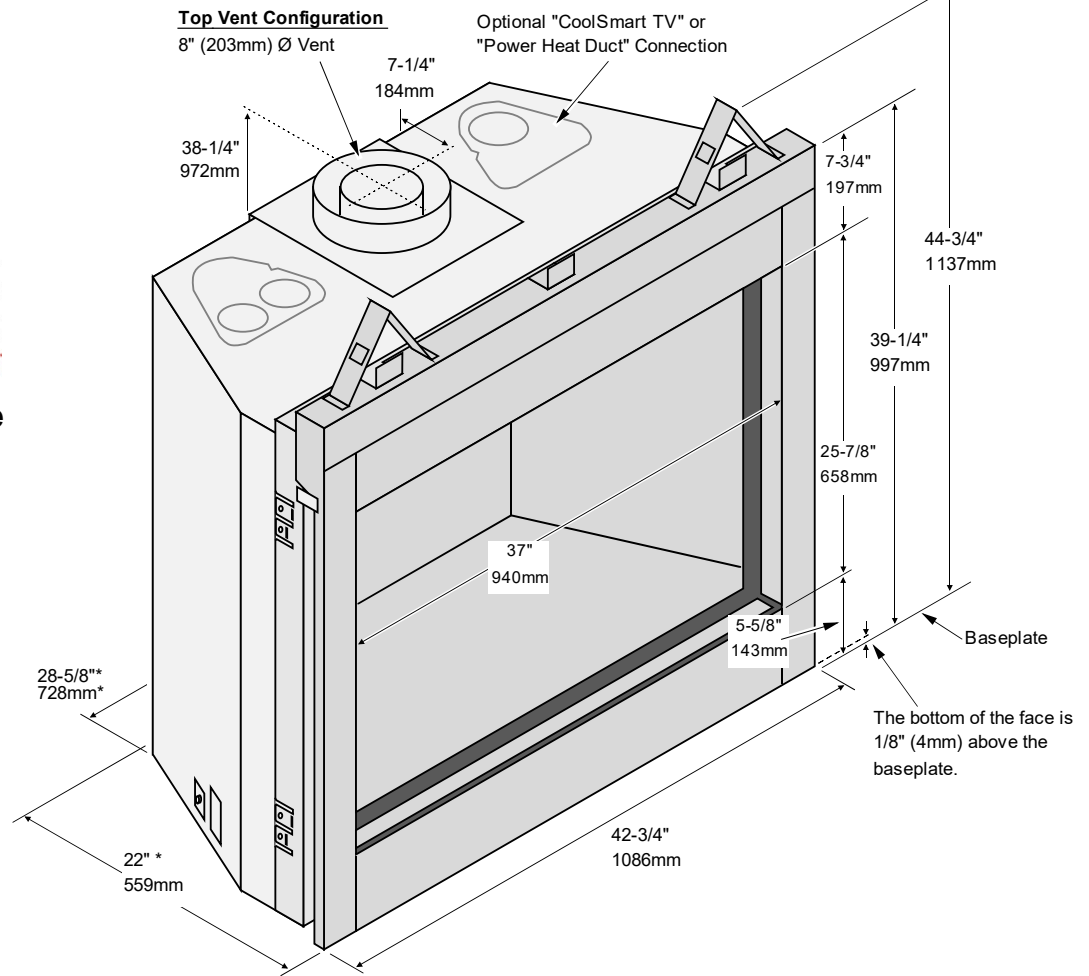




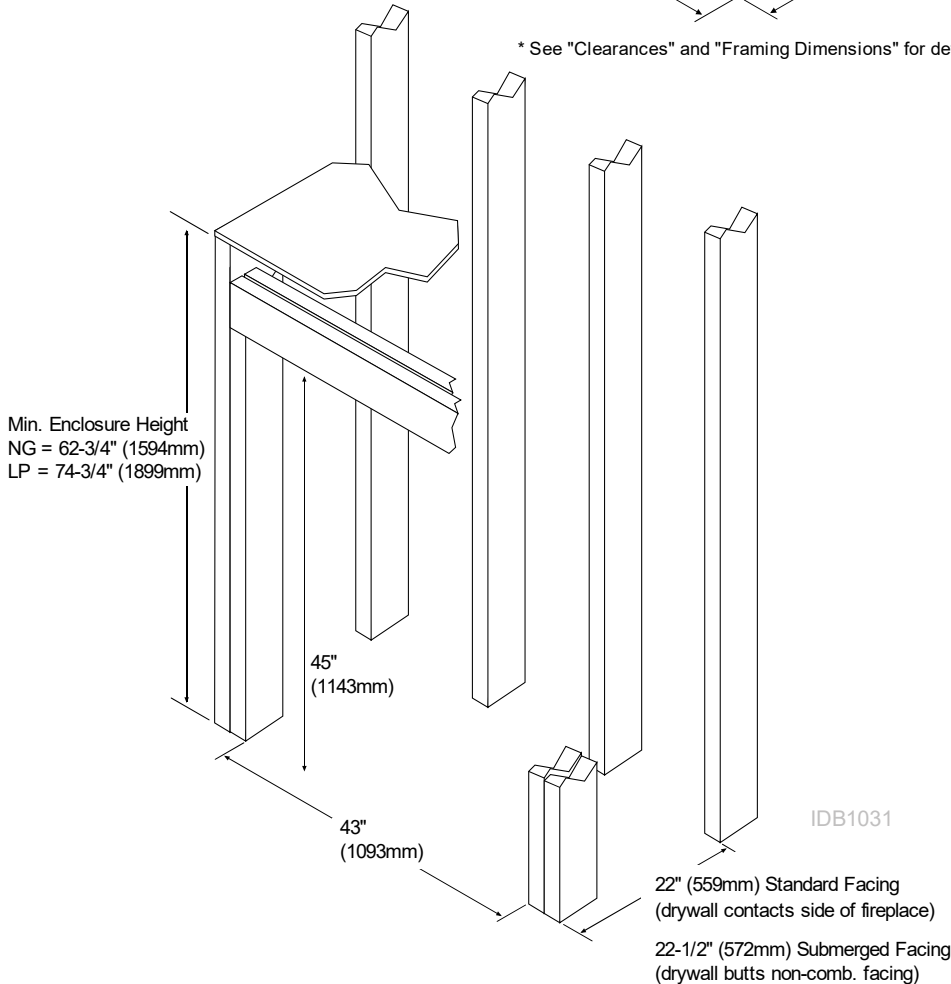
# 864 TV 40K CleanFace



12521 Harbour Reach Drive  
Mukilteo, WA 98275-5458



\* See "Clearances" and "Framing Dimensions" for details.



This document is for reference purposes only. **Consult the installation manual BEFORE making installation decisions.**

**Scan for  
Installation Manual**

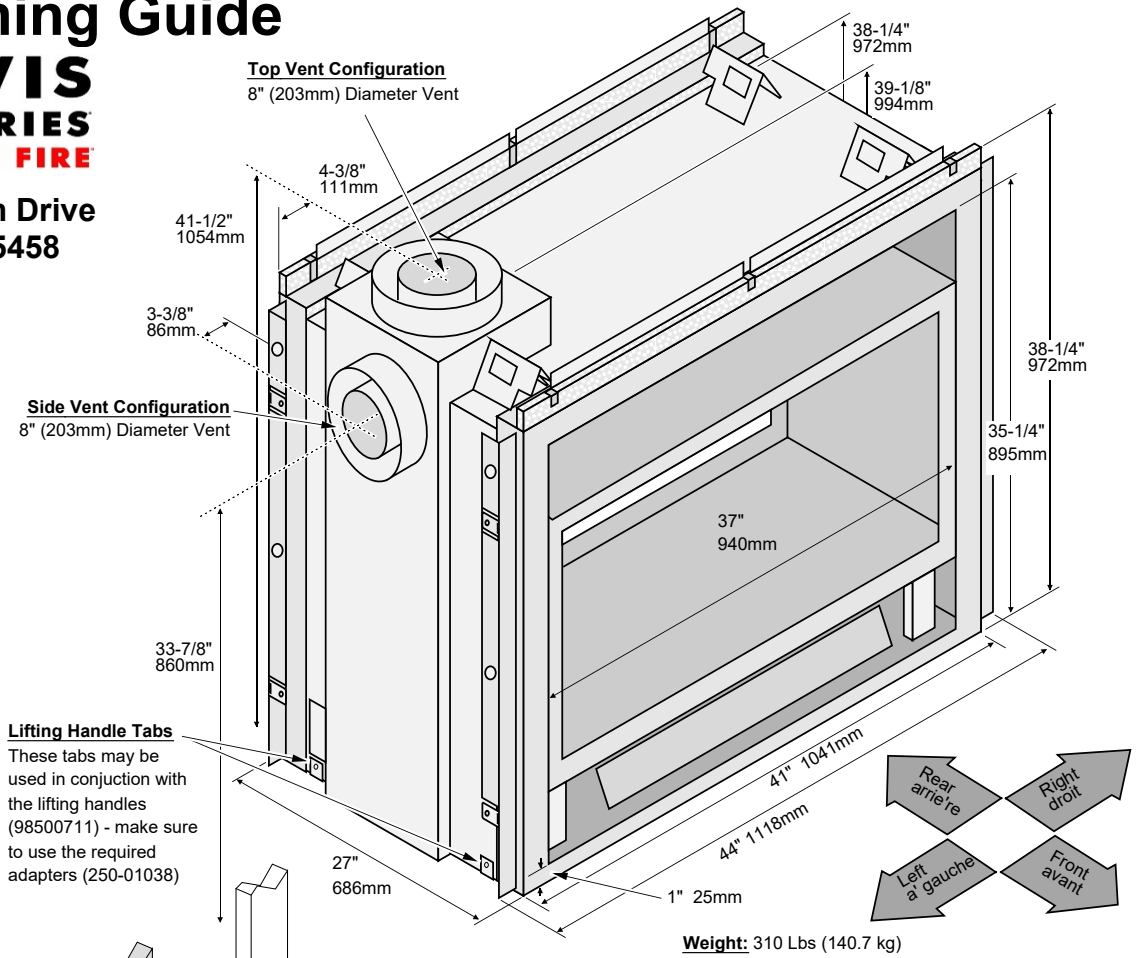
22" (559mm) Standard Facing  
(drywall contacts side of fireplace)

22-1/2" (572mm) Submerged Facing  
(drywall butts non-comb. facing)

# 864ST Framing Guide



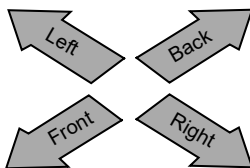
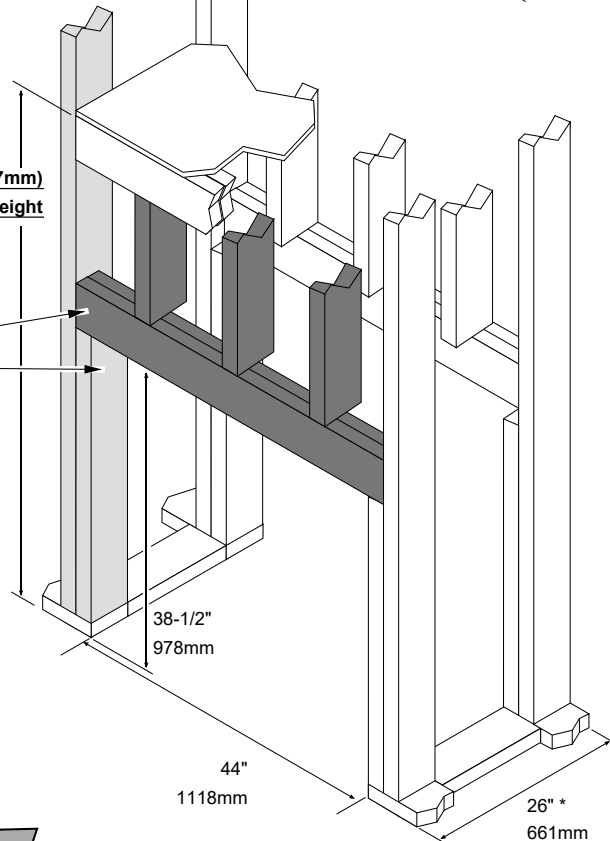
12521 Harbour Reach Drive  
Mukilteo, WA 98275-5458



**Minimum 42" (1067mm)  
Fireplace Enclosure Height**

**NOTE:**  
The shaded framing must be installed after placing the fireplace in position.

The framing above the fireplace interferes with the top of the fireplace. If using the side vent configuration, do not install the framing to the left side (shown in light gray).



\* The 26" (661mm) dimension is based upon 1/2" (13mm) drywall around the perimeter of the fireplace on both sides. If using thicker drywall (or other facing), you will need to adjust this dimension.

This document is for reference purposes only. **Consult the installation manual BEFORE making installation decisions.**

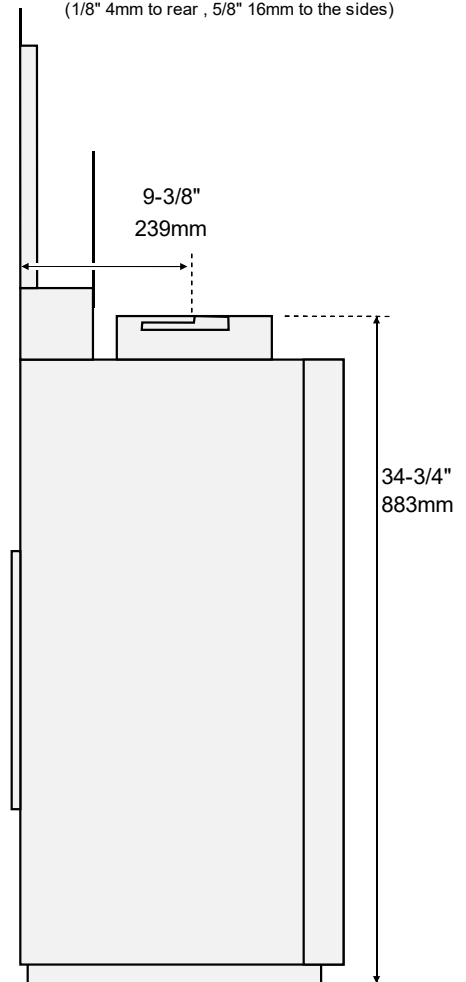
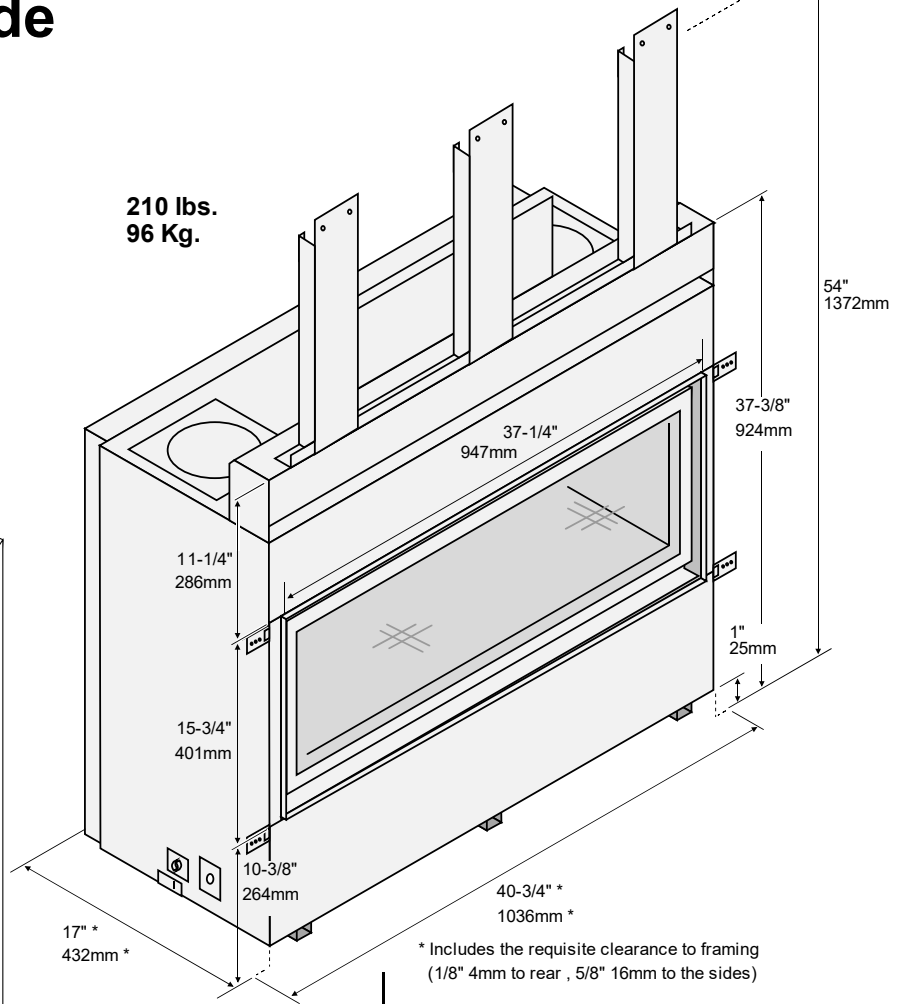
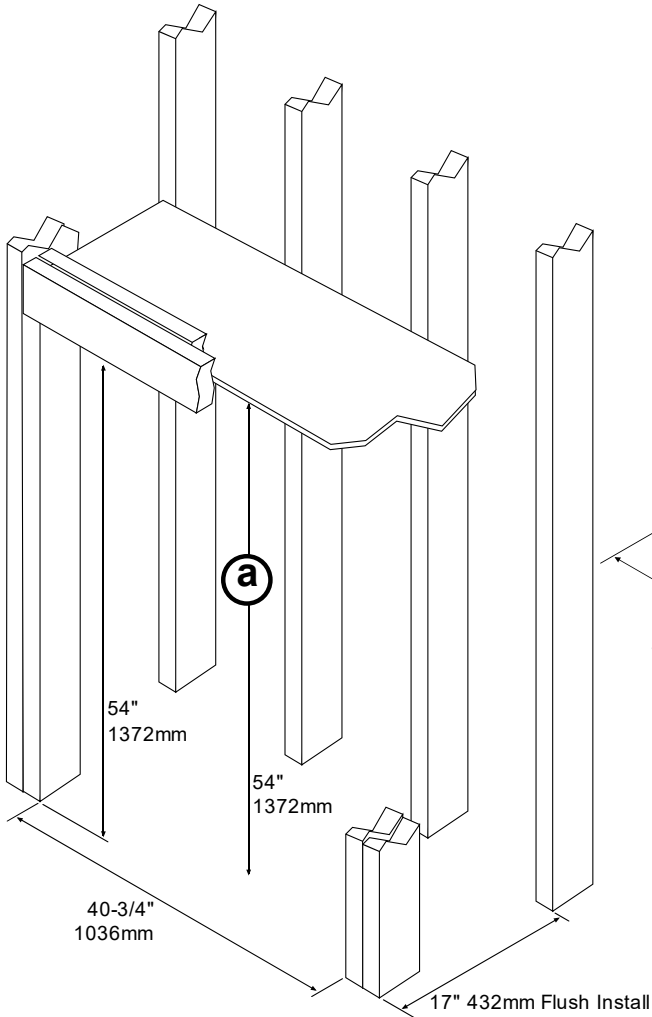


# 3615HO Framing Guide



12521 Harbour Reach Drive  
Mukilteo, WA 98275-5458

210 lbs.  
96 Kg.



**a** The fireplace enclosure must be a minimum 54" 1372mm tall (do not build into the fireplace)

Scan for  
Installation Manual

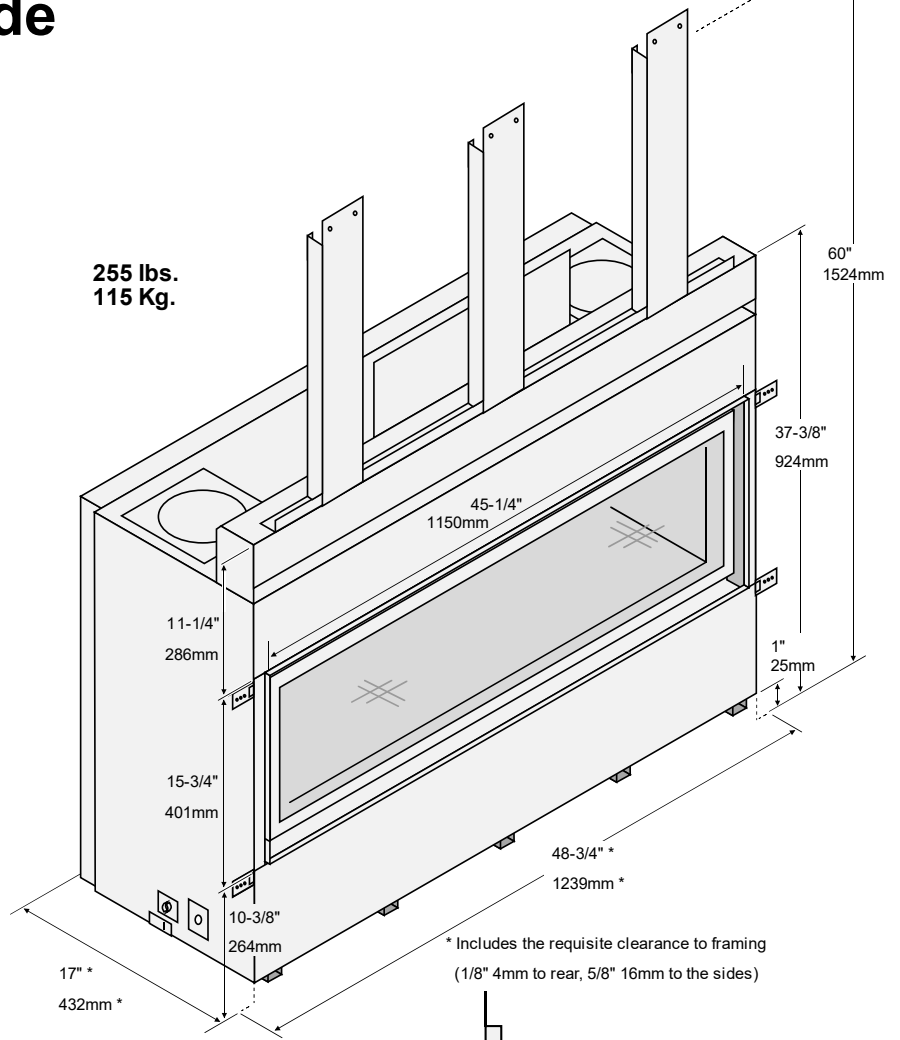
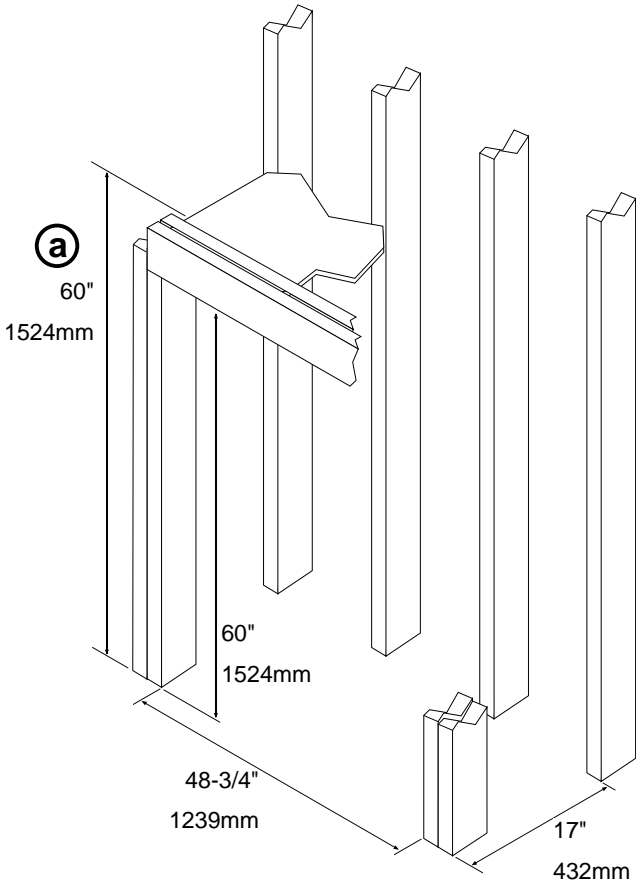
This document is for reference purposes only. Consult the installation manual BEFORE making installation decisions.

# 4415HO Framing Guide

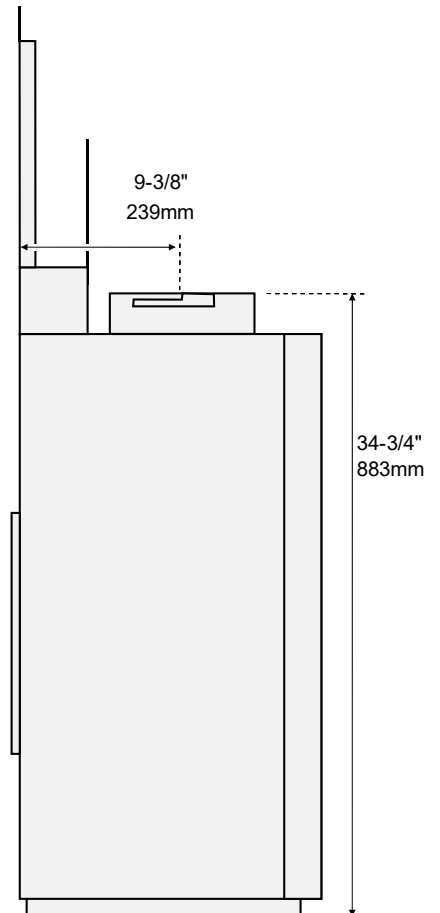


12521 Harbour Reach Drive  
Mukilteo, WA 98275-5458

255 lbs.  
115 Kg.



\* Includes the requisite clearance to framing  
(1/8" 4mm to rear, 5/8" 16mm to the sides)



**(a)** The fireplace enclosure must be a minimum 60" tall (do not build into the fireplace)

Scan for  
Installation Manual



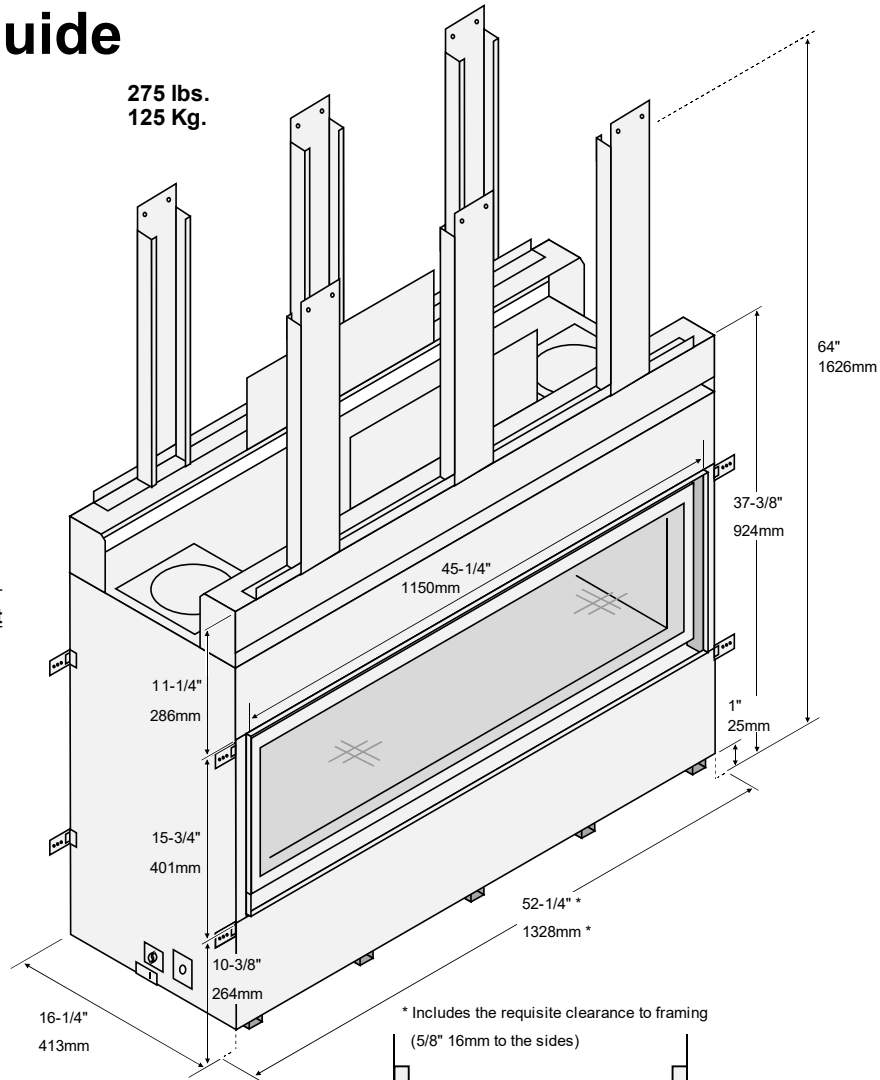
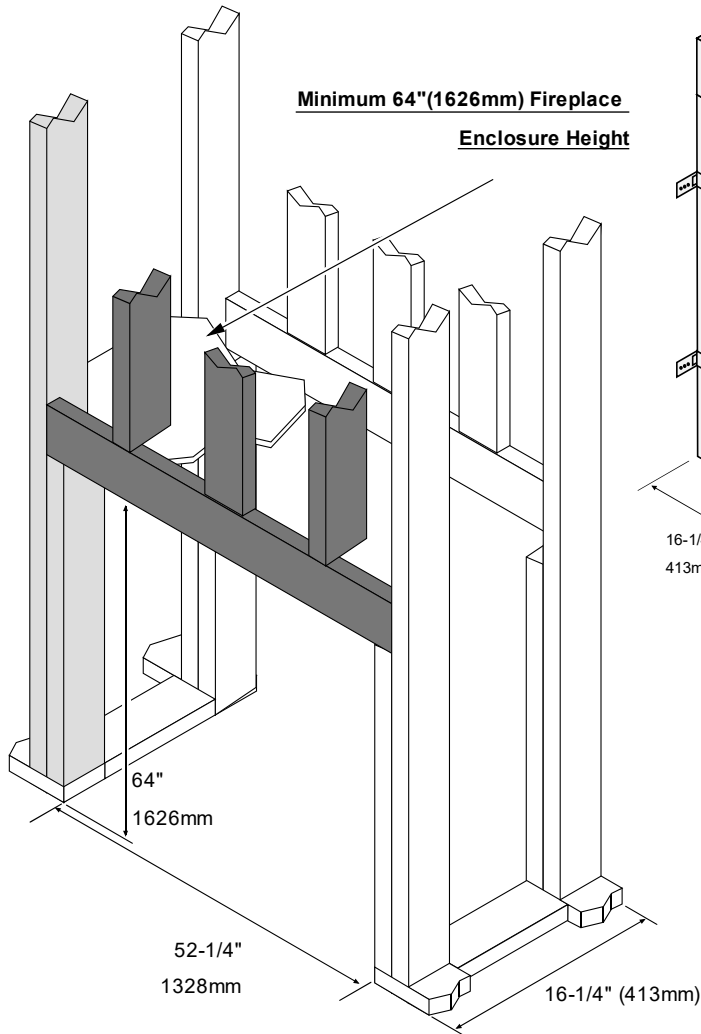
This document is for reference purposes only. Consult the installation manual BEFORE making installation decisions.

# 4415 HO ST Framing Guide

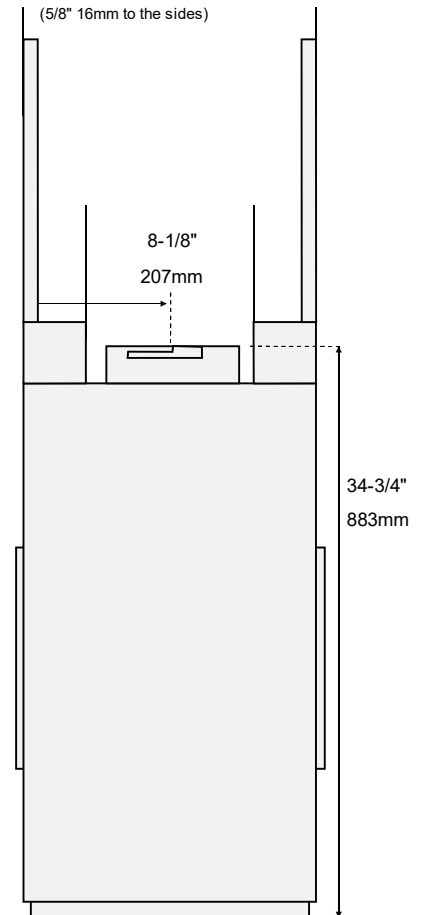


12521 Harbour Reach Drive  
Mukilteo, WA 98275-5458

275 lbs.  
125 Kg.



\* Includes the requisite clearance to framing  
(5/8" 16mm to the sides)



Scan for  
Installation Manual



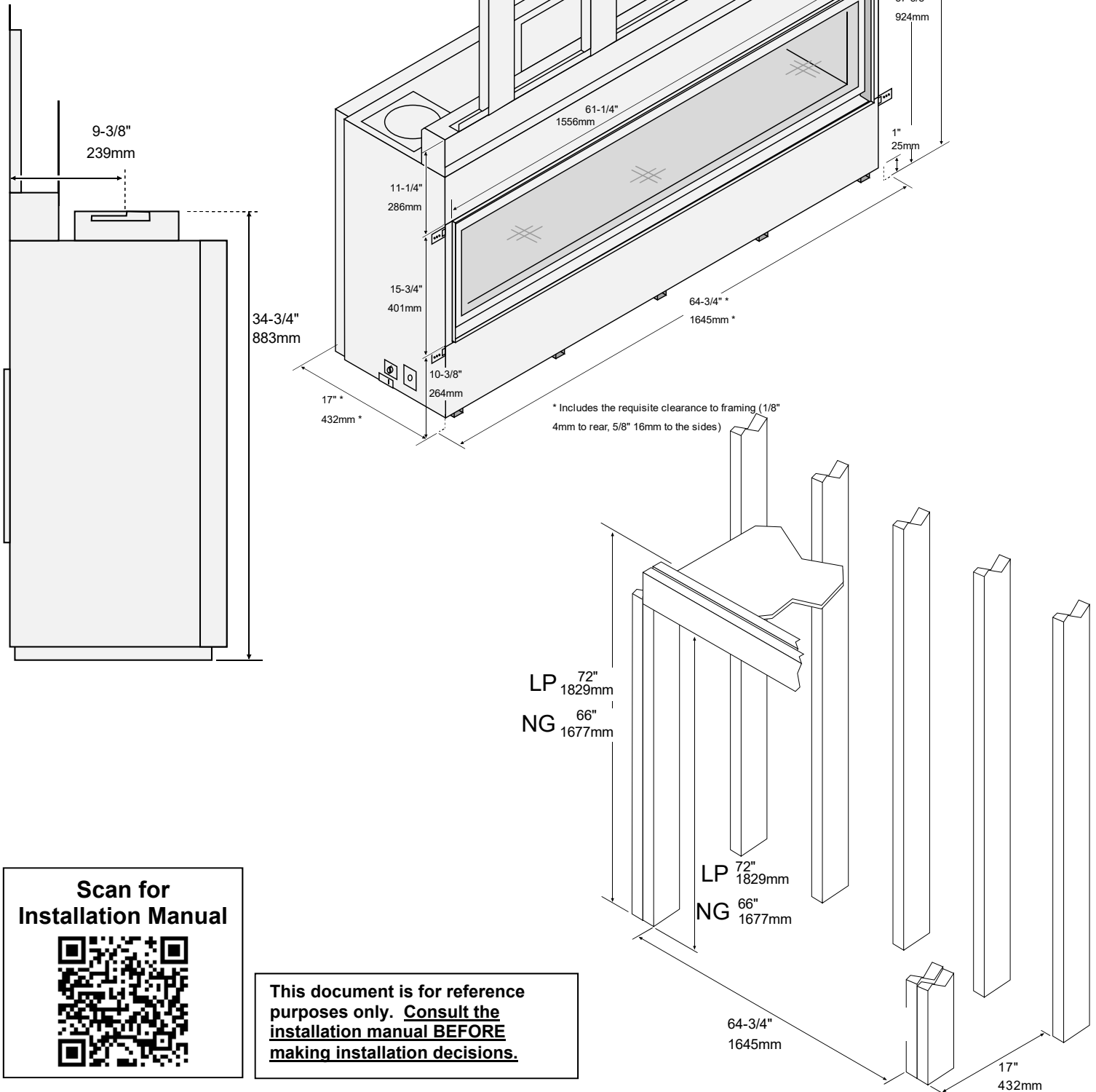
This document is for reference purposes only. **Consult the installation manual BEFORE making installation decisions.**

# 6015 HO Framing Guide



12521 Harbour Reach Drive  
Mukilteo, WA 98275-5458

350 lbs.  
156 Kg.



Scan for  
Installation Manual

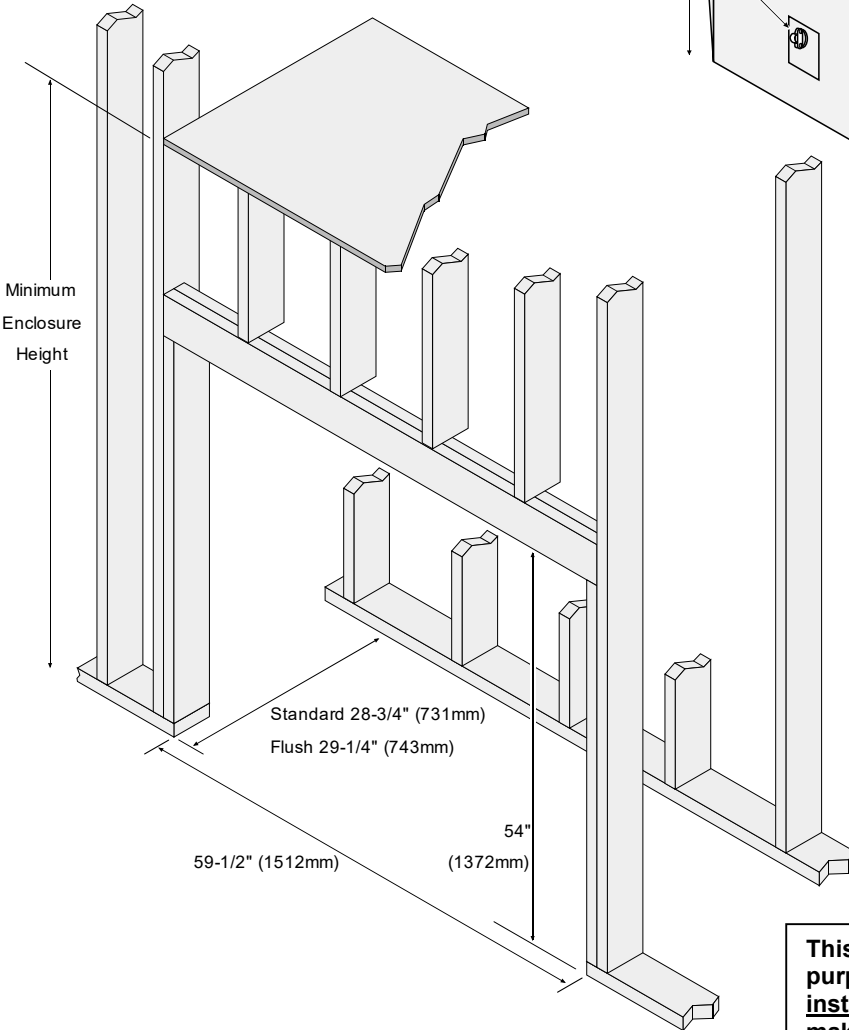
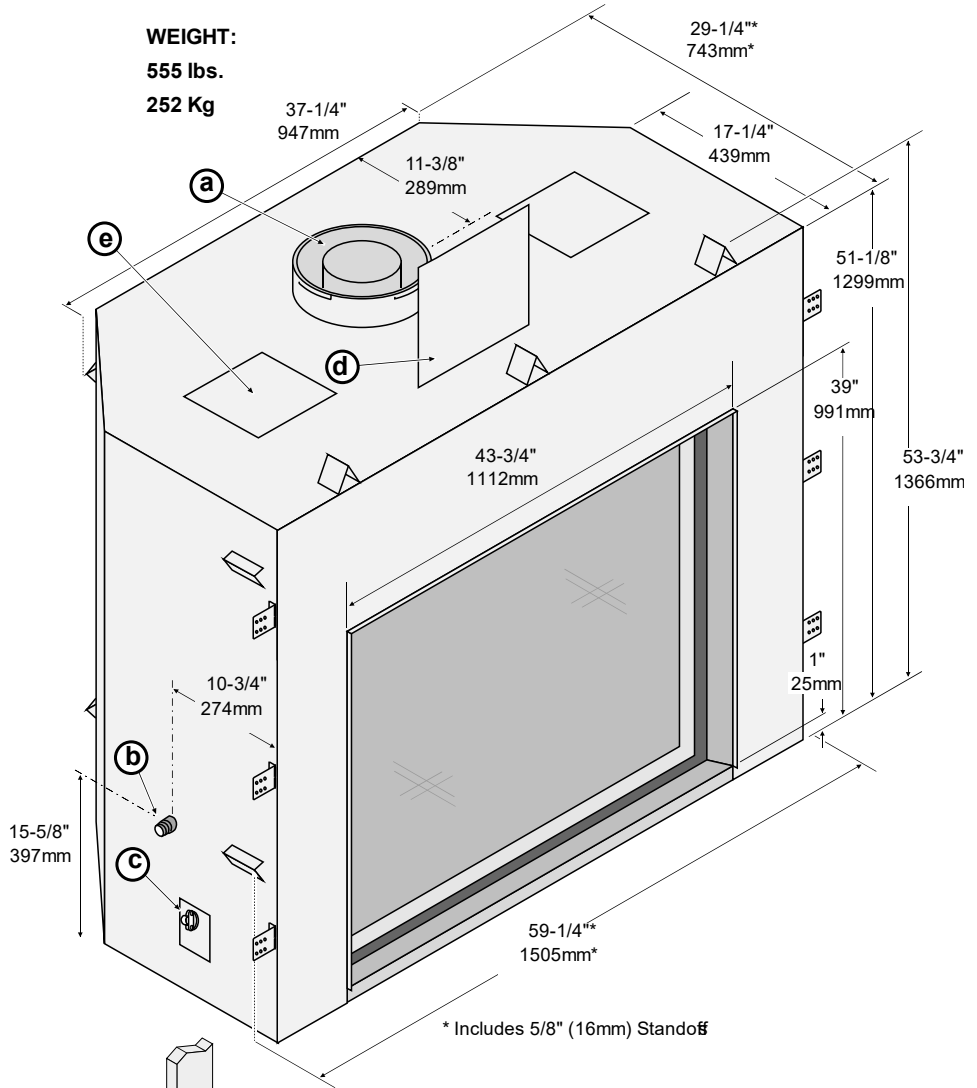
This document is for reference purposes only. **Consult the installation manual BEFORE making installation decisions.**

# 4237 Clean Face Framing Guide



12521 Harbour Reach Drive  
Mukilteo, WA 98275-5458

**WEIGHT:**  
555 lbs.  
252 Kg



**Minimum Enclosure Height – Minimum Vent Configurations or Any System Height Under 10'**

- Minimum enclosure height is 89" (2261mm)

**Minimum Enclosure Height – Vent Configurations with System Height 10' or Higher**

- Minimum enclosure height is 61" (1550mm)
- Vent must pass vertically through the enclosure before an elbow is placed on the vent.

This document is for reference purposes only. Consult the installation manual BEFORE making installation decisions.

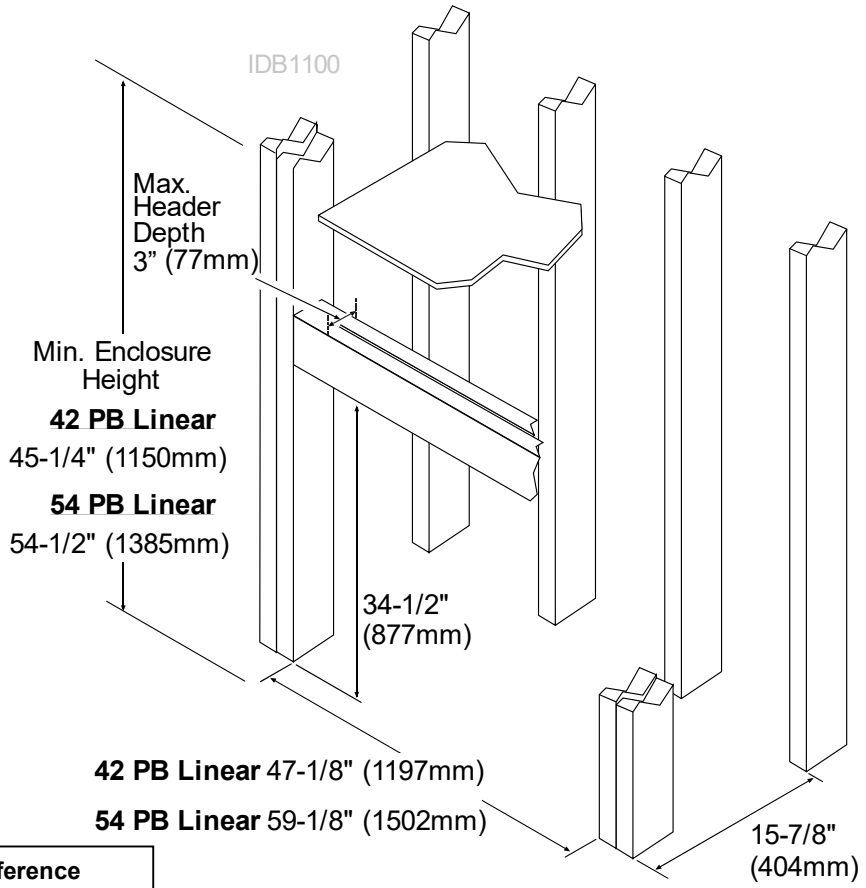
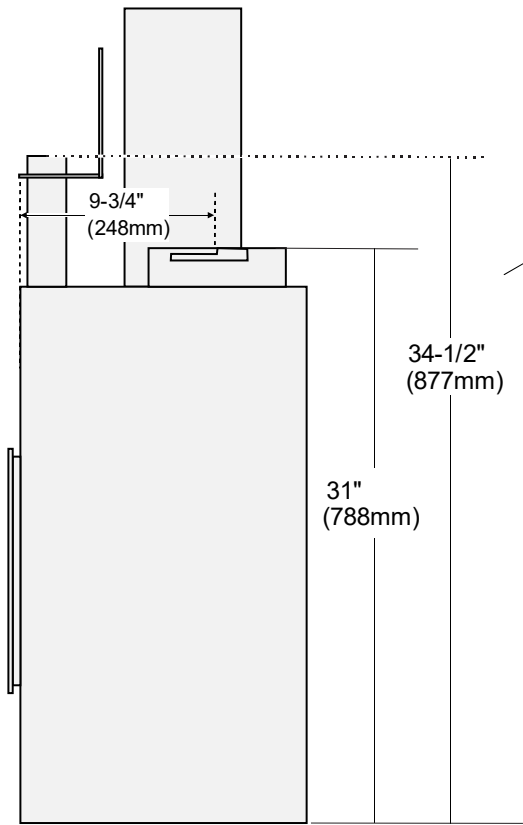
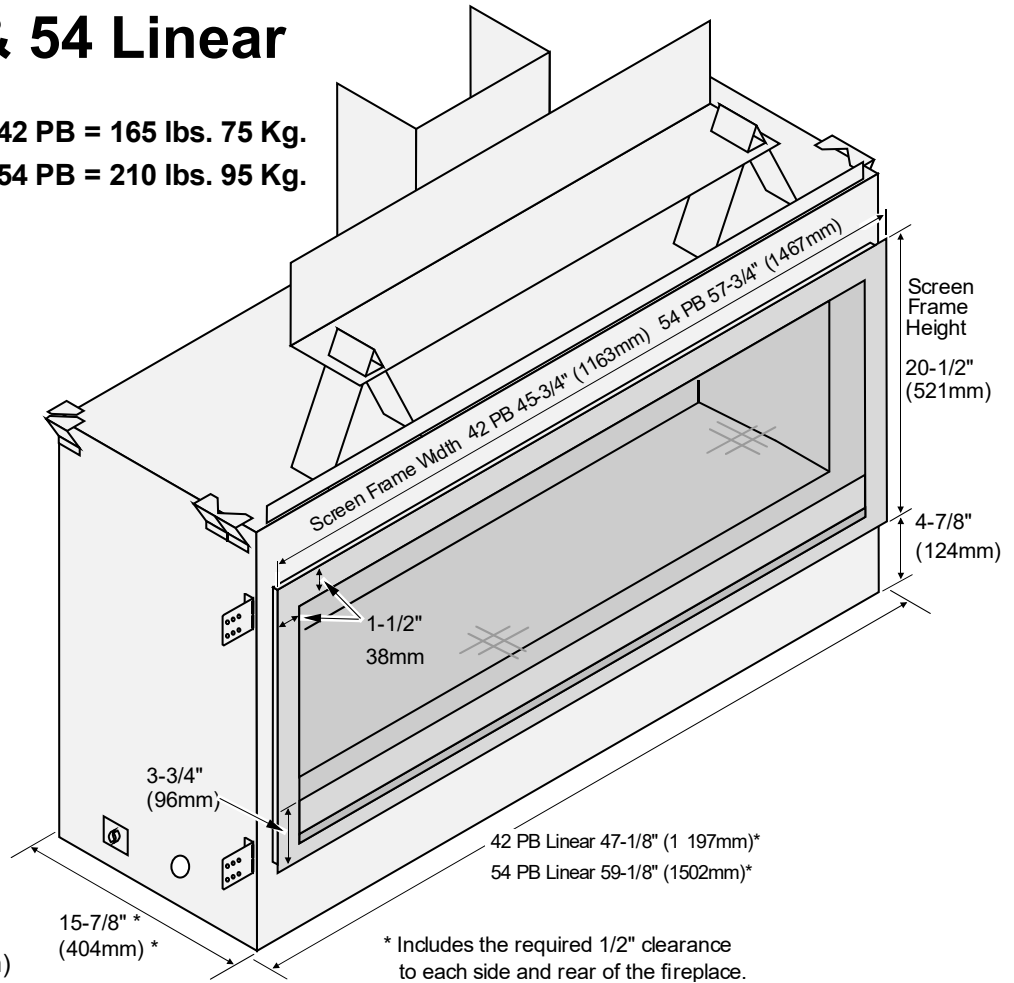
Scan for Installation Manual

# ProBuilder™ 42 & 54 Linear Framing Guide



12521 Harbour Reach Drive  
Mukilteo, WA 98275-5458

42 PB = 165 lbs. 75 Kg.  
54 PB = 210 lbs. 95 Kg.



Scan for Installation Manual

This document is for reference purposes only. Consult the installation manual BEFORE making installation decisions.

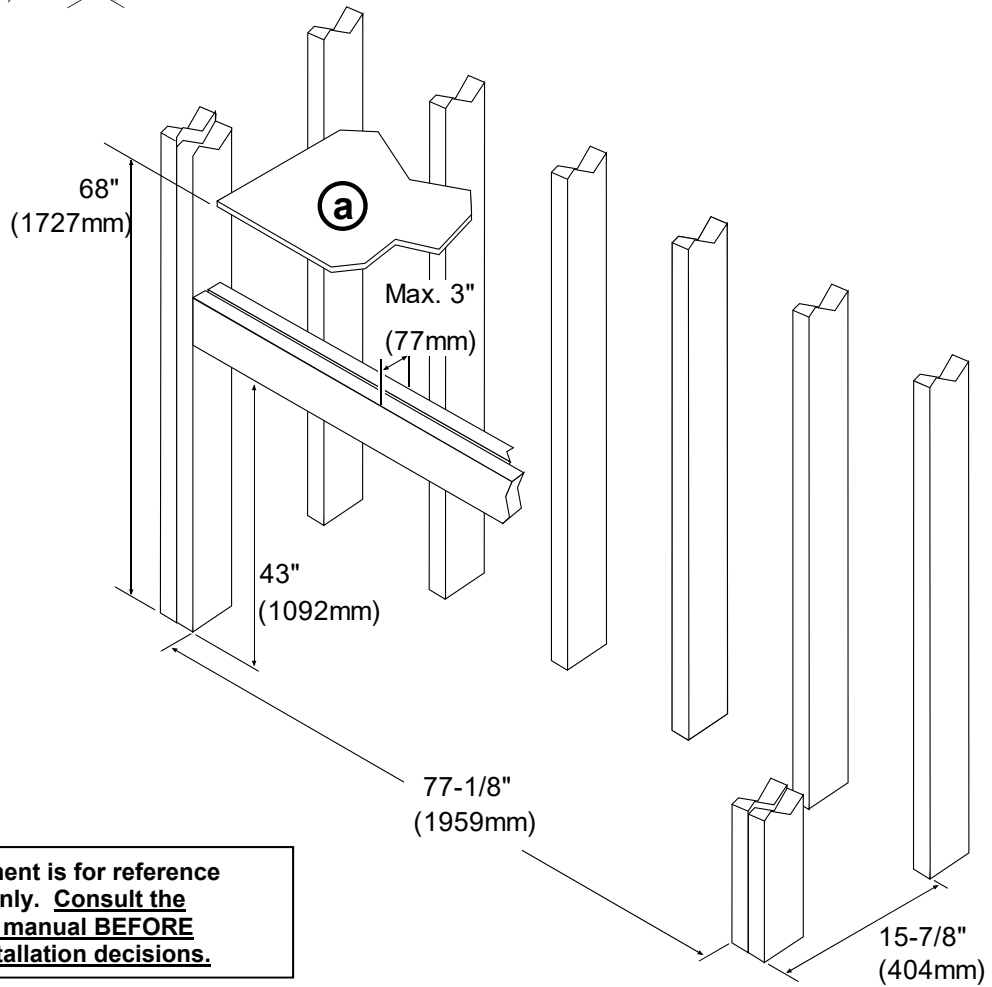
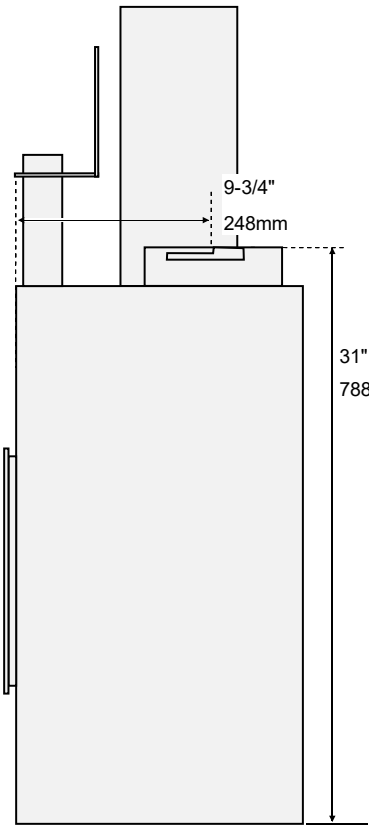
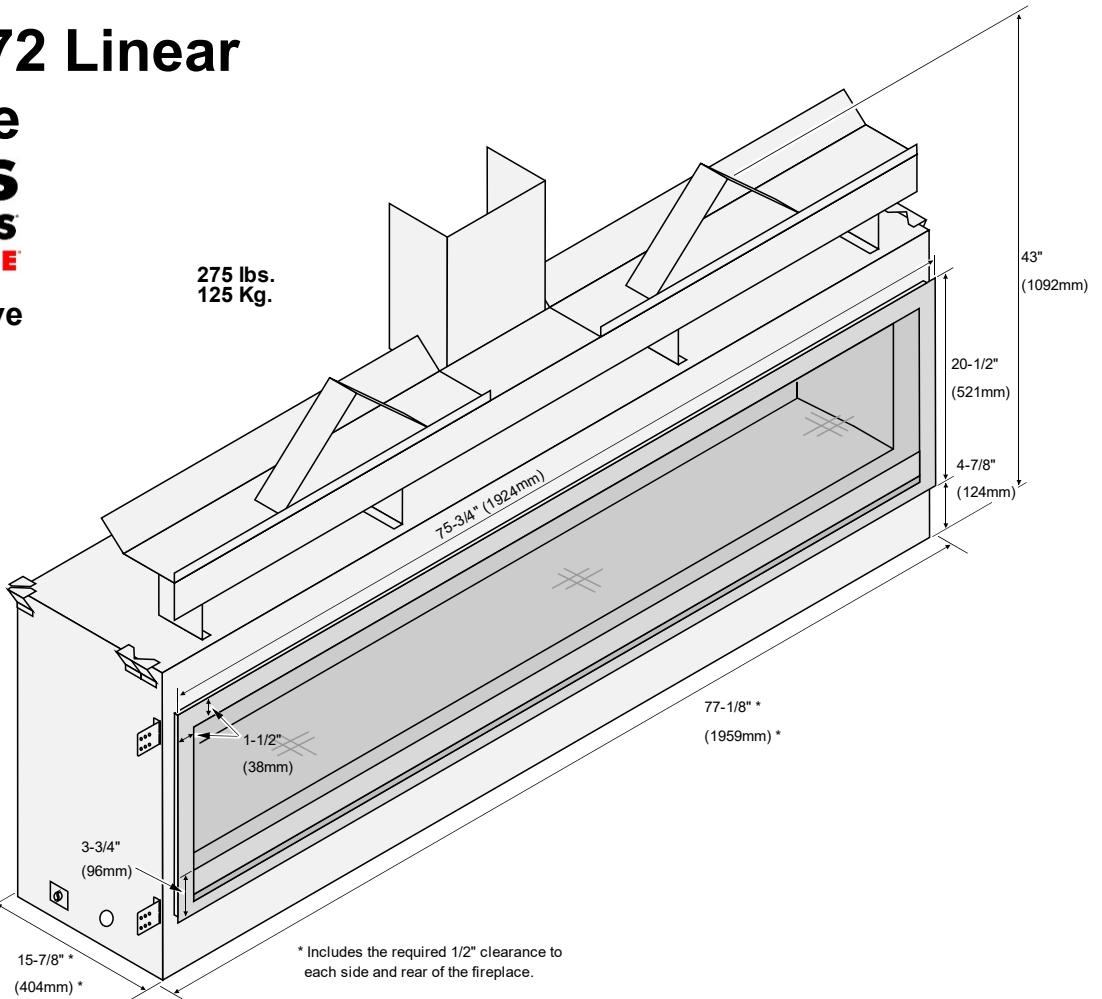


# ProBuilder™ 72 Linear Framing Guide



12521 Harbour Reach Drive  
Mukilteo, WA 98275-5458

275 lbs.  
125 Kg.



Scan for  
Installation Manual

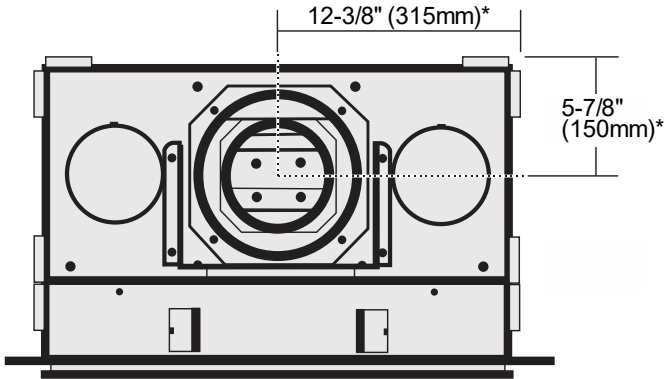
This document is for reference purposes only. **Consult the installation manual BEFORE making installation decisions.**

# ProBuilder™ 24 Clean Face Framing Guide

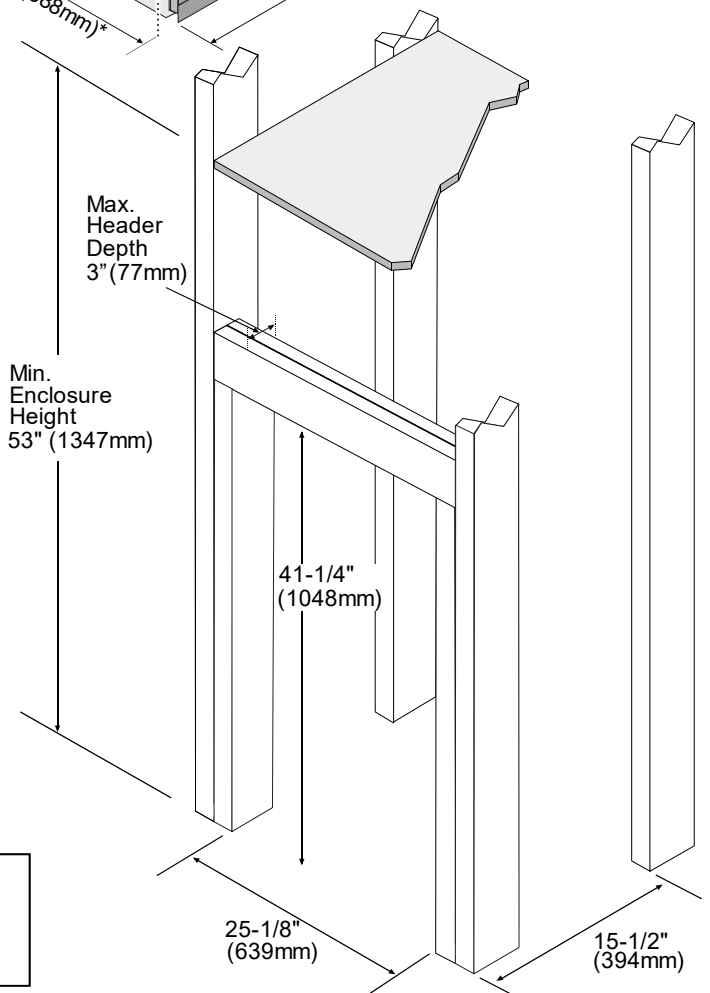
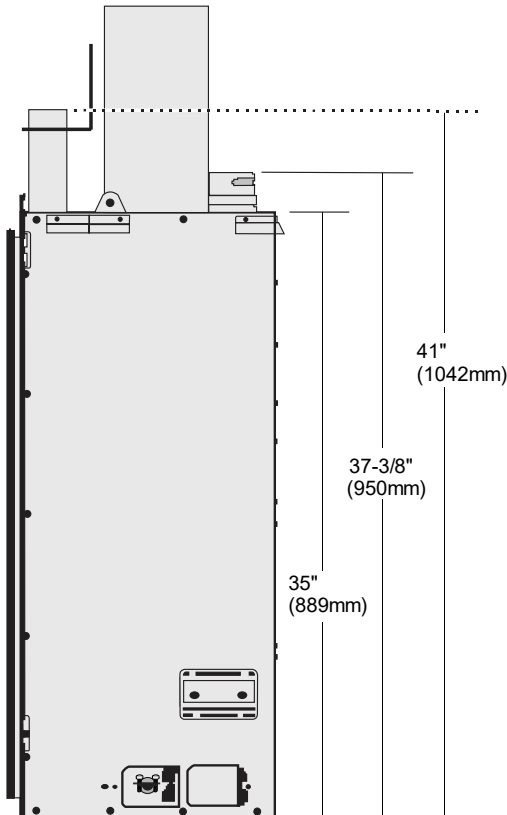
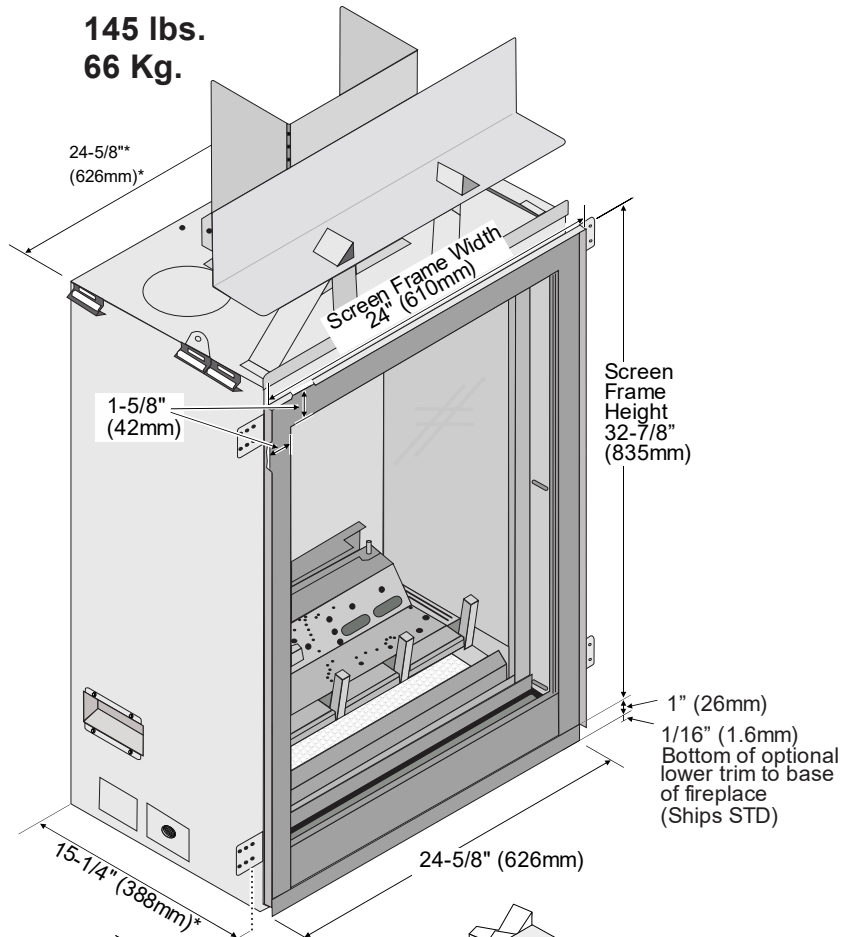


12521 Harbour Reach Drive  
Mukilteo, WA 98275-5458

145 lbs.  
66 Kg.



\*Dimensions Includes the standoffs



Scan for  
Installation Manual

This document is for reference purposes only. Consult the installation manual BEFORE making installation decisions.

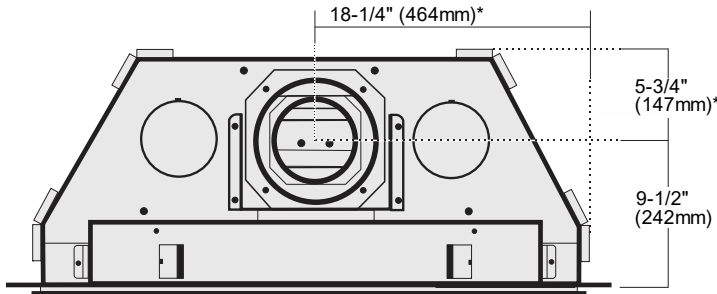
# ProBuilder™ 36 Clean Face

## Framing Guide

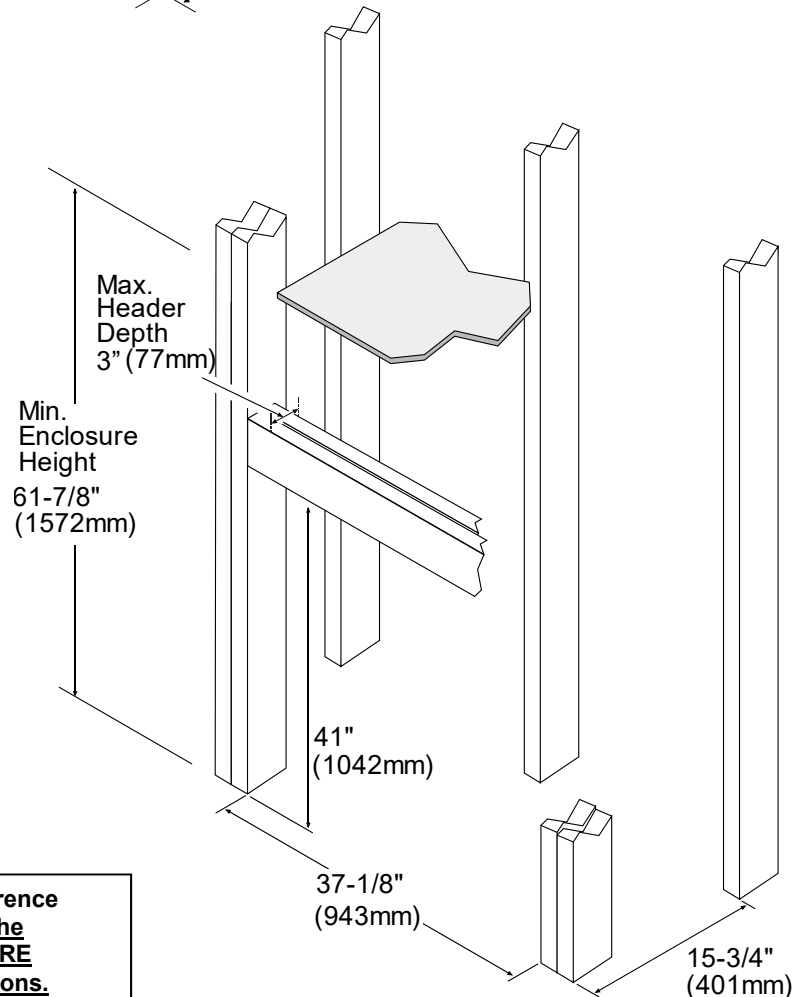
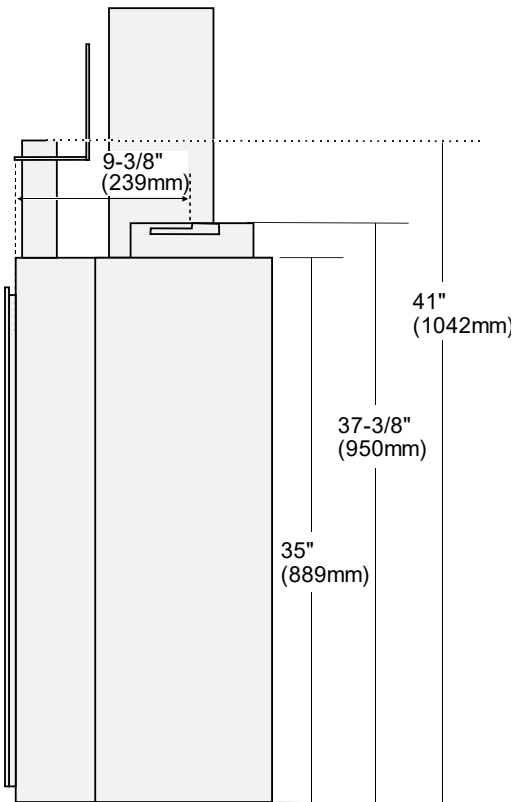
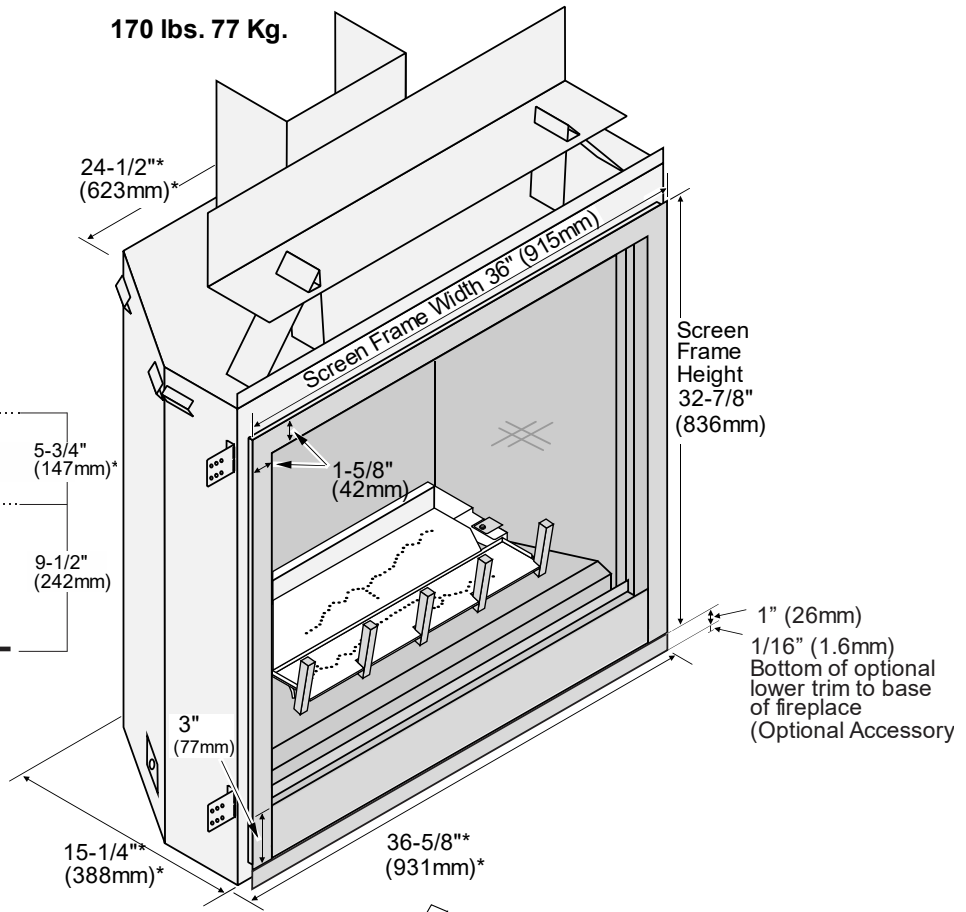
170 lbs. 77 Kg.



12521 Harbour Reach Drive  
Mukilteo, WA 98275-5458



\*Dimensions Includes the standoffs



Scan for  
Installation Manual

This document is for reference purposes only. Consult the installation manual BEFORE making installation decisions.

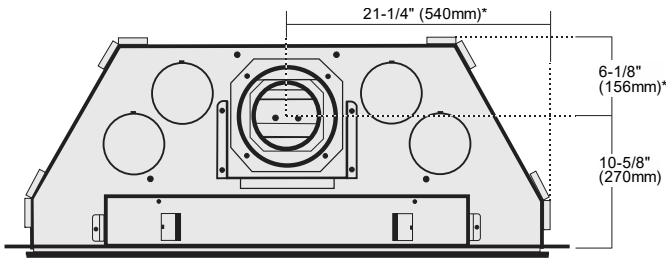
# ProBuilder™ 42 Clean Face

## Framing Guide

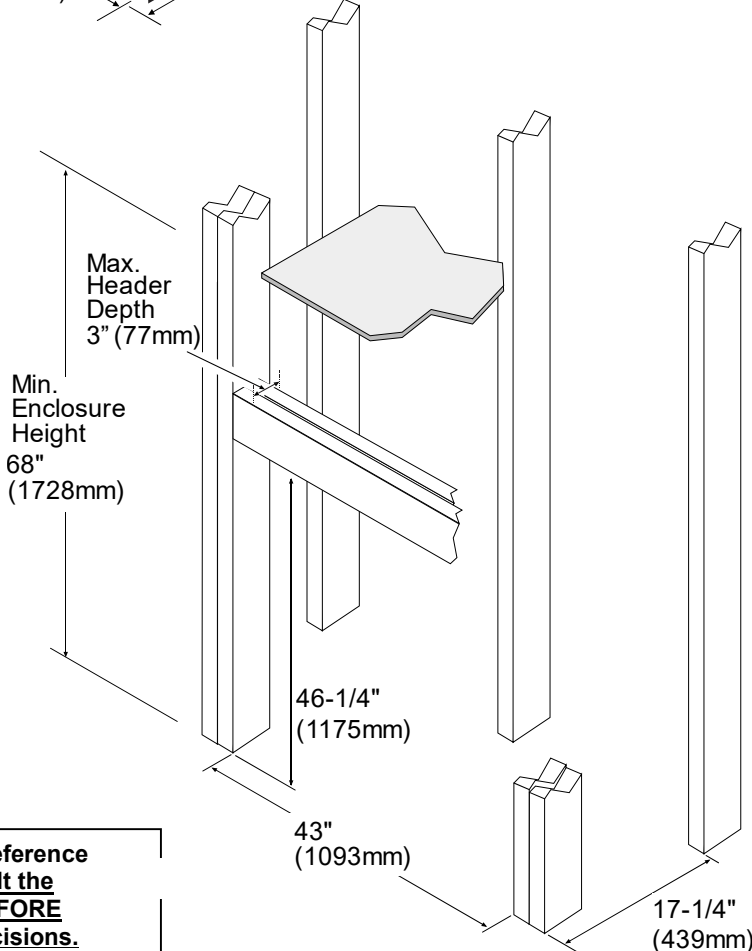
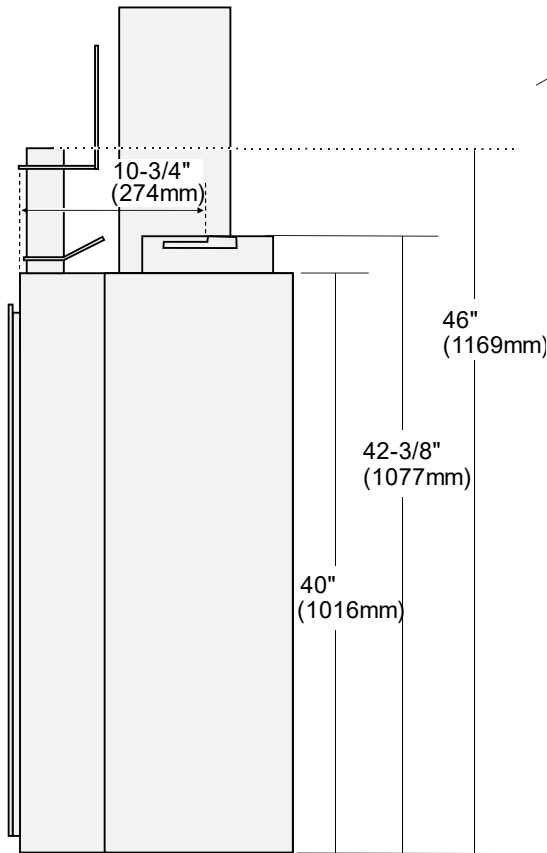
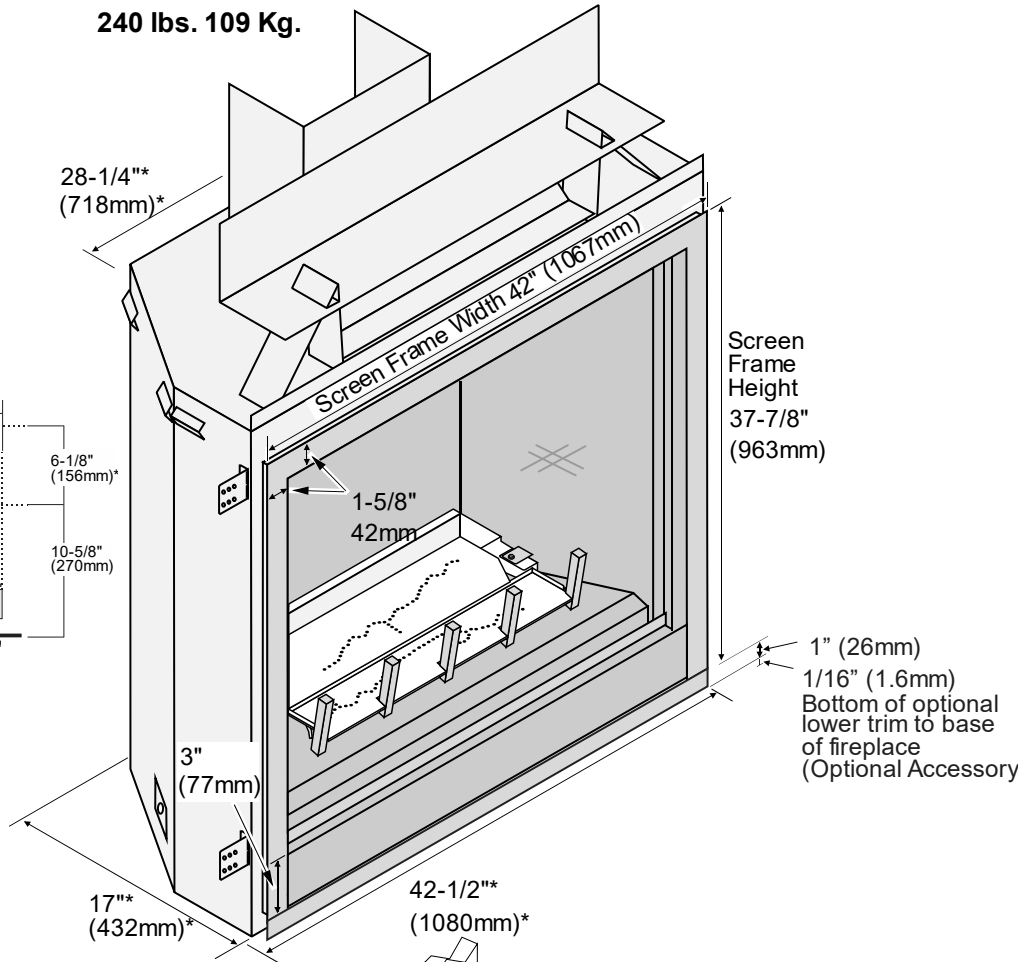
240 lbs. 109 Kg.



12521 Harbour Reach Drive  
Mukilteo, WA 98275-5458



\*Dimensions Includes the standoffs



**Scan for Installation Manual**

This document is for reference purposes only. **Consult the installation manual BEFORE making installation decisions.**