



Evergreen 1 Piece Surround Panel

Installation Instructions

SKUs

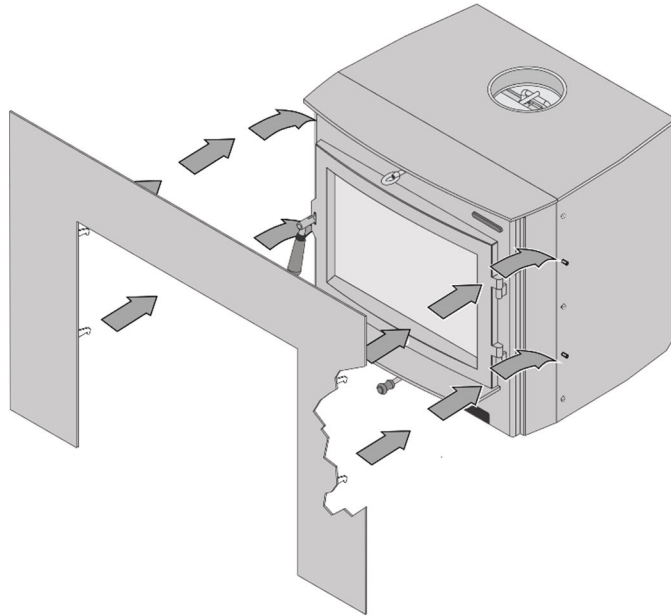
| | Height | Width |
|-----------------------|-----------------|--------------|
| Custom Panel 96100606 | Custom | Custom |
| Small Panel 96100394 | 30-1/2" (775mm) | 42" (1067mm) |
| Large Panel 96100395 | 34" (864mm) | 44" (1118mm) |

Packing List

- Panel

Installation

1. The insert should be in position but pulled out slightly to allow access to the sides and top of the insert.
2. Place the insert into position (flue attached). Attach the surround panel as shown below.



Side View

