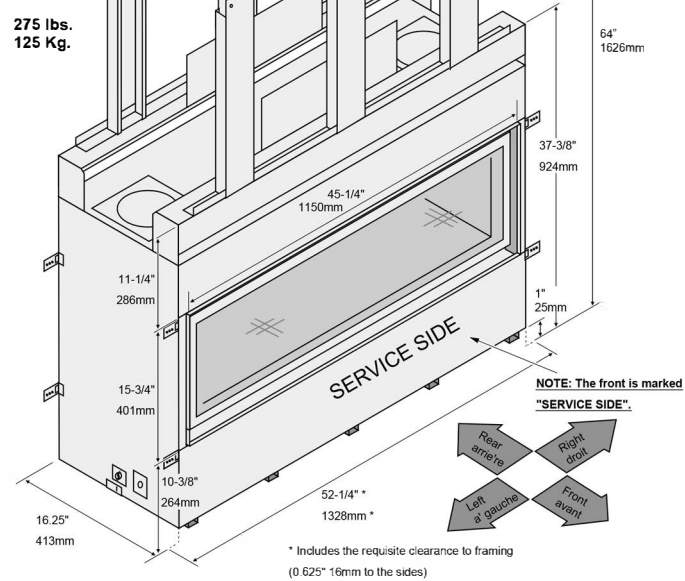
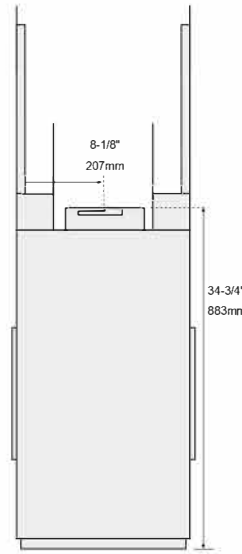


# 4415 HO See-Thru Framing Guide



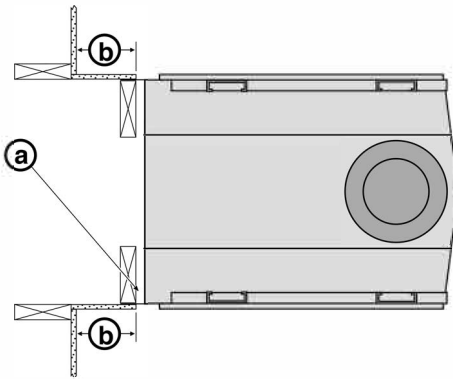
**TRAVIS INDUSTRIES**  
**HOUSE OF FIRE**  
 12521 HARBOUR REACH DRIVE  
 MUKILTEO, WA 98275-5458

18100009



## Clearances

- (a) Clearance to Side of Fireplace 5/8" (16mm). Do not place insulation in this space.
- (b) When installed, walls in front of the fireplace must be a minimum 3" (77mm) to the side of the fireplace.



## Raised Fireplaces

- The fireplace (and hearth, if desired) may be placed on a platform designed to support the fireplace and vent.
- The base of the fireplace must be a minimum 64" (1626mm) below the room ceiling.

**i** The firebox opening is approximately 10-3/8" (264mm) above the base of the fireplace. For a typical raised fireplace of 36" (915mm), place the fireplace on a platform 25-5/8" (651mm) tall.

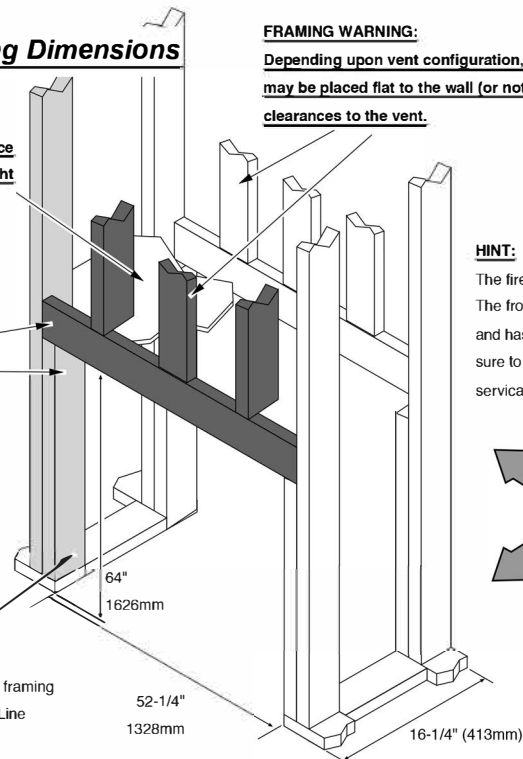
## Minimum Framing Dimensions

Minimum 64" (1626mm) Fireplace Enclosure Height

**HINT:**  
The shaded framing is best installed after placing the fireplace in position.

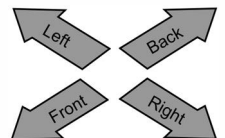
The framing above the fireplace conceals the top of the fireplace during installation (shown in dark gray). If using the side vent configuration, do not install the framing to the left side as well (shown in light gray).

**NOTE ON GAS INLET:**  
 You may need to notch the framing for the gas inlet (see "Gas Line Location" for details).



**FRAMING WARNING:**  
 Depending upon vent configuration, framing above the fireplace may be placed flat to the wall (or notched) to allow proper clearances to the vent.

**HINT:**  
 The fireplace has a front and back side. The front is marked "SERVICE SIDE" and has latches for servicing. Make sure to place the front in the more servicable location.



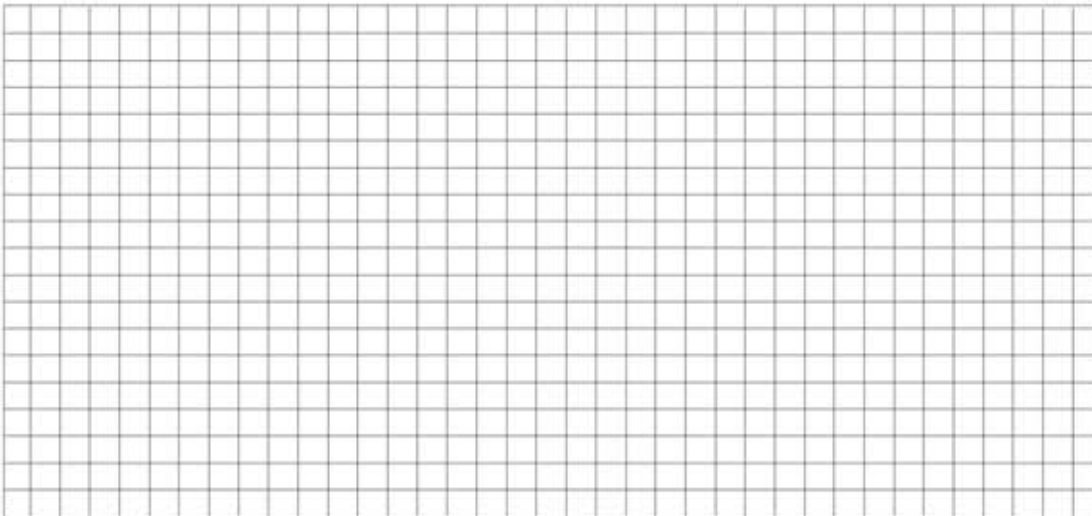
# Gas Fireplace Installation Worksheet

There are many variables to consider in determining what product is the best fit for your home. Print out and fill in the appropriate worksheet and bring it in when you visit your local dealer. This worksheet will help your dealer better understand your installation requirements so that you get the best hearth product based on your home layout and heating requirements.

## About Fireplace

Fireplaces (a.k.a. zero clearance fireplaces) are typically installed during the construction of a new home or as part of a remodel project. As opposed to an insert, the housing (or firebox) of a fireplace is composed of an inner and outer metal shell. The term "zero clearance" refers to the fact that the framing (studs and subfloor) can come directly in contact with the firebox; no clearance is required, allowing lots of installation flexibility.

1. What purpose will the fireplace fill?  
a) Zonal or Supplemental Heating  OR Whole Home Heating
2. What room or rooms (determine square footage) will the fireplace be used to heat? \_\_\_\_\_ sq. ft.
3. Do you have natural gas  or propane  ?
4. Is the fireplace being installed in new construction  or in a remodel  ?
5. Are you replacing an existing fireplace with a new fireplace YES  NO  ?
6. On the grid below please sketch-out your house floor plan and approximately where your fireplace will be installed.



7. Is the house a single story , two story  or three story  home?
8. How high is the ceiling in which the fireplace is to be installed? \_\_\_\_\_ ft.
8. Is the fireplace going into a basement ? YES  NO
9. For remodels or fireplace replacements, it would be helpful if you could bring in photos of the room the fireplace will be installed in and a picture of your existing roof line.