

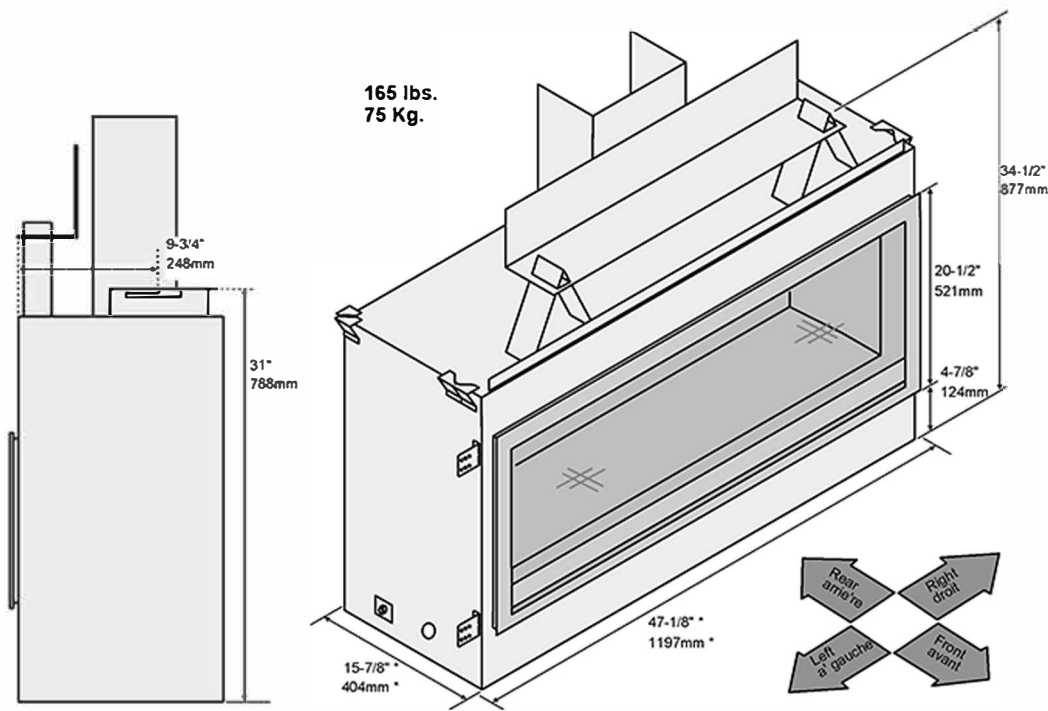
# ProBuilder 42 Framing Guide



**TRAVIS INDUSTRIES**  
**HOUSE OF FIRE**

12521 HARBOUR REACH DRIVE  
MUKILTEO, WA 98275-5458

18100012

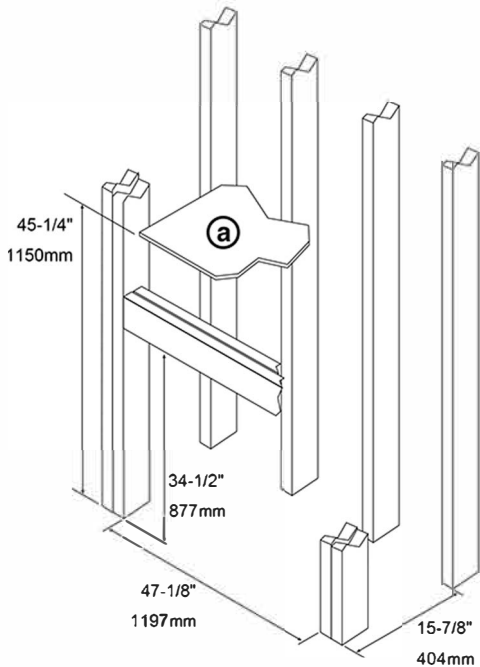


\* Includes the required 1/2" clearance to each side and rear of the fireplace.

## Installation

Always refer to the Installation Manual for complete installation information.

### Minimum Framing Dimensions



**a** The fireplace enclosure must be a minimum 45-1/4" (1150mm) tall. Do not build into the fireplace enclosure.

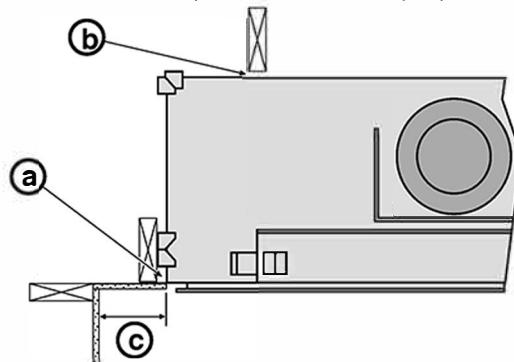
### Corner Installations

A typical 45° installation uses the framing dimensions shown in the illustration below (NOTE: all clearances still apply).

(a) Corner to Wall (minimum)	53-1/2" 1359mm
(b) Corner to Center of Flue (typical)	20-3/4" 528mm

### Clearances

- (a) Clearance to Side of Fireplace 1/2" (13mm). Do not place insulation in this space. NOTE: Drywall (or other combustible) may contact the first 1/2" of the sides of the fireplace.
- (b) Clearance to Back of Fireplace 1/2" (13mm). Do not place insulation in this space.
- (c) When installed, walls in front of the fireplace must be a minimum 0" (0mm) to the side of the fireplace.

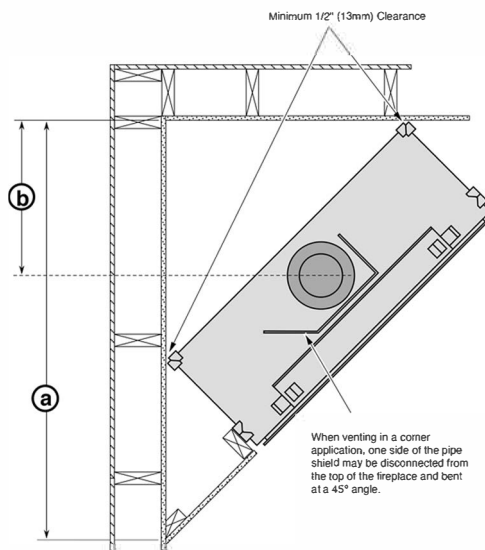


### Raised Fireplaces

- The fireplace (and hearth, if desired) may be placed on a platform designed to support the fireplace and vent.
- The base of the fireplace must be a minimum 60" below the room ceiling.



The top of the control door (firebox opening) is approximately 8-3/4" (223mm) above the base of the fireplace. For a typical raised fireplace of 36" (915mm), place the fireplace on a platform 27.25" (693mm) tall.



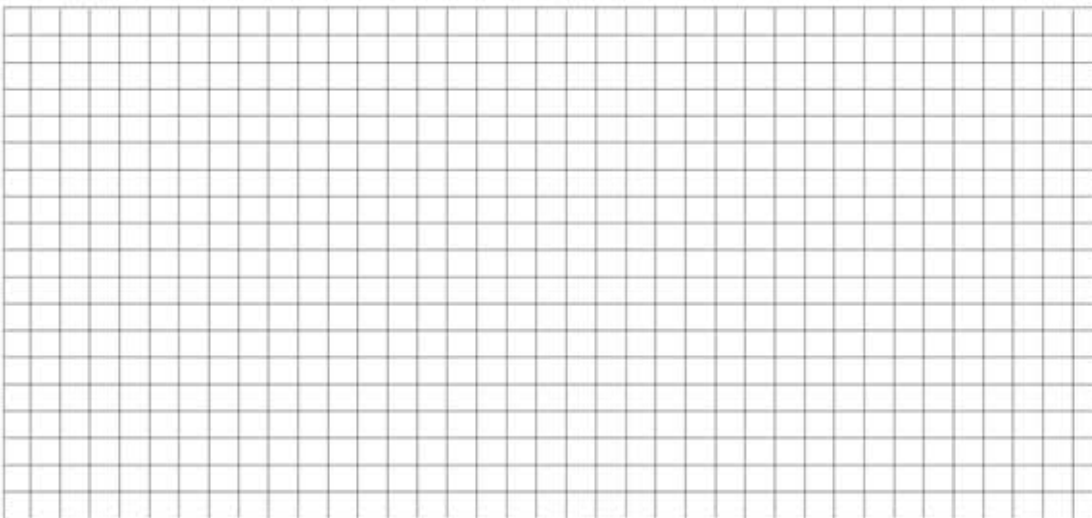
# Gas Fireplace Installation Worksheet

There are many variables to consider in determining what product is the best fit for your home. Print out and fill in the appropriate worksheet and bring it in when you visit your local dealer. This worksheet will help your dealer better understand your installation requirements so that you get the best hearth product based on your home layout and heating requirements.

## About Fireplace

Fireplaces (a.k.a. zero clearance fireplaces) are typically installed during the construction of a new home or as part of a remodel project. As opposed to an insert, the housing (or firebox) of a fireplace is composed of an inner and outer metal shell. The term "zero clearance" refers to the fact that the framing (studs and subfloor) can come directly in contact with the firebox; no clearance is required, allowing lots of installation flexibility.

1. What purpose will the fireplace fill?  
a) Zonal or Supplemental Heating  OR Whole Home Heating
2. What room or rooms (determine square footage) will the fireplace be used to heat? \_\_\_\_\_ sq. ft.
3. Do you have natural gas  or propane  ?
4. Is the fireplace being installed in new construction  or in a remodel  ?
5. Are you replacing an existing fireplace with a new fireplace YES  NO  ?
6. On the grid below please sketch-out your house floor plan and approximately where your fireplace will be installed.



7. Is the house a single story , two story  or three story  home?
8. How high is the ceiling in which the fireplace is to be installed? \_\_\_\_\_ ft.
8. Is the fireplace going into a basement ? YES  NO
9. For remodels or fireplace replacements, it would be helpful if you could bring in photos of the room the fireplace will be installed in and a picture of your existing roof line.