

ProBuilder 42 Clean Face Framing Guide

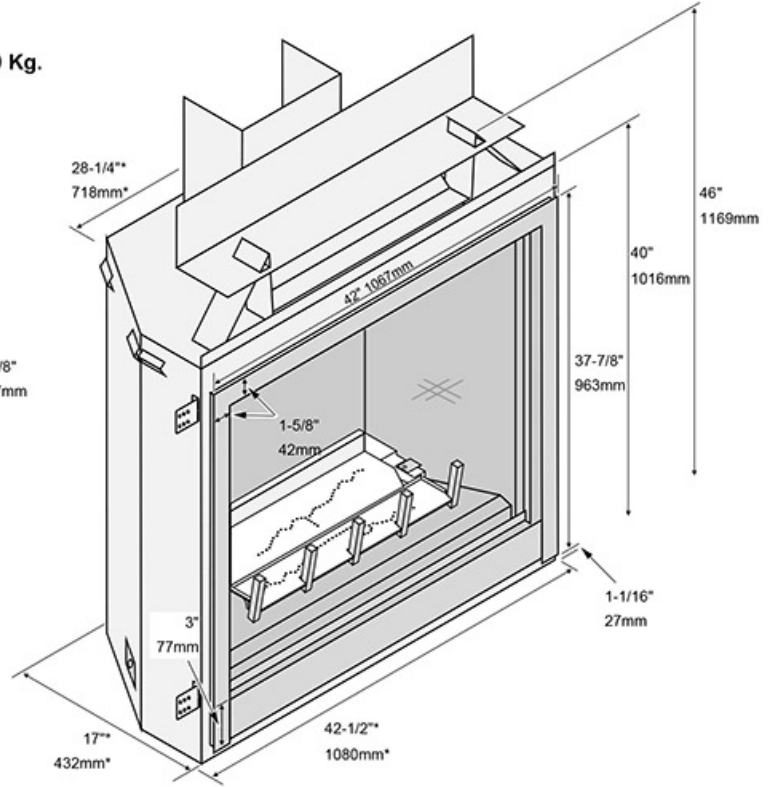
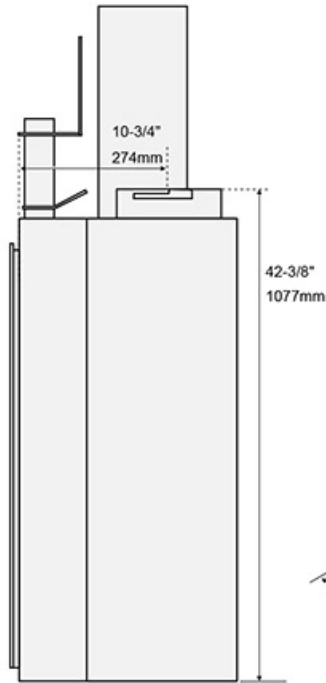
Dimensions



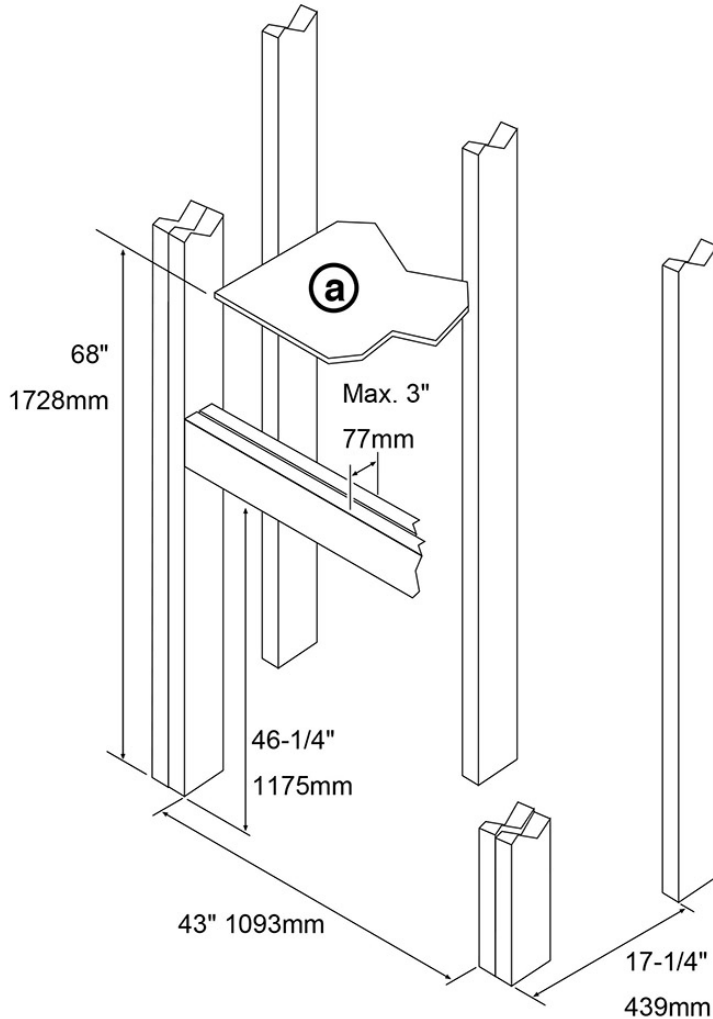
TRAVIS INDUSTRIES
HOUSE OF FIRE
1 2521 HARBOUR REACH DRIVE
MUKILTEO, WA 98275-5458

18100021

240 lbs. 109 Kg.



* Includes the required 1/2" clearance to each side and rear of the fireplace.

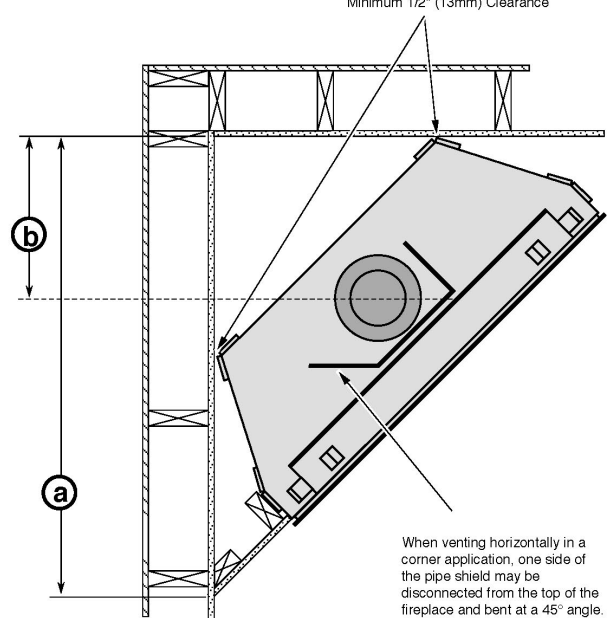


Corner Installations

A typical 45° installation uses the framing dimensions shown in the illustration below (NOTE: all clearances still apply).

42 CF PB	
(a) Corner to Wall (minimum)	43-1/2" (1105mm)
(b) Corner to Center of Flue (typical)	14-1/2" (369mm)

Minimum 1/2" (13mm) Clearance



(a) The fireplace enclosure must be a minimum 68" (1728mm) tall. Do not build into the fireplace enclosure.