

RADIANT PLUS™ GAS FIREPLACE INSERTS







RADIANT PLUS™ GAS FIREPLACE INSERTS

TURN YOUR FIREPLACE INTO A RELIABLE HEAT SOURCE

The Radiant Plus™ Gas Inserts are engineered to install into your existing fireplace and designed to provide comforting RADIANT heat PLUS Natural Convection, delivering optimum warmth throughout your home.

RADIANT heat is the cozy, satisfying warmth you can actually feel from any source of heat, such as sitting in front of a campfire or soaking up the rays of the sun. NATURAL CONVECTION occurs as room air in the convection chamber is heated. This heated air rises, drawing cooler room air into the chamber, which in turn heats up and circulates around the firebox continuously.

REASONABLY PRICED

With the Radiant Plus™, you get MORE HEAT FOR LESS MONEY; that's more features and benefits than any other value-priced gas insert available, making it both a beautiful and economical way to heat your home!



Radiant Plus™ gas inserts are available in three sizes: Small, Medium, and Large.
(All shown with Times Square™ Face)



Radiant Plus™ Small is installed in a metal (ZC) Fireplace and is shown with the Time Square™ Face and a four-sided surround panel which covers the original fireplace opening.

RADIANT PLUS™ SMALL INSERT

950 Square Foot Heater

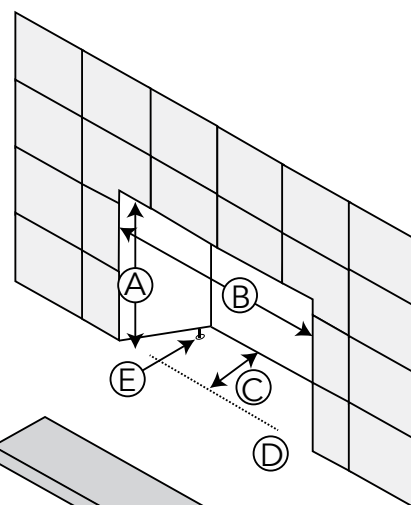
The Radiant Plus™ Small is a compact sized unit that fits where most inserts can't, making it the perfect choice for those small metal (zero clearance) and masonry fireplaces. This insert is also a great choice for providing warmth to apartments or smaller areas of your home. Despite its compact firebox size, this insert still features a beautiful viewing area and fire display.

SPECIFICATIONS*

Heating Capacity**:	Up to 950 Square Feet
Maximum BTU/HR Input:	19,000 (NG/LP)
Minimum BTU/HR Input:	10,000 (NG/LP)
Steady State Efficiency (High):	MV Model Up to: 87.59% (NG), 89.72% (LP) GSB Model Up to: 87.57% (NG), 89.63% (LP)
P4 Canadian Efficiency:	MV Model Up to: 73.85% (NG), 75.60% (LP) GSB Model Up to: 75.15% (NG), 76.71% (LP)
AFUE Efficiency:	MV Model Up to: 79.5% (NG), 81.0% (LP) GSB Model Up to: 79.4% (NG), 80.7% (LP)
Glass Area:	21-1/4" W x 10-1/4" H (217 Sq. In.)

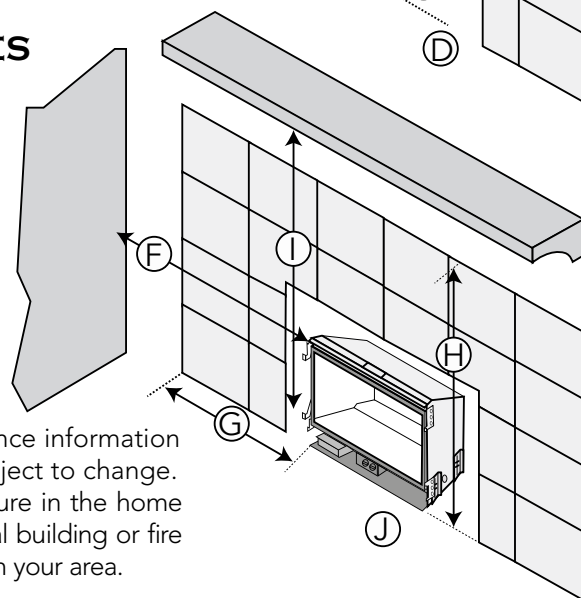
MINIMUM FIREPLACE REQUIREMENTS*

	My Fireplace Dimensions
A - Height (Front)	17-1/2" (445mm) _____
B - Width (Front)	24" (610mm) _____
Width (Back)	15-1/2" (394mm) _____
C - Depth	13-3/8" (340mm) _____
D - Hearth	Not Required _____
E - The gas line should be installed prior to installing the heater.	



CLEARANCES TO COMBUSTIBLES & HEARTH PROTECTION*

F - Sidewall to Insert	5" (127mm)
G - Side Facing to Insert	5" (127mm)
H - Top Facing to Insert	33" (838mm)
I - Mantel, 5"-12" Depth	34" (864mm)
Mantel, 1" - 4" Depth	33" (838mm)
J - Hearth Extension	Not Required



*All specifications, fireplace requirements and clearance information for the Radiant Plus™ Small are preliminary and subject to change.

**Heating Capacity can be affected by negative pressure in the home and by prevailing atmospheric conditions. Contact local building or fire officials about restrictions and installation requirements in your area.



Radiant Plus™ Medium is shown with the Designer™ Face, optional Brick Fireback and a three-sided one-piece surround panel

RADIANT PLUS™ MEDIUM INSERT

1,250 Square Foot Heater

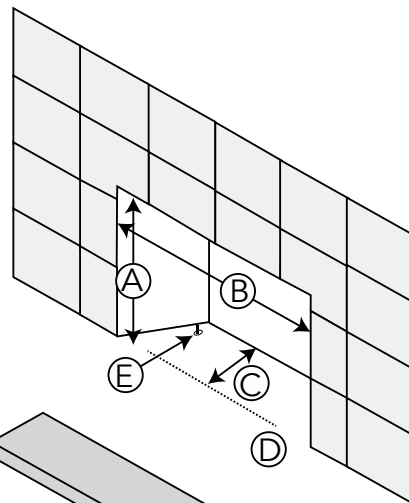
The Radiant Plus™ Medium is great for heating mid-sized homes. This insert is the perfect medium size to install in most metal (zero clearance) and masonry fireplaces. It features a large, beautiful fire viewing area and provides excellent radiant and natural convection heat.

SPECIFICATIONS

Heating Capacity*:	Up to 1,250 Square Feet
Maximum BTU/HR Input:	25,000 (NG/LP)
Minimum BTU/HR Input:	13,000 (NG/LP)
Steady State Efficiency (High):	MV Model Up to: 86.98% (NG), 89.03% (LP) GSB Model Up to: 86.98% (NG), 89.03% (LP)
P4 Canadian Efficiency:	MV Model Up to: 74.15% (NG), 75.07% (LP) GSB Model Up to: 75.11% (NG), 76.05% (LP)
AFUE Efficiency:	MV Model Up to: 80.3% (NG), 79.5% (LP) GSB Model Up to: 80.3% (NG), 79.5% (LP)
Glass Area:	24-1/4" W x 12-3/4" H (309 Sq. In.)

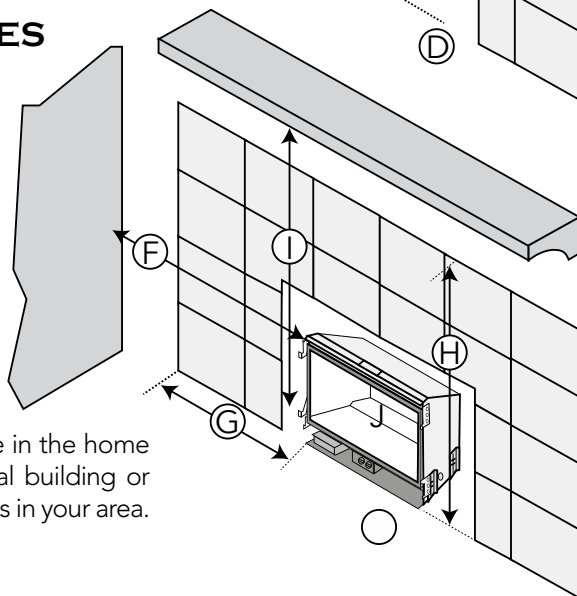
MINIMUM FIREPLACE REQUIREMENTS

	My Fireplace Dimensions
A - Height (Front)	19-3/4" (502mm) _____
B - Width (Front)	27" (686mm) _____
Width (Back)	17-1/4" (438mm) _____
C - Depth	15" (381mm) _____
D - Hearth	Not Required _____
E - The gas line should be installed prior to installing the heater.	



CLEARANCES TO COMBUSTIBLES & HEARTH PROTECTION

F - Sidewall to Insert	5" (127mm)
G - Side Facing to Insert	5" (127mm)
H - Top Facing to Insert	33" (838mm)
I - Mantel, 5"- 12" Depth	34" (864mm)
Mantel, 0"- 4" Depth	33" (838mm)
J - Hearth Extension	Not Required



*Heating Capacity can be affected by negative pressure in the home and by prevailing atmospheric conditions. Contact local building or fire officials about restrictions and installation requirements in your area.

RADIANT PLUS™ LARGE INSERT

1,650 Square Foot Heater

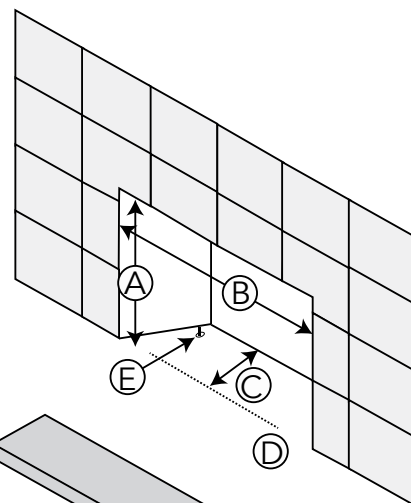
The Radiant Plus™ Large is an excellent choice for heating larger living spaces. This is our most powerful Radiant Plus™ Insert. This model showcases a huge viewing area, the highest heat output, and a realistic, wood burning fire display. The Radiant Plus™ Large insert is a serious heater and makes a beautiful focal point in any room.

SPECIFICATIONS

Heating Capacity*:	Up to 1,650 Square Feet
Maximum BTU/HR Input:	33,000 (NG) 31,000 (LP)
Minimum BTU/HR Input:	17,000 (NG) 15,500 (LP)
Steady State Efficiency (High):	MV Model Up to: 87.81% (NG), 87.94% (LP) GSB Model Up to: 87.81% (NG), 89.94% (LP)
P4 Canadian Efficiency:	MV Model Up to: 74.43% (NG), 75.47% (LP) GSB Model Up to: 75.17% (NG), 76.26% (LP)
AFUE Efficiency:	MV Model Up to: 79.4% (NG), 81.1% (LP) GSB Model Up to: 79.4% (NG), 81.1% (LP)
Glass Area:	27-3/4" W x 16-1/4" H (452 Sq. In.)

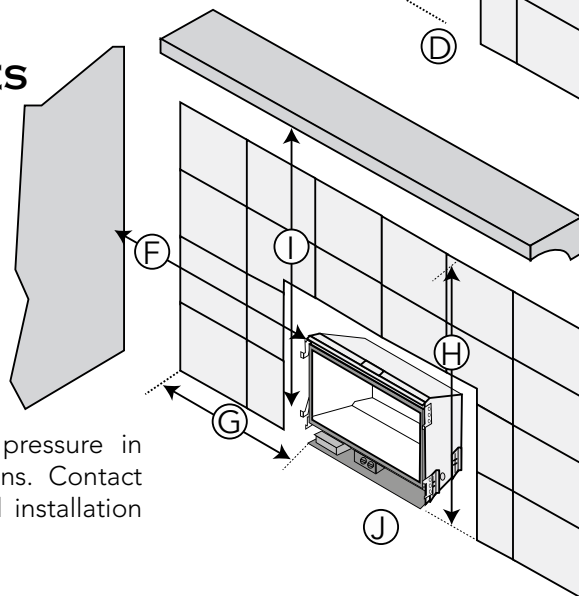
MINIMUM FIREPLACE REQUIREMENTS

	My Fireplace Dimensions
A - Height (Front)	23-3/4" (603mm) _____
B - Width (Front)	31" (787mm) _____
Width (Back)	21-1/4" (540mm) _____
C - Depth	15" (381mm) _____
D - Hearth	Not Required _____
E - The gas line should be installed prior to installing the heater.	



CLEARANCES TO COMBUSTIBLES & HEARTH PROTECTION

F - Sidewall to Insert	5" (127mm)
G - Side Facing to Insert	5" (127mm)
H - Top Facing to Insert	38" (966mm)
I - Mantel, 0"-12" Depth	36 1/2" (928mm)
J - Hearth Extension	Not Required

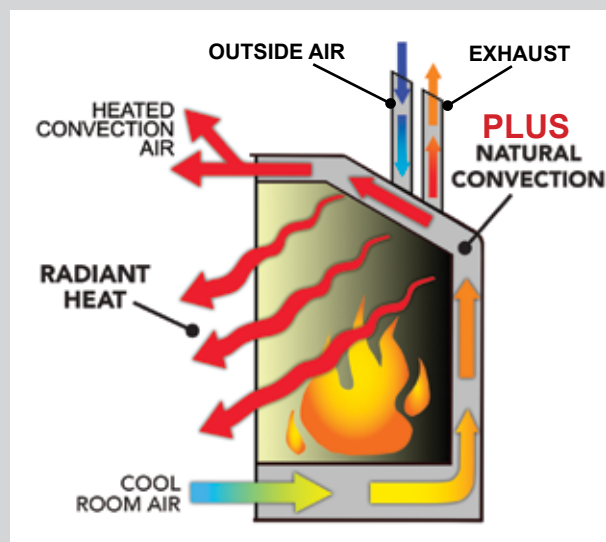


*Heating Capacity can be affected by negative pressure in the home and by prevailing atmospheric conditions. Contact local building or fire officials about restrictions and installation requirements in your area.



RADIANT PLUS™ GAS INSERTS OFFER FEATURES YOU'RE GOING TO LOVE!

- The Dancing-Fyre™ burner and Classic Log Set are incredibly realistic and mimic an actual wood burning fire, right down to the flame pattern, highly detailed logs and glowing ember bed.
- These inserts feature a direct vent chimney system. All combustion air is drawn from outside your home, and all combustion byproducts are then vented out of your home through a new chimney liner.
- Heavy duty steel (16 & 18 gauge) construction offers years and years of dependable service.
- High-temperature ceramic glass.
- Easy to operate controls.
- Offered as a choice of either a Standing Pilot control or a GreenSmart® Basic (IPI) control system. Ask your Authorized Lopi® Dealer for a demonstration of both systems to determine which best suits you.
- Available in three sizes.
- 50% flame and heat turndown.
- All Radiant Plus™ Inserts continue to work if you lose power to your home.



RADIANT PLUS NATURAL CONVECTION

Our Radiant Plus™ gas inserts have been designed to provide comforting RADIANT heat PLUS the addition of Natural Convection around the firebox for the maximum transfer of warmth into your home.

CHOOSING THE RIGHT INSERT FOR YOUR HOME

You are at the right place, your Authorized Lopi® Dealer will determine which Radiant Plus™ Insert and surround panel will best fit with your existing fireplace.

You choose the style of face and options and your Authorized Lopi® Dealer will take care of the delivery and proper installation of your new beautiful fireplace insert.

- 1 Your existing fireplace
- 2 The proper sized Radiant Plus™ installs into your fireplace
- 3 Your existing chimney gets relined with a new metal Direct Vent Kit.
- 4 A set of surround panels will prevent room air from escaping up the chimney
- 5 Select your favorite Face and options
- 6 Welcome to the Great Indoors, your family will love the warmth and firelight for years.



**Detailed Dancing-Fyre™
Burner & Log Set**



Optional Ceramic Brick Fireback



Not available on Radiant Plus™ Small

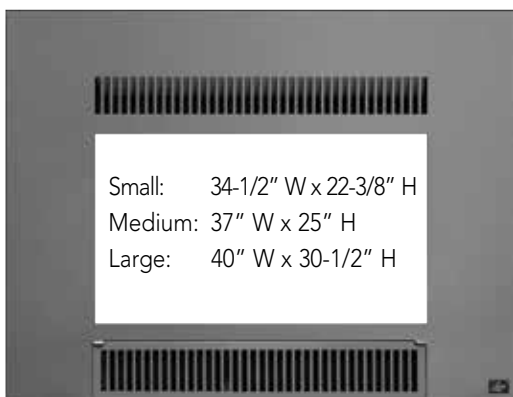
Optional Remote Control Thermostat



The optional Remote is easy-to-use and features two convenient operation modes.

- 1. Manual On/Off
- 2. Thermostat Control

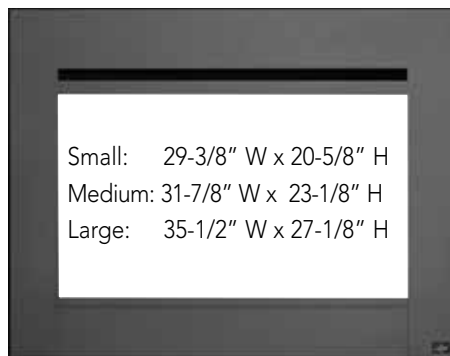
FACE CHOICES All faces feature a nearly invisible ANSI compliant safety screen.



Small: 34-1/2" W x 22-3/8" H
 Medium: 37" W x 25" H
 Large: 40" W x 30-1/2" H

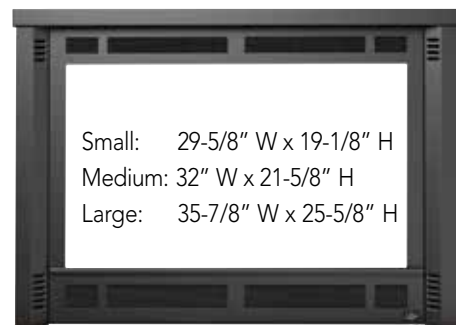
Universal Face™

(Surround panel not required with this face)



Small: 29-3/8" W x 20-5/8" H
 Medium: 31-7/8" W x 23-1/8" H
 Large: 35-1/2" W x 27-1/8" H

Times Square™ Face



Small: 29-5/8" W x 19-1/8" H
 Medium: 32" W x 21-5/8" H
 Large: 35-7/8" W x 25-5/8" H

Designer™ Face

SURROUND PANEL OPTIONS One-Piece Surround Panels are available for all three faces.

- RADIANT PLUS™ SMALL Panels: Small 37" W x 23" H
- RADIANT PLUS™ MEDIUM Panels: Small 38" W x 25" H Large 40" W x 28-1/2" H
- RADIANT PLUS™ LARGE Panels: Small 42" W X 30-1/2" H Large 44" W X" 34 H
- Custom Fit 3-Sided and 4-Sided Panels are also available through your Authorized LOPI® dealer.

CONVECTION FAN OPTION

100 CFM "Set It and Forget It" Fan; automatically turns on and off to heat your room at your preferred heat comfort level.

Your Authorized Lopi® Dealers are experts who can advise you on everything from customizing the color of your appliance to selecting appropriate venting and chimney materials. They can demonstrate Lopi® models on display, including working models actually burning.



Lopi® produces a wide variety of quality wood, pellet, and gas stoves and fireplace inserts. Find your favorite fire today by visiting: www.lopistoves.com.

LOPI® FIRE BUILDER™

Customize the right insert for you by visiting our website at www.lopistoves.com. The Lopi® Fire Builder™ can help you select the options for your insert.



KEEP THEM WARM, KEEP THEM SAFE

All Lopi® Gas Insert faces come with a built-in ANSI compliant safety screen. These screens are designed to be virtually invisible and prevent accidental contact with the hot glass surface on the fireplace insert. You may want to take additional safety measures such as adding a fire screen in front of your insert if you have small children living in or visiting your home. These precautions will allow everyone in your home to safely enjoy the comfort and warmth of your new gas insert.

YOUR LOPI® AUTHORIZED DEALER:



www.lopistoves.com
 Manufactured by
 Travis Industries Inc.,
 in Mukilteo, WA

Lopi® Gas Stoves and Inserts are protected by one or more of the following patents; U.S. 8,469,021, 7,066,170, 6,602,068, 6,443,726, 6,953,037; Canada 2755517 as well as other U.S. and Foreign Patents pending. Lopi® reserves the right to alter or improve its products at any time without notification. All trademarks belong to Travis Industries. For installation specifications refer to the Owner's Manual found on the Lopi® website. 07/2020 Printed in U.S.A. - #98800754