

X
FIREPLACE
X
XTRORDINAIR

NEXGEN-FYRE™ LARGE
FLUSH WOOD BURNING INSERTS
RECTANGULAR DOOR



**2020 EPA
CERTIFIED**



Shown with the Universal Face, seamless one-piece panel, GreenStart Igniter™ and Insert Wiring kit.

Premium Flush Wood Inserts from the Biggest Innovator in Fire

Turn your old, inefficient fireplace into a clean burning, cost-effective, and reliable source of heat with a NexGen-Fyre™ Large Flush Wood Insert by Fireplace Xtrordinair® and Lopi®. Our wood burning insert features a sleek, flush design that does not extend out onto the hearth to offer a classic, finished look that will complement any décor. All inserts feature a big, beautiful fire viewing area and concealed convection fans that increase the transfer and circulation of heat throughout your home.

Featuring NexGen-Fyre™ Technology

NexGen-Fyre™ takes our non-catalytic wood burning technology to the next level! With NexGen-Fyre™, primary and secondary combustion are harnessed to create the ultimate blended combustion system. This produces beautiful, balanced fires with double the BTU range, up to 50% greater heat output, and longer burn times than any other non-catalytic technology.

1.7 Grams/Hr. Cord Wood*	Overall Heating Efficiency of 73%*	Heating Capacity Up to 2,500 Sq. Ft. <i>May vary depending on degree of home insulation, floor plan and ambient temperature zone of the area you live.</i>	17,900 to 66,736 BTU's/Hr. with Cord wood** <i>BTU's will vary depending on fuel type, moisture content and atmospheric conditions.</i>	Up to 12 Hour Maximum Burn Time Cord Wood	3.0 Cubic Foot Firebox
-----------------------------	------------------------------------	---	--	--	------------------------

* HHV, as tested using B-415.1 using Cord Wood

** EPA tests to determine BTU output are achieved with a single load of wood at each burn rate. At home, you are likely to add more wood to your insert to maintain your desired comfort level. By the simple process of loading your fireplace insert with additional wood, you could achieve up to a 20% higher heat output than established during EPA testing.

Features

- Accommodates 24" logs.
- Heavy gauge 5/16" & 3/16" steel plate construction.
- Glass viewing area: 24 1/2" W x 13" H (319 sq. in.)
- Weight: 530 lbs. (236kg).
- Approved for masonry and zero clearance fireplaces.
- Heavy-duty masonry lined firebox for enhanced heat transfer.
- High temperature ceramic safety glass.
- A wood moisture meter comes free with this insert, allowing you to test your wood to ensure it is dry and will burn efficiently.
- Optional adjustable offset adapter allows for installation into fireplaces with limited space.
- Optional Insert Wiring Kit allows for a hard-wire connection within the firebox, eliminating the convection fan power cord running across the hearth.
- Optional GreenStart® Igniter makes starting your fire as easy as a push of a button.

Surround Panels

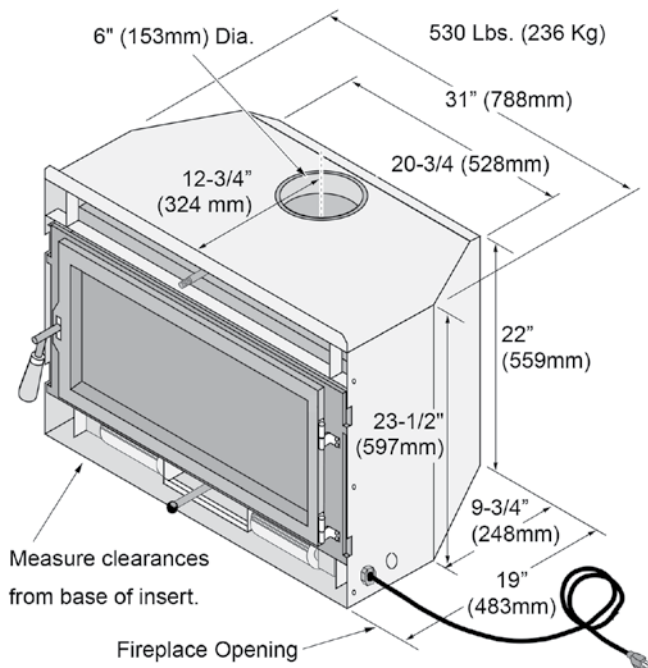
Designed to finish off the fireplace opening behind the face. These panels come in two sizes:

42" wide x 32-1/2" height

47" wide x 35" height

Custom sized rectangular and arched one-piece panels are also available through your local Fireplace Xtrordinair® or Lopi® dealer.

Dimensions



Rectangular Door Face Options



Shadowbox™ Face
37-3/4" W x 25-1/8" H



Metropolitan™ Face
35-3/8" W x 26-1/4" H



Universal Face
35-3/8" W x 25-3/4" H



Times Square™ Face
37-3/4" W x 25-3/4" H

Chimney Venting

The Large Flush Wood Insert requires a complete chimney relining of the existing chimney system. There are liner kits available for both masonry and zero clearance fireplaces (15', 25' and 35' kits).

These kits include a 6" stainless steel flex chimney, insert to chimney adapter and factory built termination components to finish off the top of your existing chimney.

Installation Specifications

Always refer to the Owner's Manual for complete installation information.
See Owner's Manual for complete hearth and R Value requirements and clearances

Minimum Fireplace Requirements

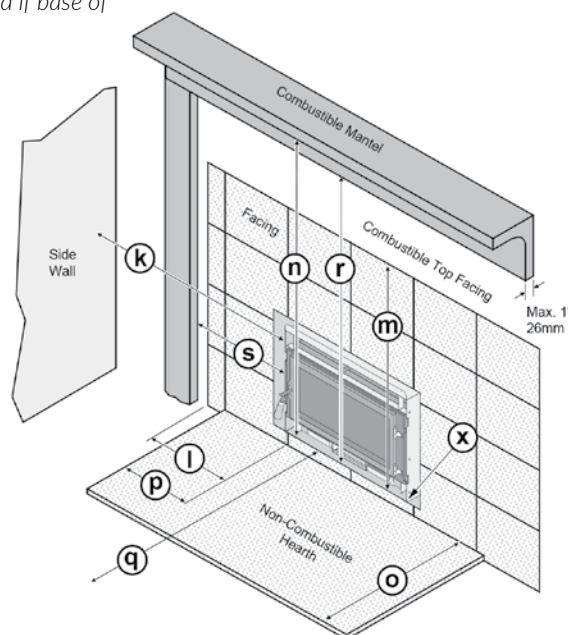
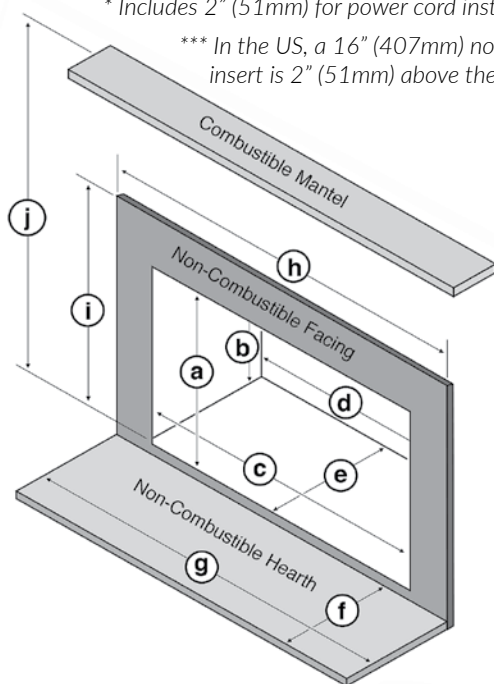
A - Height (Front)	23-1/2" (597mm)
B - Height (Rear)	22" (559mm)
C - Width (Front)*	33" (839mm) (includes 2" for power cord)
with GreenStart® Igniter	40" (1016mm) measured 3" deep - front opening
D - Width (Rear)	20-3/4" (528mm)
E - Depth	19" (483mm)
Depth with 1-1/4" Trim	N/A
F - Hearth Depth	18" (458mm)**
G - Hearth Width	47" (1093mm)
H - Facing Width	42" (1194mm)
I - Facing Height	37" (940mm)
J - Mantel Height	41" (1042mm)

Minimum Clearances to Combustibles

K - Sidewall To Insert	10-1/2" (267mm)
L - Side To Facing	5-1/2" (140mm)
M - Top Facing	37" (940mm)
N - Mantle	41" (1042mm)
O - Front Hearth	18" (458mm)**
P - Side Hearth	8" (204mm)
Q - Front of Insert	36" (915mm)
R - Mantel Breastplate	37" (940mm) Max. 1" (26mm) thick
S - Mantel Column	5-1/2" (140mm) Max. 8" (204mm) Depth
X - Extension onto Hearth	0"

* Includes 2" (51mm) for power cord installation. **1" (26mm) Clearance to fireplace walls is required for ZC Fireplaces.

*** In the US, a 16" (407mm) non-combustible hearth may be used if base of insert is 2" (51mm) above the hearth



7-Year "Real World" Warranty

Our 7-Year Warranty offers more protection on key components than the so-called "Limited Lifetime" warranties of our competitors.

YEARS 1-2: All parts and labor on your wood burning appliance, including blower and one-way freight allowance.

YEARS 3-5: All parts and labor on the firebox, door assembly, air control assemblies and one-way freight allowance.

YEARS 6-7: Parts only on firebox, door and air control assemblies

Fireplace Xtordinair® and Lopi® build inserts to last a lifetime. We'll stand behind the quality and performance of our products year after year because that's the way we do business – and you don't have to read the fine print for your peace of mind.

Find your favorite fire today by visiting: www.TravisIndustries.com



Manufactured in
Mukilteo, WA
By Travis Industries

