

ProBuilder Series™

42 Linear Deluxe Gas Fireplace



The ProBuilder 42 Linear Deluxe is shown with Bronze Glass Media, Tumbled Stone and Cast Polished Gray Custom Shop Mantel

ProBuilder Value, Premium Features

Introducing the new ProBuilder 42 Linear Deluxe! This model is the perfect choice for anyone seeking the elegant style, zonal heat and economical price point of the ProBuilder Series™, while also wanting enhanced performance and aesthetic features like the GreenSmart® Remote, 180 CFM fan and under-lit Accent Lights! Also notable on the Deluxe model is the absence of a control door, giving the fireplace a uniform frame around the glass. As the smallest model in the lineup, this fireplace is ideal for providing warmth to cozy spaces or individual rooms in the home, such as bedrooms or family rooms.



www.fireplacex.com

ProBuilder Series™ 42 Linear Deluxe Gas Fireplace

OPTIONAL ACCESSORIES - COOL SMART TV WALL™ , MEDIA AND FIREBACKS



Tumbled Stone Fyre-Art™



Driftwood & Stones Fyre-Art™



Traditional Logs Fyre-Art™



COMING SOON
Driftwood Fyre-Art™



COMING SOON
Birch Fyre-Art™



High Gloss Black Glass Fireback



COMING SOON
LedgeStone Fireback

SPECIFICATIONS

- Heating Capacity*: Up to 1,250 Sq. Ft.
- BTU/Hr. Input (NG/LP): 13,000 to 25,000 (50% turndown)
- P4 Efficiency: Deluxe: 65.74% (NG), 66.88% (LP)
- Steady State Efficiency: Up to 76.11% (NG), 77.31% (LP)

- Weight: 165 lbs. (75 kg).
- Viewing Area: Tempered Glass - 40-3/4" W x 13-3/4" T

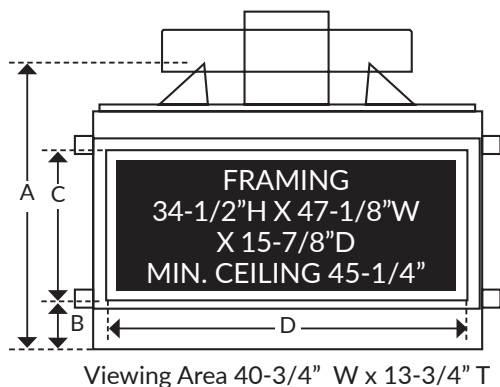
*Heating capacity will vary with floor plan, insulation, and outside temperature.

STANDARD FEATURES

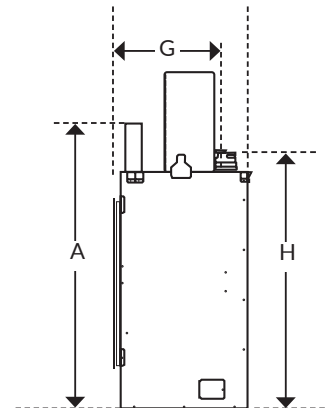
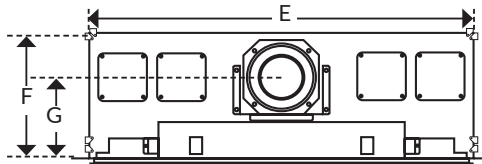
- Continuous Pilot or GreenSmart® Ignition Modes
- GreenSmart® Deluxe Remote Control
- 180 CFM Variable Speed Convection Fan
- Under-lit Accent Lights illuminate media ember bed
- Choice of colored glass or rock ember media bed

INSTALLATION without CoolSmart TV Wall™ Kit Option

NOTE: ALWAYS REFER TO THE PRODUCT OWNER'S MANUAL FOR COMPLETE INSTALLATION INSTRUCTIONS. FAILURE TO DO SO CAN RESULT IN VOIDING OF THE WARRANTY AND PRESENT A POTENTIAL SAFETY HAZARD! MANUAL CAN BE FOUND AT WWW.FIREPLACEX.COM



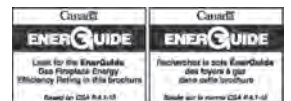
- A - 34-1/2"(877 mm)
- B - 4-7/8"(124 mm)
- C - 20-1/2"(521 mm)
- D - 45-3/4"(1163 mm)
- E - 47-1/8"(1197 mm)
- F - 15-7/8"(404 mm)
- G - 9-3/4"(248 mm)
- H - 31" (788 mm)



www.fireplacex.com

Manufactured By
Travis Industries, Inc.
Mukilteo, WA

FireplaceX Gas Fireplaces are protected by one or more of the following patents; U.S. 8,469,021, 7,066,170, 6,602,068, 6,443,726, 6,953,037; Canada 2755517 as well as other U.S. and Foreign Patents pending. Please refer to the Owner's Installation Manual for complete installation requirements. Photos and illustrations are for descriptive purposes only .



© 2019 T. I. 98800933