

ProBuilder Series™

72 Linear Deluxe Gas Fireplace



The ProBuilder 72 Linear Deluxe is shown with Platinum Glass Media, Traditional Log Set, and Black Glass Fireback

Modern Luxury at an Affordable Price Tag

Introducing the new ProBuilder 72 Linear Deluxe™! This massive fireplace is a showstopper that is perfectly suited for great rooms and grand spaces, featuring contemporary styling and 1,080 square inches of glass with symmetrical, uniform framing. This model is a great choice for anyone seeking a dynamic, price point fireplace with enhanced performance and aesthetic features, such as under-lit Accent Lights, a 180 CFM fan and the GreenSmart® Remote Control.

ProBuilder Series™ 72 Linear Deluxe Gas Fireplace

OPTIONAL ACCESSORIES - FYRE-ART™, FIREBACKS, AND COOL SMART TV WALL™



Tumbled Stone Fyre-Art™



Driftwood & Stones Fyre-Art™



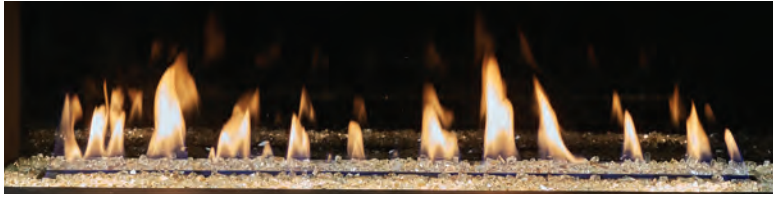
Traditional Logs Fyre-Art™



Driftwood Fyre-Art™



Birch Fyre-Art™



High Gloss Black Glass Fireback



Ledgestone Fireback

SPECIFICATIONS

- Heating Capacity*: Up to 2,500 Sq. Ft.
- BTU/Hr. Input (NG/LP): 23,000 to 45,000 (50% turndown)
- P4 Efficiency: Deluxe: 68% (NG) 66.23% (LP)
- Steady State Efficiency: Up to 73.34 (NG) Up to 75.80 (LP)

- Weight: 275 lbs. (125 kg)
- Viewing Area: Tempered Glass - 70-3/4" W x 13-3/4" T

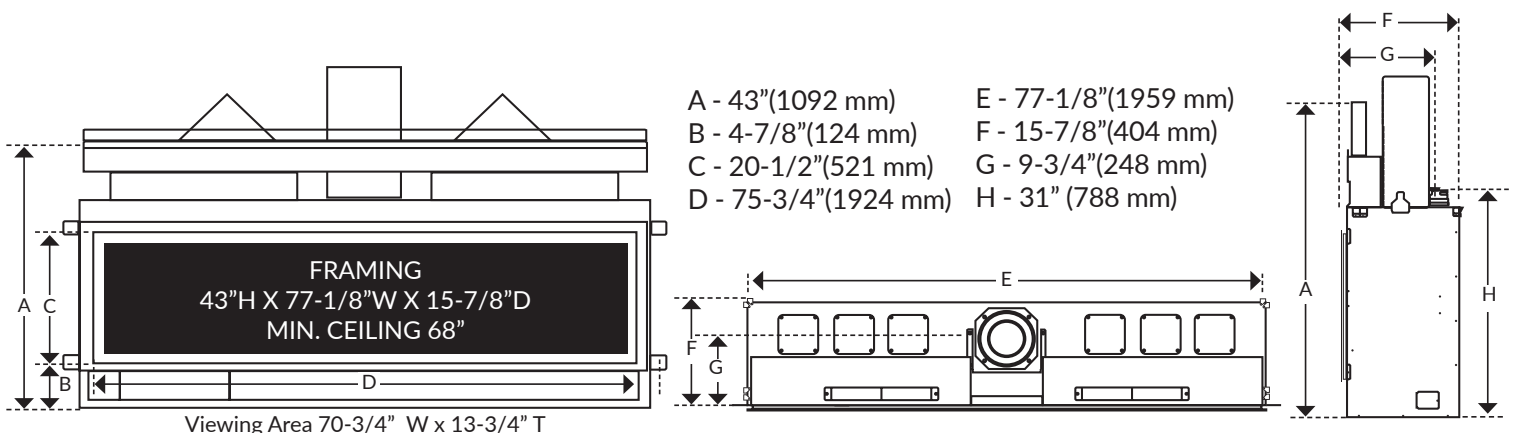
*Heating capacity will vary with floor plan, insulation, and outside temperature.

STANDARD FEATURES

- Continuous Pilot or GreenSmart® Ignition Modes
- GreenSmart® Deluxe Remote Control
- 180 CFM Variable Speed Convection Fan
- Under-lit Accent Lights illuminate media ember bed
- Choice of colored glass or rock ember media bed

INSTALLATION without CoolSmart TV Wall™ Kit Option

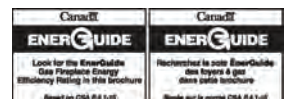
NOTE: ALWAYS REFER TO THE PRODUCT OWNER'S MANUAL FOR COMPLETE INSTALLATION INSTRUCTIONS. FAILURE TO DO SO CAN RESULT IN VOIDING OF THE WARRANTY AND PRESENT A POTENTIAL SAFETY HAZARD! MANUAL CAN BE FOUND AT WWW.FIREPLACEX.COM



www.fireplacex.com

Manufactured By
Travis Industries, Inc.
Mukilteo, WA

FireplaceX Gas Fireplaces are protected by one or more of the following patents: U.S. 8,469,021, 7,066,170, 6,602,068, 6,443,726, 6,953,037; Canada 2755517 as well as other U.S. and Foreign Patents pending. Please refer to the Owner's Installation Manual for complete installation requirements. Photos and illustrations are for descriptive purposes only.



© 2019 T. I. 98800935