

# 564 TRV 35K Clean Face Deluxe

## PREMIUM TRADITIONAL GAS FIREPLACE

**FIREPLACE**  
**XTRORDINAIR**  
FIREPLACEX.COM



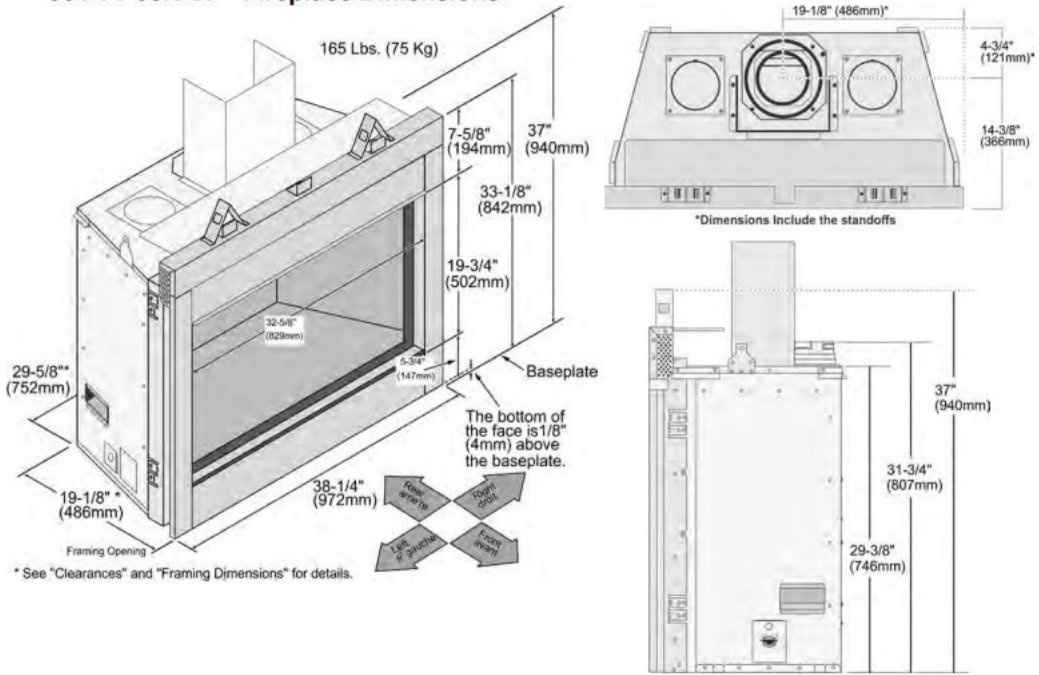
*This sitting room features the 564 TRV 35K Clean Face Deluxe with the 2" Trim Kit, Classic Oak Log Set, and Stucco Fireback options.*

The 564 TV 35K Deluxe is a mid-sized fireplace that delivers big heat. With a 35,000 BTU input, this high output heater is ideal for larger spaces in your home or colder climates. This fireplace features massive dancing flames, with the Ember-Fyre® II Burner and realistic Ember-Glo™ ember bed lighting. The 564 Top Vent (TV) 35K is available with our selection of designer faces, or as a "Clean Face" model with a sleek, decorative trim. You also have the choice between highly detailed Classic Oak or Birch Log Sets.

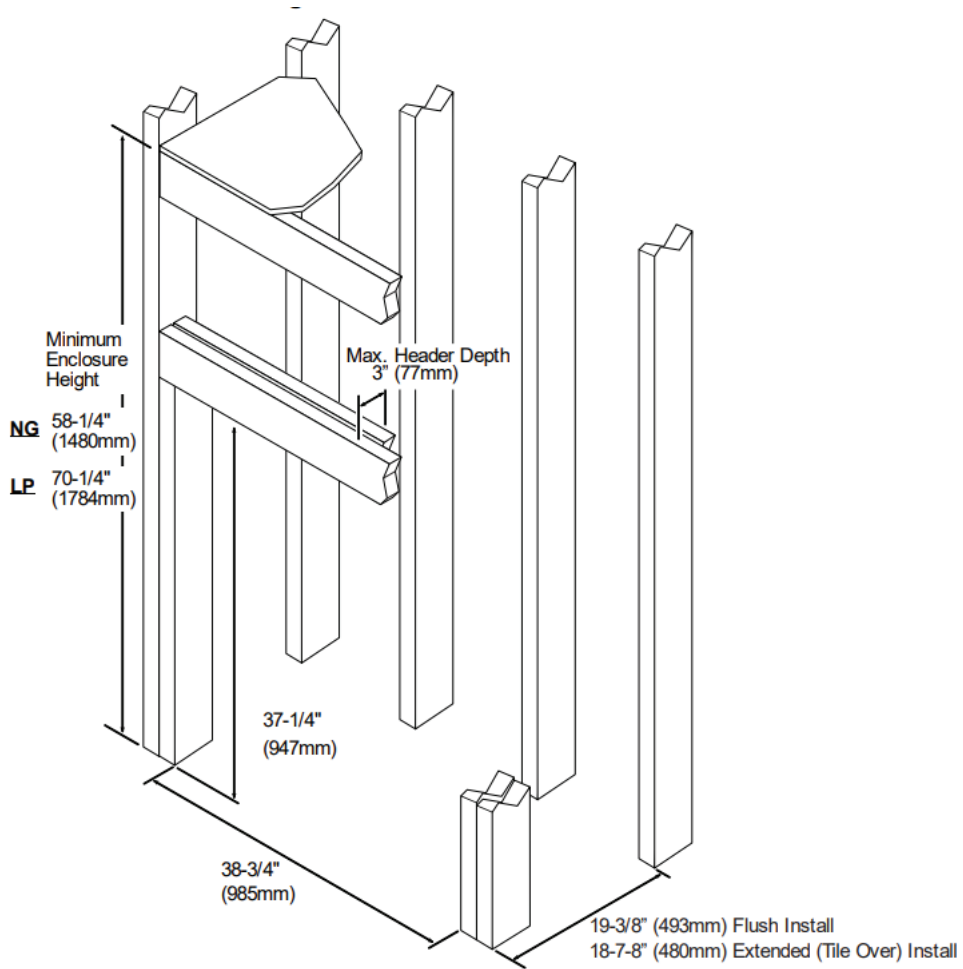
This fully loaded **Deluxe** fireplace features the GreenSmart® Remote Control, 180 CFM convection fan, Accent Lights, and is compatible with the optional CoolSmart TV Wall™ Kit.

- Viewing Area: Ceramic Glass: 29-3/8" W x 16-3/8" H (481 Sq. In.)
- Heating Capacity: Up to 1,700 Sq. Ft.
- BTU Input Per Hour: 12,000 (NG), 7,500 (LP) to 35,000 (NG/LP)
- Steady State Efficiency: Up to 82.77% (NG), 84.36% (LP)
- EnerGuide P4 Efficiency: 75.07% (NG), 75.80% (LP)

# Dimensions



# Standard Framing Dimensions



Scan for Installation Manual



**FIREPLACE**  
**XTRORDINAIR**

Manufactured in  
Mukilteo, WA  
By Travis Industries

© 10/2021