

AGP™ PELLET BURNING INSERT



NEVER BE COLD AGAIN!

The AGP™ Pellet Fireplace Insert is easy to use, easy to own and easy to live with. AGP stands for ALL GRADES of wood pellets which this insert is designed to burn. Burning multiple grades of pellets is an environmentally sound way to heat your home because the pellets are made from all-natural wood by-products.

This pellet insert requires very low maintenance and comes with an easy removal ash pan. Its quick flue disconnect simplifies the little cleaning that needs to be done on the unit. The AGP's hopper size allows for more than one bag of pellet fuel and 40-70 pounds of pellets can be loaded into it at once. Its unique horizontal rotary disk feed system (HRD) delivers all grades of pellets without jamming, overfeeding or burn backs. The AGP pellet insert is easy to operate and maintain while heating your home efficiently.

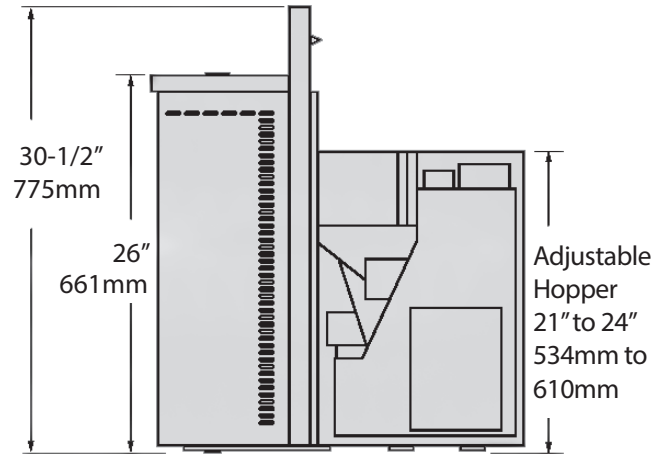
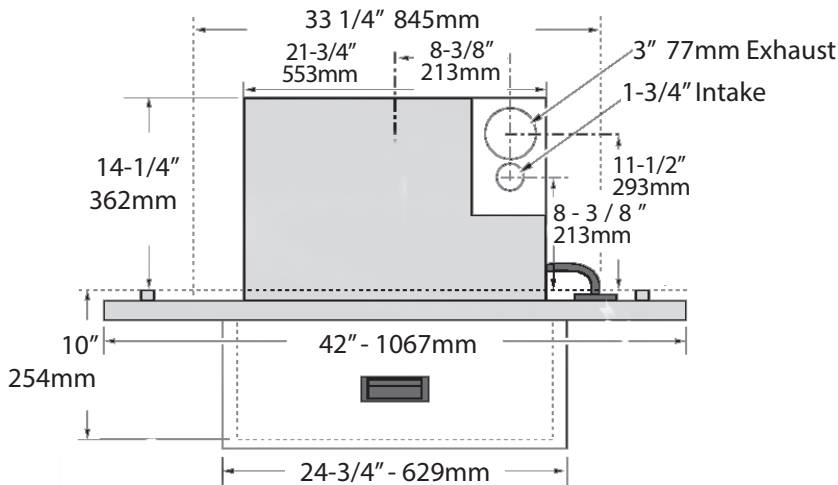


SPECIFICATIONS

- Heating Capacity*: Up to 2,000 square feet
- Emissions: 0.98 Grams Per Hour
- Hopper Capacity: 40 to 70 Lbs
- Maximum Burn Time: Up to 50 Hours
- Efficiency: Up to 76%
- EPA Tested BTU Range: 8,320 to 33,686
- Burn Rate: 1.4 to 5 Pounds Per Hour
- Venting: 3"
- Glass Viewing Area: Ceramic Glass 14-3/8" W x 9-1/4" H, 127 Sq. In.

* Heating capacity may vary depending on degree of home insulation, floor plan and ambient temperature zone of the area you live.

DIMENSIONS



Use these illustrations as a guide only. For complete installation instructions please refer to your Lopi Dealer or go to the AGP Pellet product page at www.lopistoves.com.

NOTE: Improper installation of your pellet appliance or failure to operate it in accordance to the guidelines detailed in the Owner's Manual may negate your warranty and endanger your home and family.

PELLET INSERT VENTING

Lopi has partnered with Duravent Mfg. to offer two great cost effective venting options specifically designed for the AGP insert. Ask your Lopi Dealer for details.

3" AGP Pellet Insert Masonry 20' Liner Kit. Part # 98900052

4" AGP Pellet Insert Masonry 35' Liner Kit. Part # 98900053

ELECTRICAL SPECIFICATIONS

Electrical Rating.....115 Volts, 3 Amps, 60 Hz
 Watts during Start-Up Sequence..... 350 (approximately)
 Watts during Operation..... 250 (approximately)

TESTING

Listed Pelletized Solid Fuel Burning Appliance. Also for use in mobile homes. Certified for the US and Canada. Conforms to ASTM E1509-04, Room Heater Pellet Burning Type (UM) 84 HUD; Certified to ULC S627. Tested and listed for mobile homes in accordance with OAR 814-23-900 through 814-23-909. Tested and Listed by Intertek.

FLOOR PROTECTION

The pellet insert must be installed on a non-combustible surface. A non-combustible hearth must extend 6" to the front and sides of the firebox opening. Hearth protection must be a minimum .018" thick (26 gauge).