

# DEERFIELD™ CAST IRON PELLET BURNING STOVE



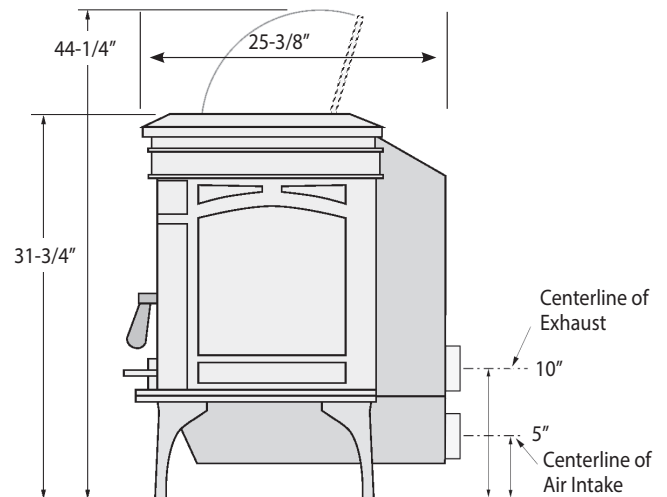
**THIS MODEL QUALIFIES FOR THE 30% USA TAX CREDIT  
ON THE PURCHASE, VENTING AND INSTALLATION COSTS**  
PLEASE CONSULT WITH YOUR TAX ADVISOR TO CONFIRM YOUR ELIGIBILITY FOR THIS TAX CREDIT

## PREMIUM, LARGE CAPACITY CAST IRON PELLET STOVE

The Deerfield™ combines beautifully proportioned European castings with next generation technology, and optimum performance to bring you a revolutionary pellet stove that is both elegant and easy to live with. Graceful lines, a sleek glass fuel loading door and a large, mirrored ceramic glass viewing area offer a sophisticated look that will complement any home's décor.

Designed to burn all grades of wood pellet fuel, the Deerfield™ features long burn times, up to 35 hours\* and efficient heat output that is evenly distributed throughout your home. A 25 pound cast iron heat exchanger significantly produces more heat when compared to traditional designs.

\* Longer burn times are possible when using the on-board thermostat



## SPECIFICATIONS

- Heating Capacity\*: Up to 2,500 square feet
- Emissions: 0.79 Grams Per Hour
- Hopper Capacity: 60 Lbs
- Maximum Burn Time: Up to 35 Hours
- Efficiency: Up to 73%
- EPA Tested BTU Range: 10,652 to 37,391
- Burn Rate: 1.7 to 6 Pounds Per Hour
- Venting: 3"
- Glass Viewing Area: Ceramic Glass, 16-3/4"W x 10-3/8"H, 165 Sq. In.

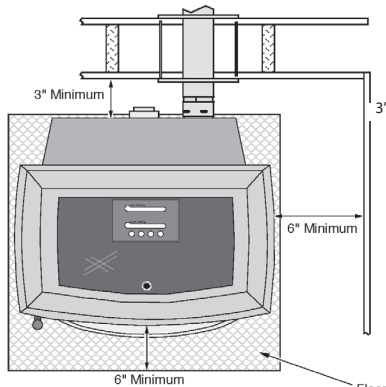
\* Heating capacity may vary depending on degree of home insulation, floor plan and ambient temperature zone of the area you live.

## MINIMUM CLEARANCES TO COMBUSTIBLE WALLS

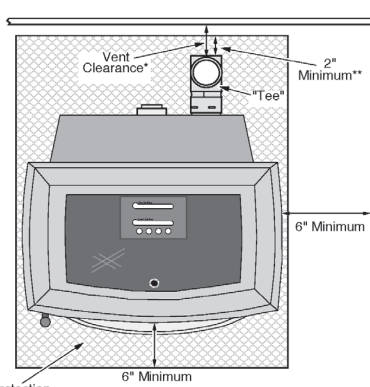
Stove clearances measured from Top of Stove. Connector clearances measured from exhaust vent.

### Straight Wall

#### Through The Wall Installation

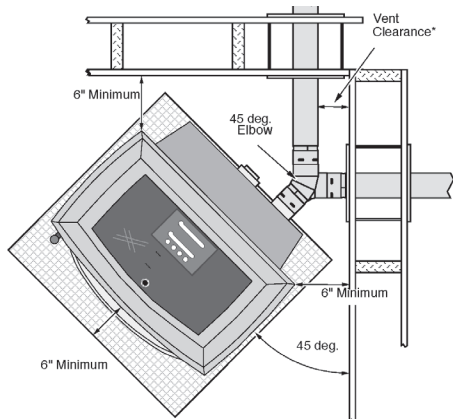


#### Interior Vertical Vent Installation

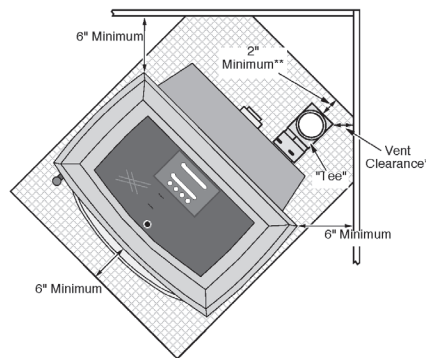


### Corner

#### Through The Wall Installation



#### Interior Vertical Vent Installation



\*Install the vent at the clearance specified by the vent manufacturer

\*\* The floor protection must extend 2" (51mm) beyond the pipe - all vent clearances must be met.

Use these illustrations as a guide only. For complete installation instructions please refer to your Lopi Dealer or go to the AGP Pellet product page at [www.lopistoves.com](http://www.lopistoves.com).

**NOTE:** Improper installation of your pellet appliance or failure to operate it in accordance to the guidelines detailed in the Owner's Manual may negate your warranty and endanger your home and family.

## FLOOR PROTECTION

The pellet stove must be installed on a non-combustible surface protector extending the full width and depth of the heater and extending 6" (153mm) in front and 2" (51mm) to each side and under the rear exhaust Tee. Hearth protection must be a minimum .018" thick (26 gauge).

## ALCOVE REQUIREMENTS

When installed in an alcove with a ceiling height less than 7 ft (2.134 M).

- Minimum Height is 60" with 6" side and 3" rear clearance to wall.
- Minimum Width is 40-1/4" with min. clearance of 3" for horizontal venting.
- Maximum depth is 48" with minimum clearance of 2" from pipe for vertical venting.

## ELECTRICAL SPECIFICATIONS

Electrical Rating: 115 Volts, 6 Amps, 60 Hz

Watts During Start-Up Sequence: 480

Watts During Operation: 300